




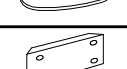
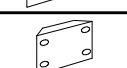
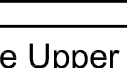
ASSEMBLY INSTRUCTIONS



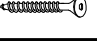
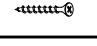


Item No : D501-20

Gabby Chair

(2 PCS PER CARTON)

Thank you for purchasing this quality product. Be sure to check all packing materials carefully for small parts, which may have come loose inside the carton during shipment. Identify and count all items and compare with the parts list and/or hardware list shown below.

PARTS LIST			
NO	DESCRIPTION	SKETCH	QTY
A	Upper X Leg (A)		2 Pcs
B	Lower X Leg (B)		2 Pcs
C	Chair Back		2 Pcs
D	Seat Panel		2 Pcs
E	Long Corner Frame		4 Pcs
F	Short Corner Frame		4 Pcs

HARDWARE LIST			
NO	DESCRIPTION	SKETCH	QTY
1	JCBC Bolt M6 x 1" w/ Spring Washer M6 and Flat Washer M6 x 4/8"		8 Pcs
2	JCBC Bolt M6 x 2 6/8" w/ Spring Washer M6 and Flat Washer M6 x 4/8"		8 Pcs
3	JCBC W Screw M7 x 2"		2 Pcs
4	FH Screw #8 x 1"		32 Pcs
5	Allen Key M4		1 Pc
6	Wood Button 9/16"		8 Pcs

CAUTIONS :

(1) **DO NOT FULLY-TIGHTEN THE NUT OR NUT BOLTS INITIALLY UNTIL ALL NUTS OR BOLT IS READY ASSEMBLED.**

(TO AVOID CAUSING DAMAGES TO THE THREAD, DO NOT OVER-TIGHTEN THE NUTS OR BOLTS.)

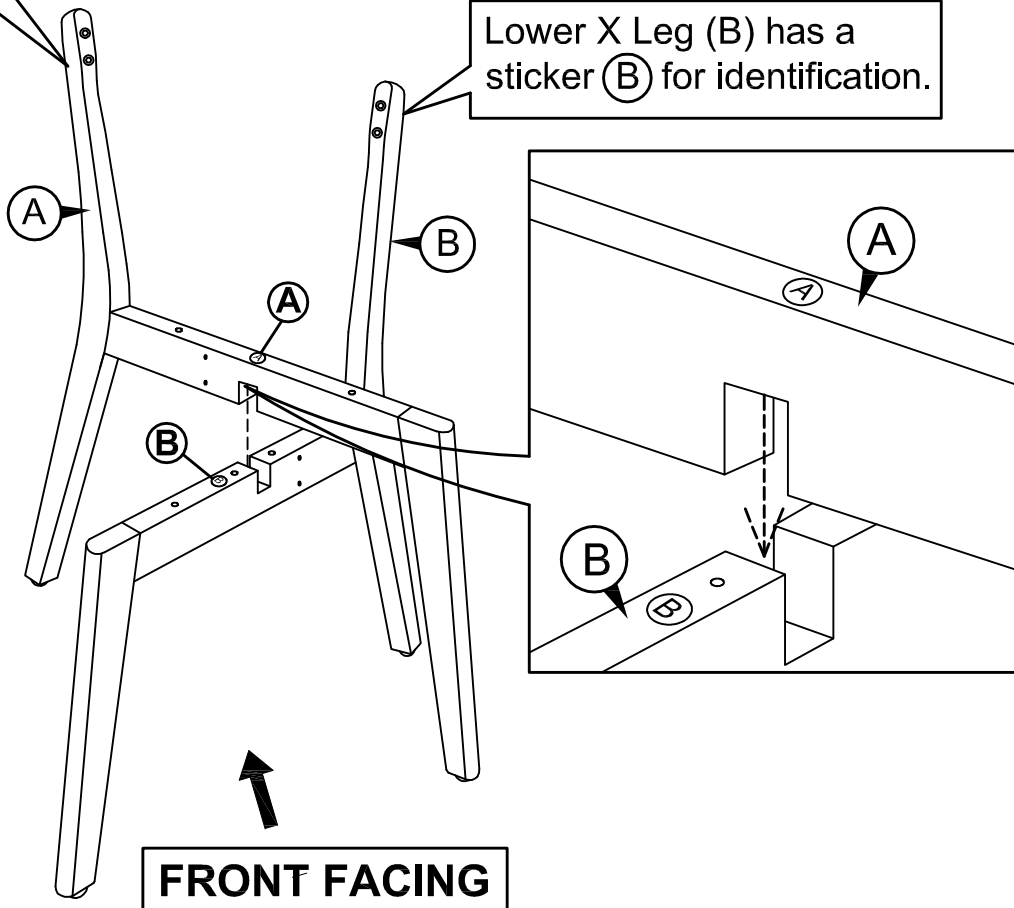
(2) **KEEP ALL HARDWARE PART OUT OF REACH OF CHILDREN.**

STEP 1 : Install the Upper X Leg (A) with the Lower X Leg (B) by crossing over the Upper X Leg (A) on top of the Lower X Leg (B) on a clean flat surface.

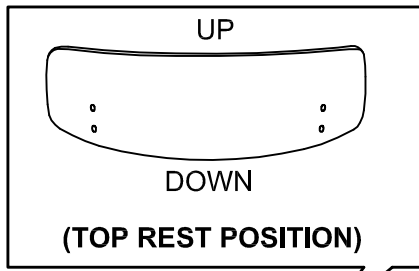
Upper X Leg (A) has a sticker (A) for identification.

Caution : Please make sure follow instruction to assemble the (A) and (B) Cross Leg. Otherwise it will affect the assembly of the Chair Back (C).

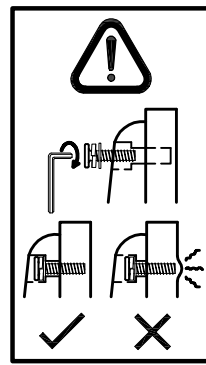
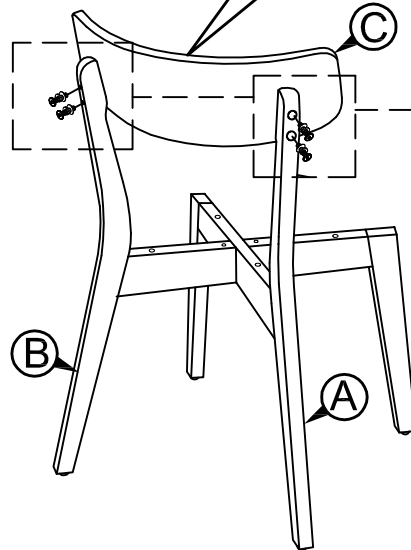
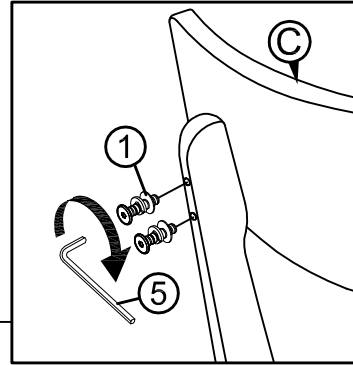
Lower X Leg (B) has a sticker (B) for identification.



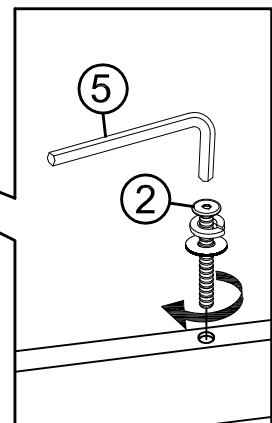
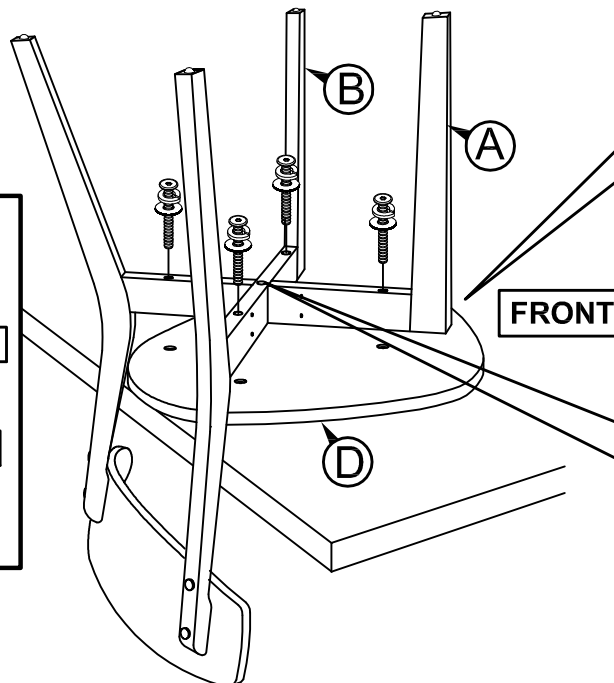
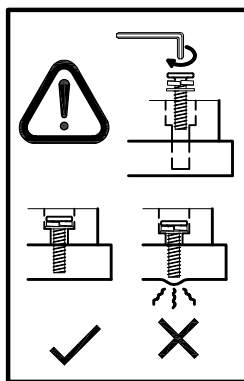
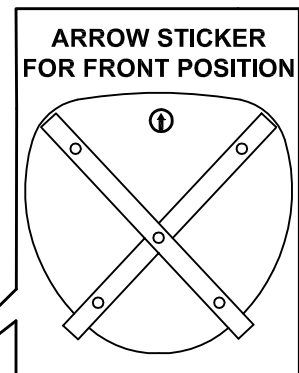
STEP 2 : Place the frame right side up and align the chair back (C) to the holes on the frame top and assemble the chair back (C) by using Allen Key (5) with hardware 1.
 *DO NOT TIGHTEN THE BOLTS.



DO NOT TIGHTEN THE BOLTS.

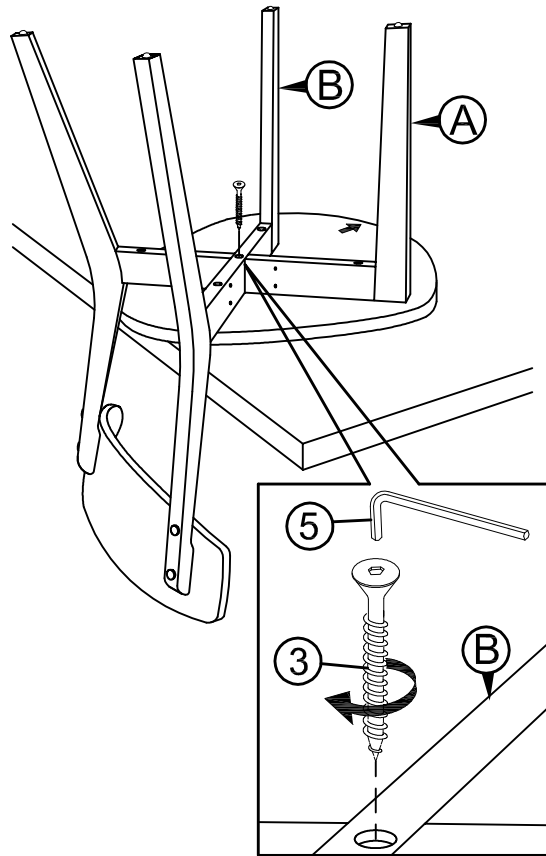


STEP 3 : Place the seat panel (D) upside down on a soft and clean surface (e.g. table top) and align the frame (A & B) to the seat panel (D). Assemble the frame (A & B) to the seat panel (D) by using Allen Key (5) with hardware 2.
 *DO NOT TIGHTEN THE BOLTS.



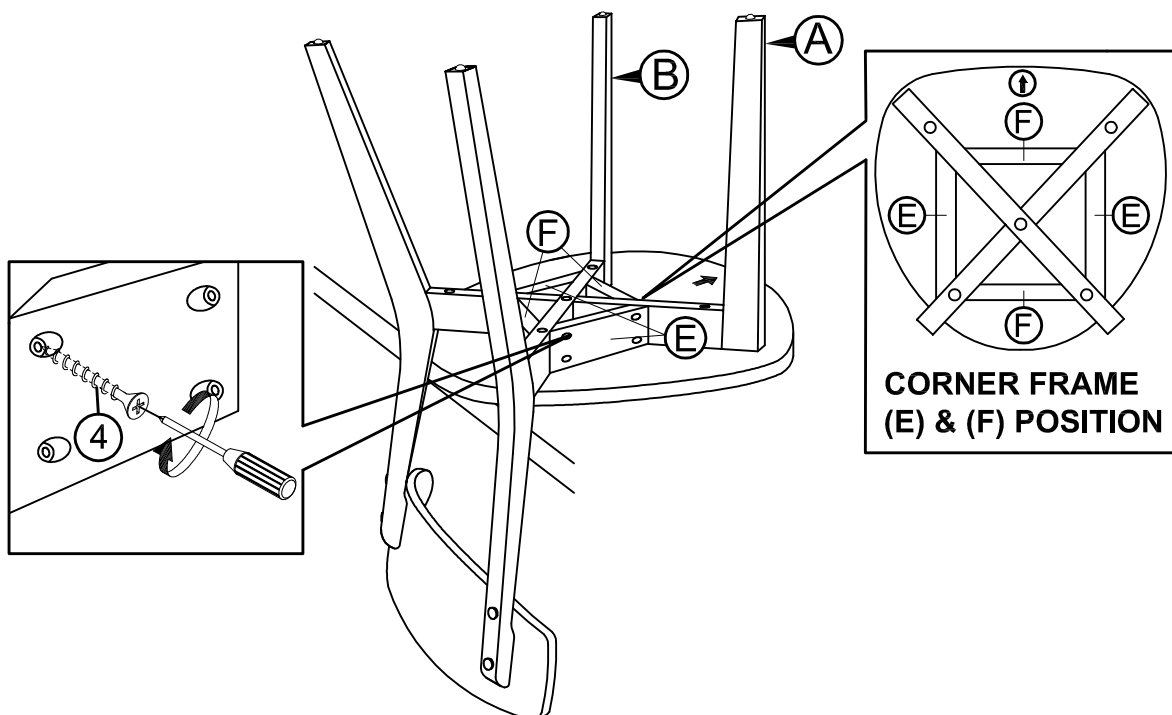
STEP 4 : Next assemble the frame (A & B) to seat panel (D) by using Allen Key (5) with hardware 3 in the center hole of the frame.

***DO NOT OVER-TIGHTEN THE SCREW.**

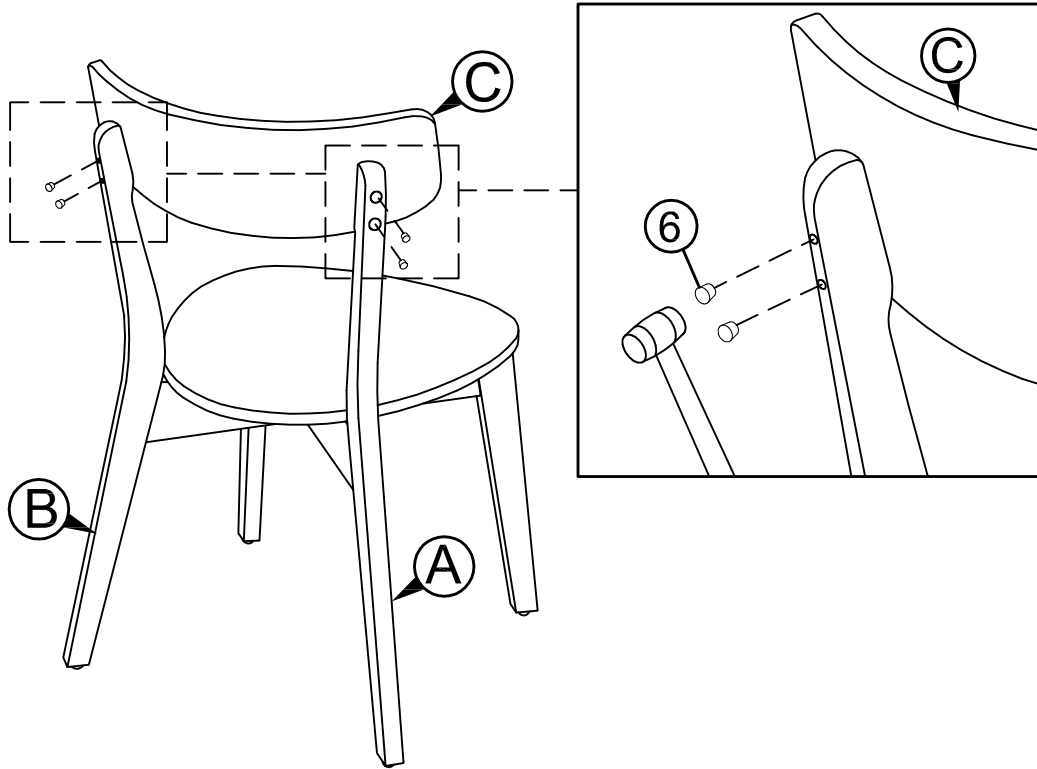


STEP 5 : Stand at the chairback side and place the Long Corner Frame (E) on the left and right of the X leg frame and place the Short Corner frame (F) on the top and bottom of the X leg frame. Assemble the frames into the X leg frame by using screwdriver with Screw (4).

***PLEASE TIGHTEN ALL BOLTS IN STEP 2 & STEP 3 USING ALLEN KEY (5) & BE CAREFULL NOT TO OVER-TIGHTEN THE BOLTS.**



STEP 6 : Install the wood button on the chair back (C) by use wood mallet to lightly tap in each wood button (6) to conceal the screw holes.



STEP 7 : The assembly is complete.

