

ASSEMBLY INSTRUCTION

PLATINA COLLECTION


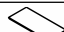


MODEL: D3639-10 DINING TABLE

Thank you for purchasing this quality product. Be sure to check all packing materials carefully for small parts, which may have come loose inside the carton during shipment. Identify and count all items and compare with the parts list and/or hardware list shown below.

Please read all instructions carefully. See the hardware and furniture part listing for guidance. Be sure you have all parts listed before beginning assembly. Place all wooden parts on a clean, flat surface to protect the finish from scratches. Follow the diagram to assemble.

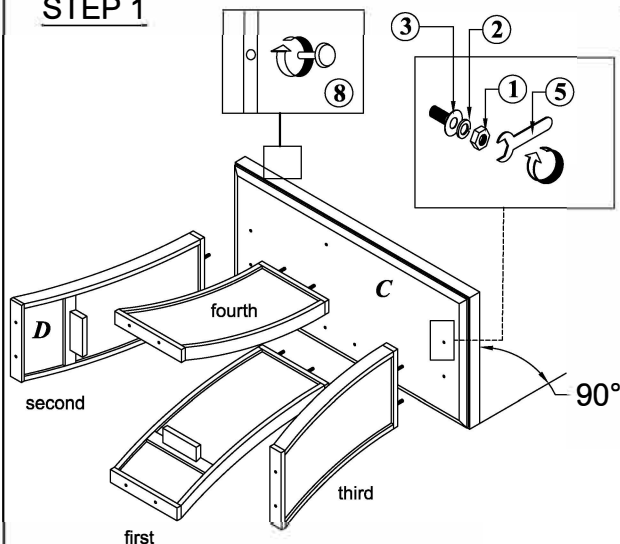
CAUTION

1. Do not fully tighten the nuts or bolts until the table is fully assembled.
2. Please tighten by hand, not by a drill. Overtightening will damage threads. Do not over-tighten.
3. Keep all hardware out of the reach of children.

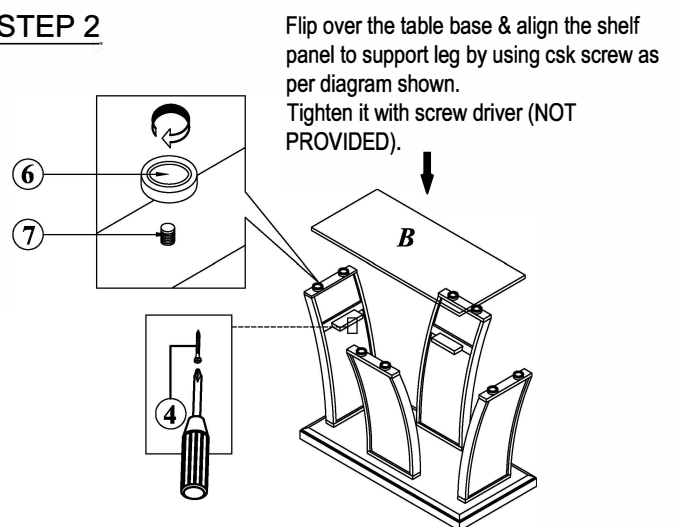
PART LIST			
ITEM	DESCRIPTION	SKETCH	QTY
A	GLASS TOP		1 PC
B	SHELF PANEL		1 PC
C	BOTTOM BASE		1 PC
D	SUPPORT LEG		4 PCS

HARDWARE LIST			
ITEM	DESCRIPTION	SKETCH	QTY
1	HEXAGON NUT 5/16"		8 PCS
2	SPRING WASHER 5/16"		8 PCS
3	FLAT WASHER 5/16"		8 PCS
4	CSK M4 x 32mm		8 PCS
5	WRENCH 12.8		1 PC
6	GLASS SUPPORT Ø 40 x 10mm		8 PCS
7	GLASS SUPPORT BOLT M6 x 20mm		8 PCS
8	ADJUSTER M6		4 PCS

STEP 1



STEP 2



FULLY SET-UP

Align the glass top & put on to table base with help of 2 people.

