

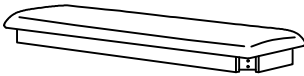
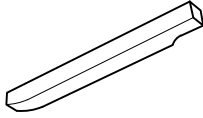
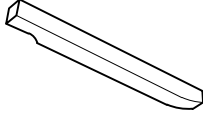
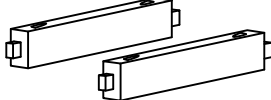
ASSEMBLY INSTRUCTIONS

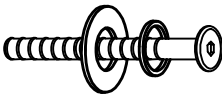
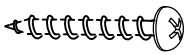

Item No : D3412-25
Harrisburg Bench
(1PC PER CARTON)

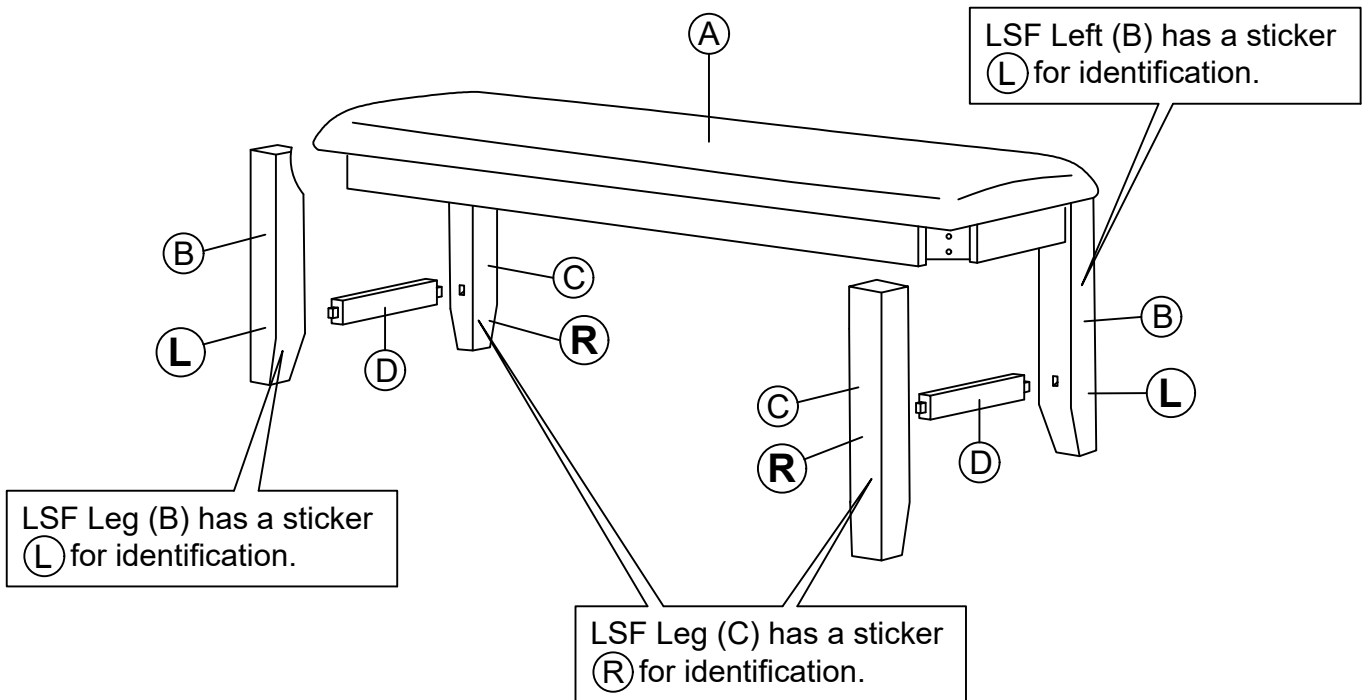
Thank you for purchasing this quality product. Be sure to check all packing materials carefully for small parts, which may have come loose inside the carton during shipment. Identify and count all items and compare with the parts list and/or hardware list shown below.

Cautions :

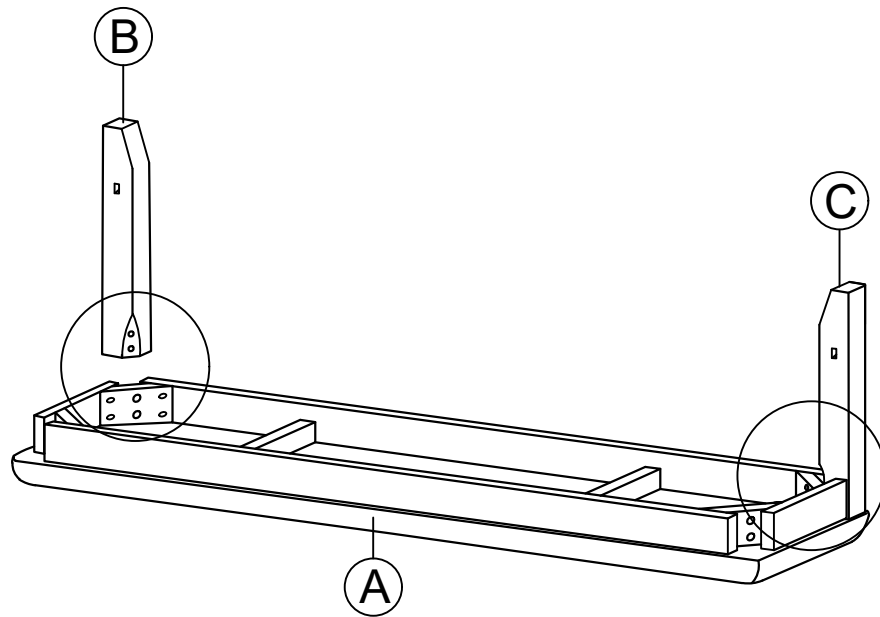
- (1) Do not fully-tighten the nut or nut bolts initially until all nuts or bolt is ready assembled.
(To avoid causing damages to the thread, do not over-tighten the nuts or bolts.)
- (2) Keep all hardware part out of reach of children.

PARTS LIST			
NO	DESCRIPTION	SKETCH	QTY
A	SEAT FRAME WITH CUSHION		1 PC
B	LEFT SIDE FACING (LSF) LEG Ⓛ		1 PC
C	RIGHT SIDE FACING (RSF) LEG Ⓡ		1 PC
D	STRETCHER		2 PCS

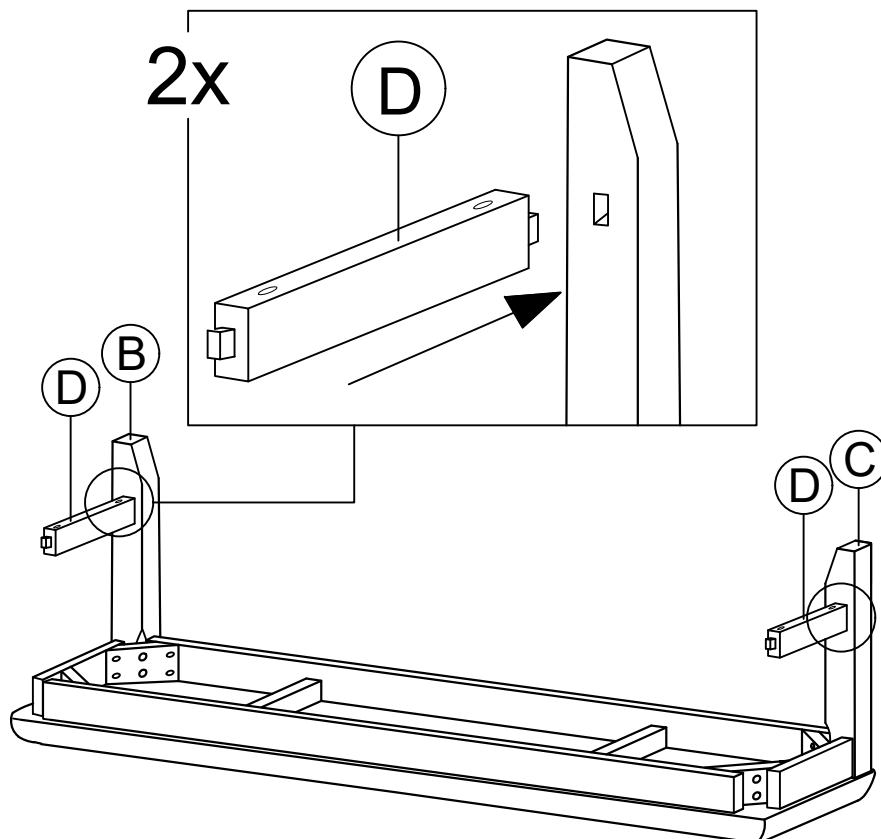
HARDWARE LIST			
NO	DESCRIPTION	SKETCH	QTY
1	BOLT 1/4" X 2 3/8" WITH LOCK WASHER & WASHER		8 PCS
2	PAN HEAD SCREW 3/16" X 1 1/4"		4 PCS
3	ALLEN KEY		1 PC



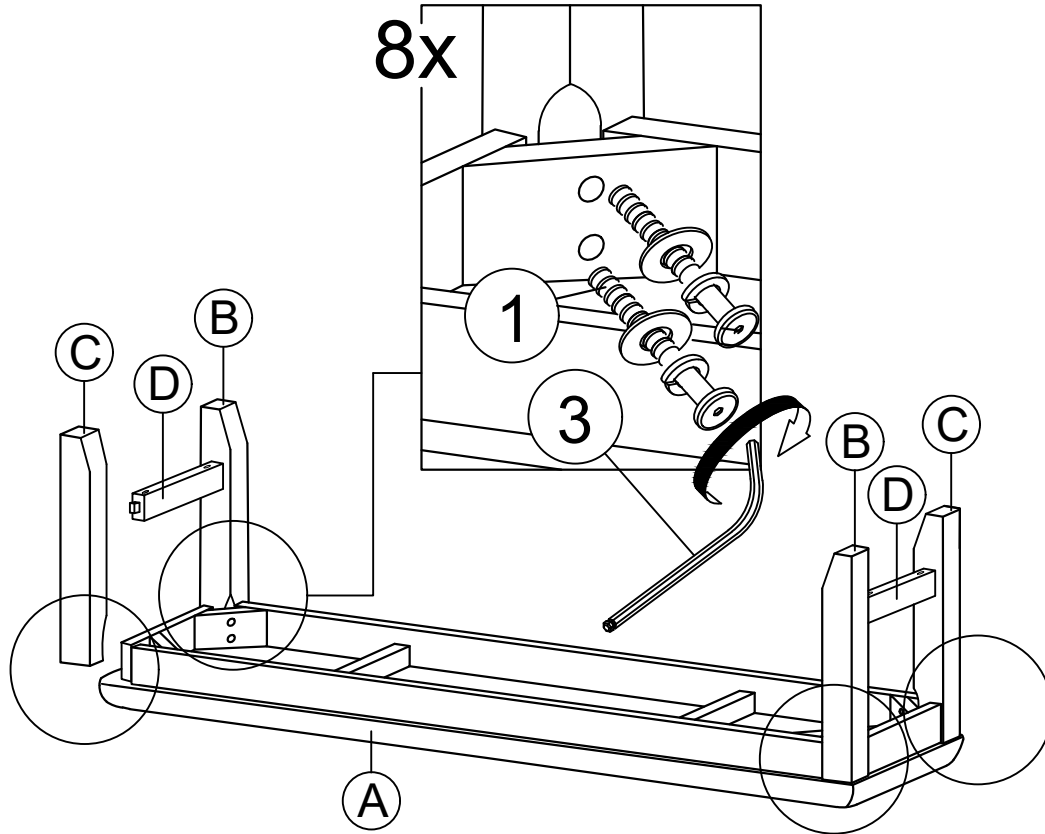
STEP 1 : Place the seat frame with cushion (A) upside down on a clean flat surface.
Then place one of the LSF Leg (B) and the RSF Leg (C) into position with the seat frame with cushion (A).



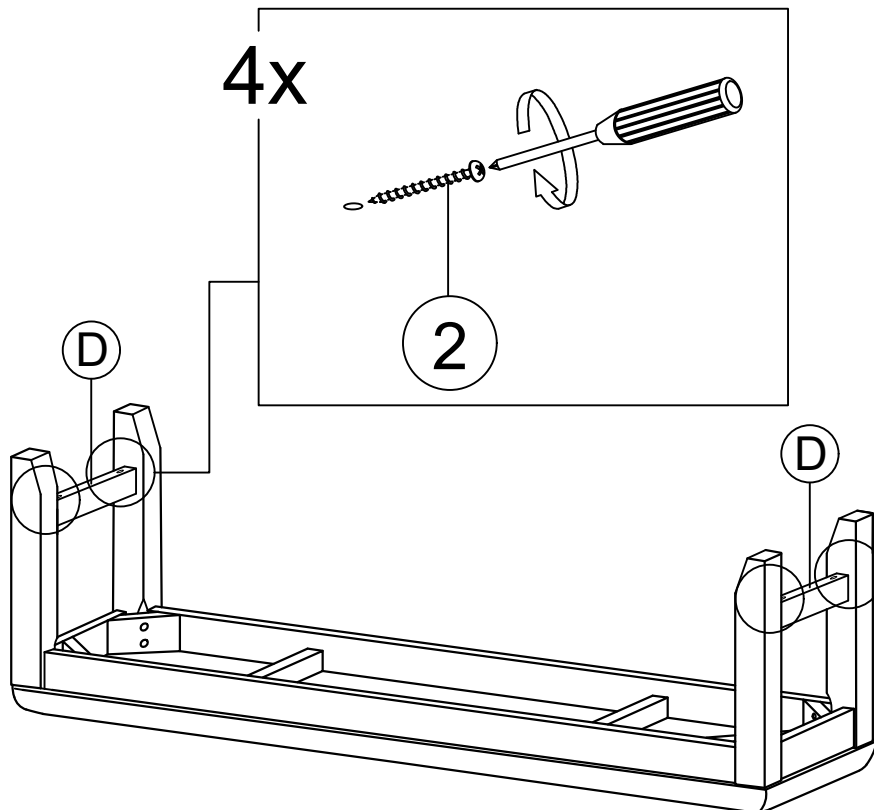
STEP 2 : Place the stretchers (D) to the LSF Leg (B) and the RSF Leg (C).



STEP 3 : Install the other RSF leg (C) and the LSF leg (B) to the seat frame with cushion (A) and stretcher (D). Then assemble all legs (C & B) to the seat frame with cushion (A) by using Allen Key (3) with hardware (1).



STEP 4 : Assemble the stretchers (D) to the all the legs (C & D) by using a screwdriver and hardware (2).



COMPLETED ASSEMBLY.

