

# ASSEMBLY INSTRUCTIONS

## Harrisburg Dining Table


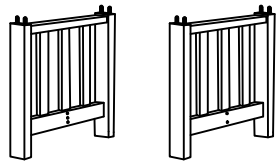

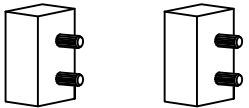
D3412-10T HARRISBURG DINING TABLE TOP

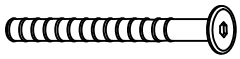


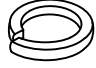




D3412-10B HARRISBURG DINING TABLE BASE

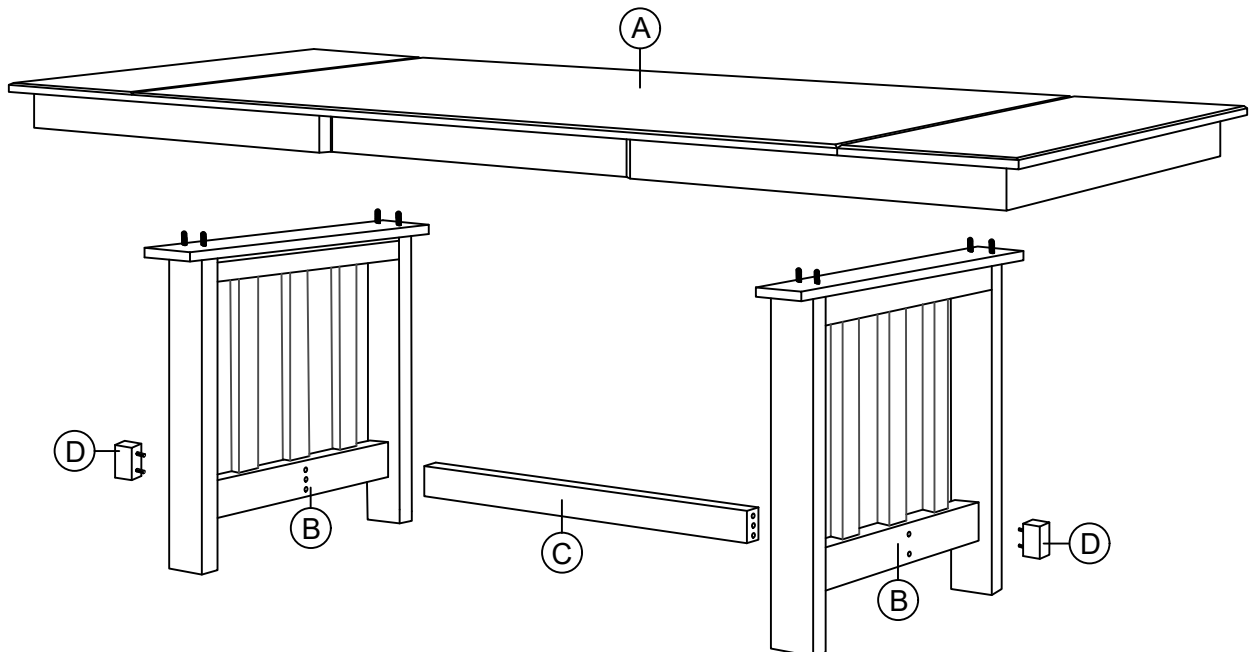
Thank you for purchasing this quality product. Be sure to check all packing materials carefully for small parts, which may have come loose inside the carton during shipment. Identify and count all items and compare with the parts list and/or hardware list shown below.

**Cautions :**

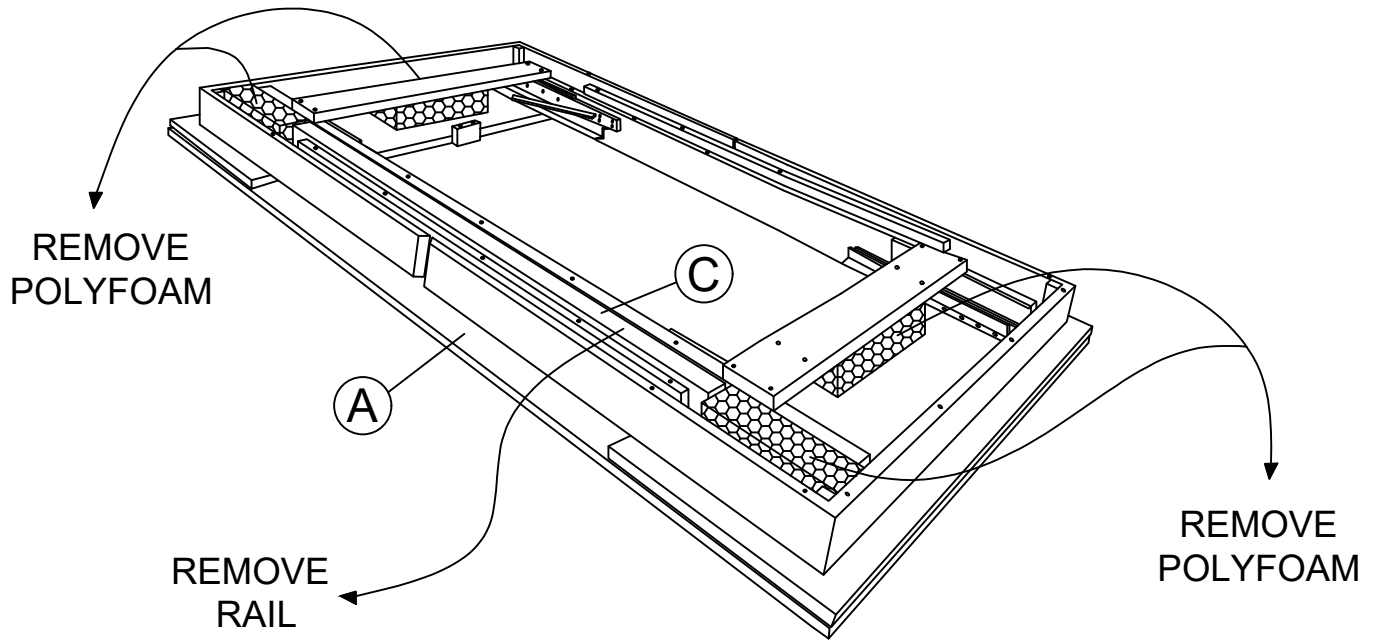
- (1) Do not fully-tighten the nuts or bolts until all nuts and bolts are assembled.  
(To avoid causing damages to the thread, do not over-tighten the nuts or bolts.)
- (2) Keep all hardware part out of reach of children.

PARTS LIST			
NO	DESCRIPTION	SKETCH	QTY
A	TABLE TOP		1 PC
B	TABLE LEG		2 PCS
C	RAIL		1 PC
D	DECORATIVE WOOD		2 PCS

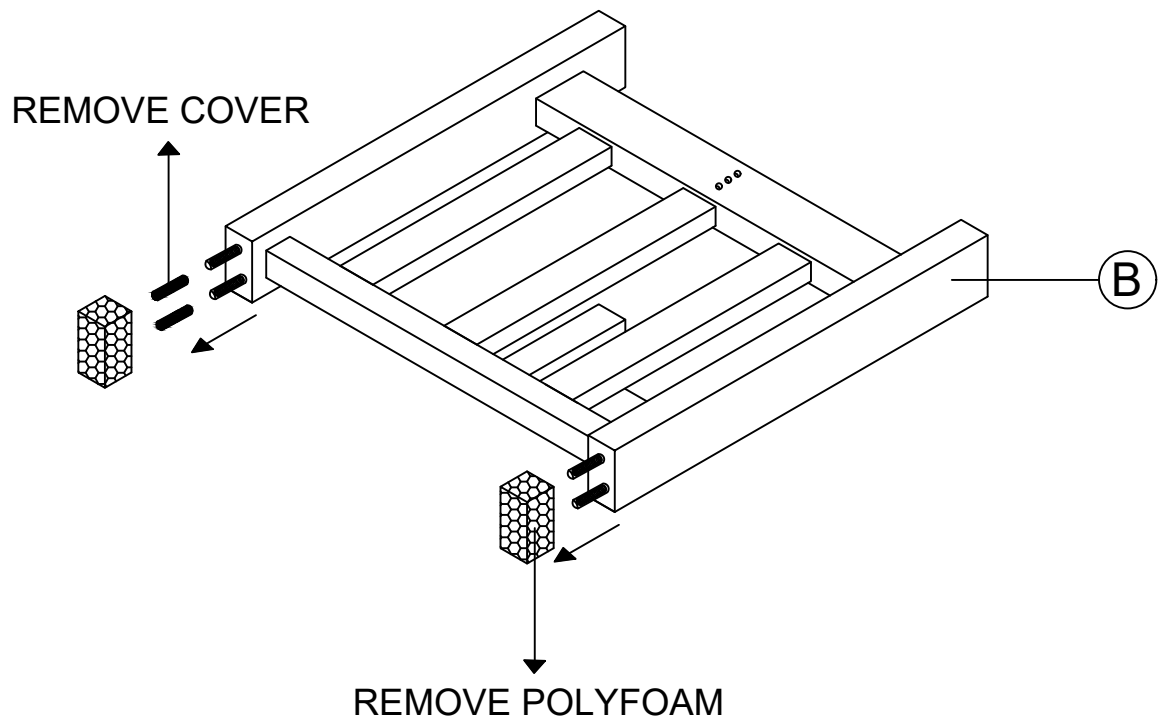
HARDWARE LIST			
NO	DESCRIPTION	SKETCH	QTY
1	BOLT 1/4" x 2"		4 PCS
2	SPRING WASHER 1/4"		4 PCS
3	HEX NUT 5/16"		8 PCS
4	SPRING WASHER 5/16"		8 PCS
5	FLAT WASHER 5/16"		8 PCS
6	WOOD DOWEL 7/16" X 1 3/16"		2 PCS
7	WRENCH		1 PC
8	ALLEN KEY		1 PC



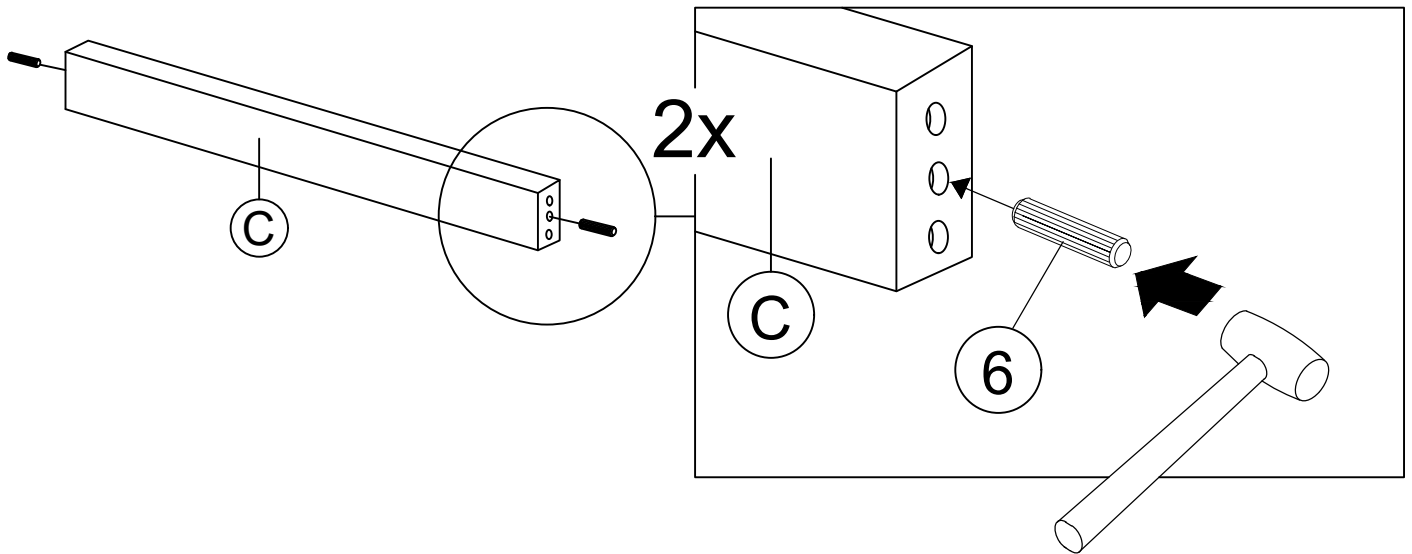
STEP 1 : Place the table top (A) upside down on a flat and clean surface. Remove all polyfoam & rail (C).



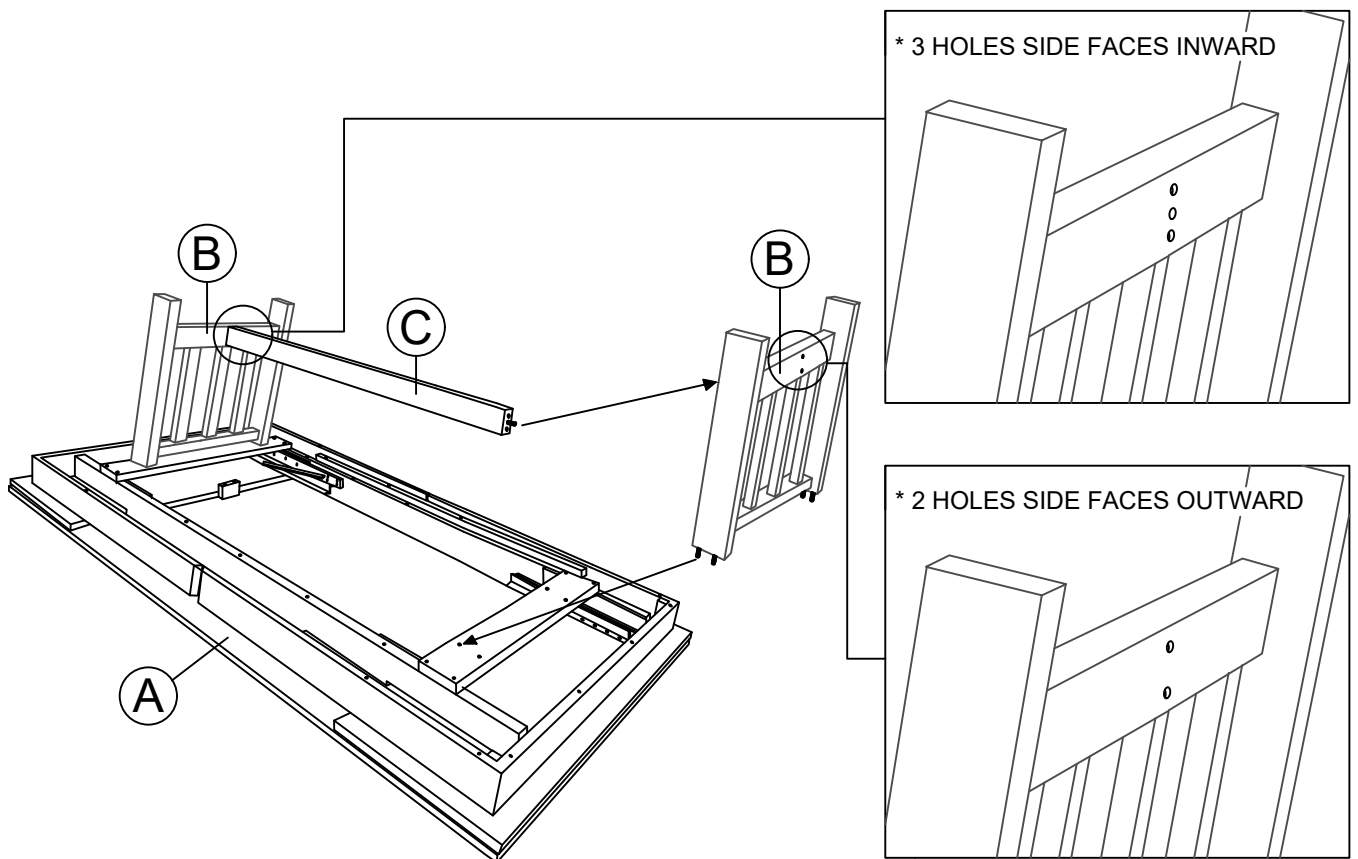
STEP 2 : Remove all polyfoam and then remove all the bolt covers on table legs (B).



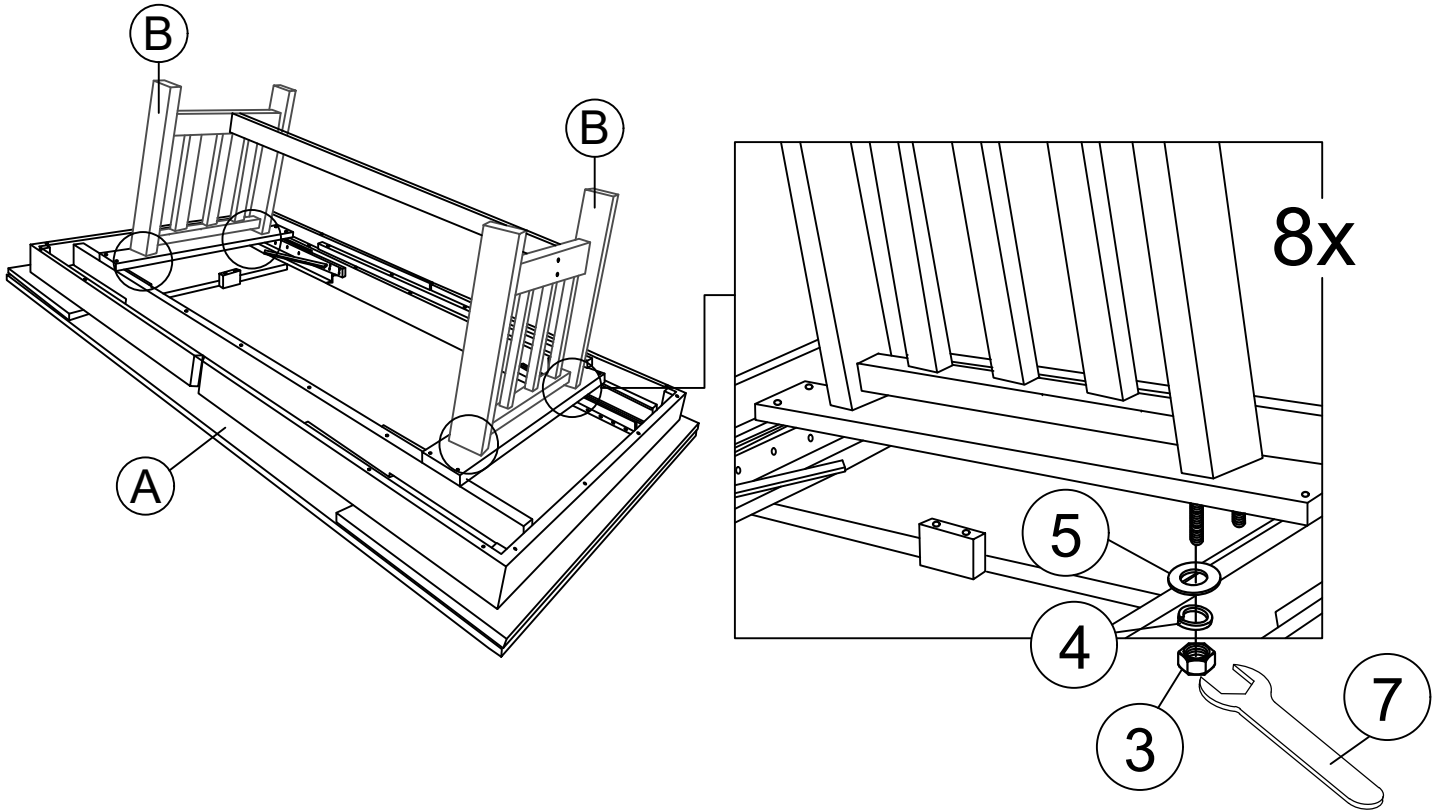
STEP 3 : Insert the Wood Dowel (6) into the center hole on each end of the Rail (C) by using a wood mallet.



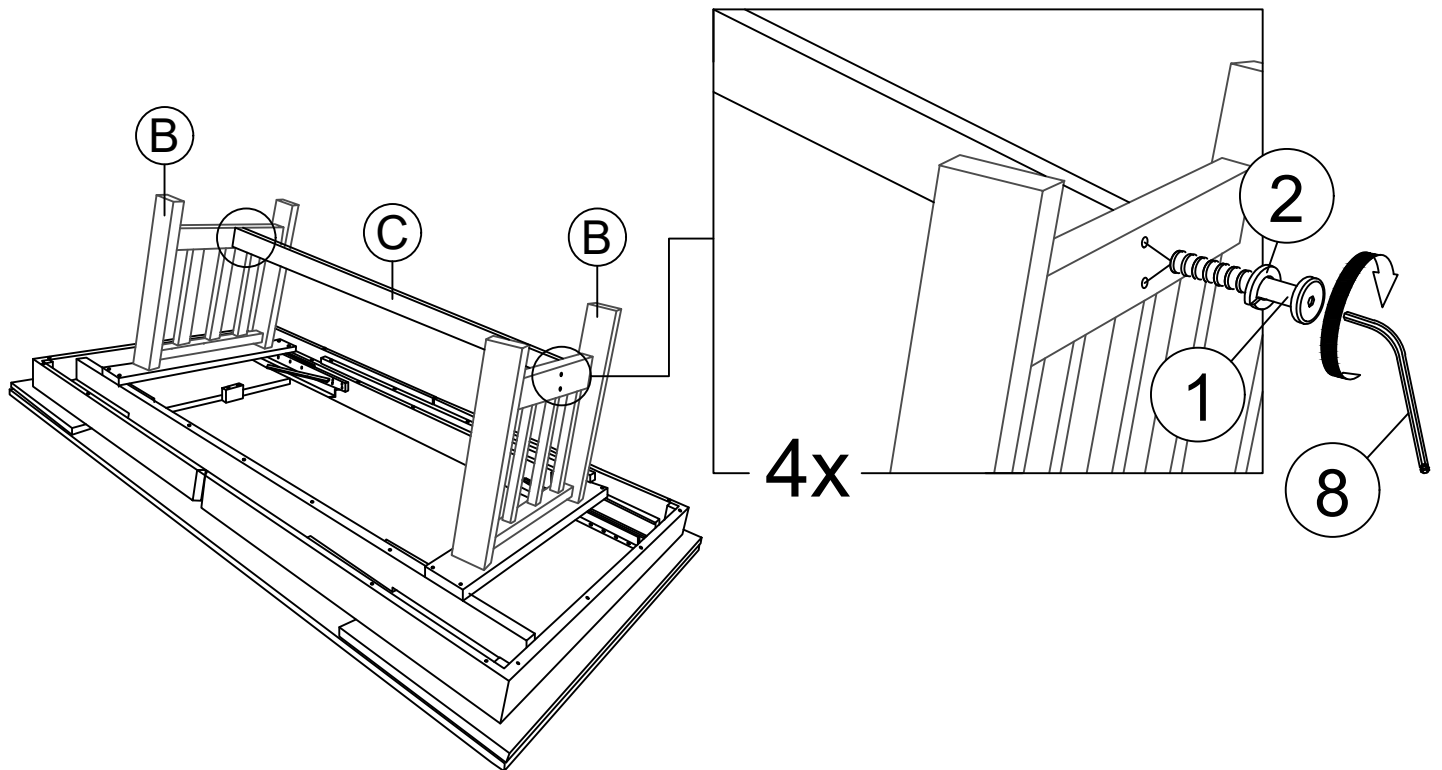
STEP 4 : Place the table legs (B) and the rail (C) into position first but do not assemble.



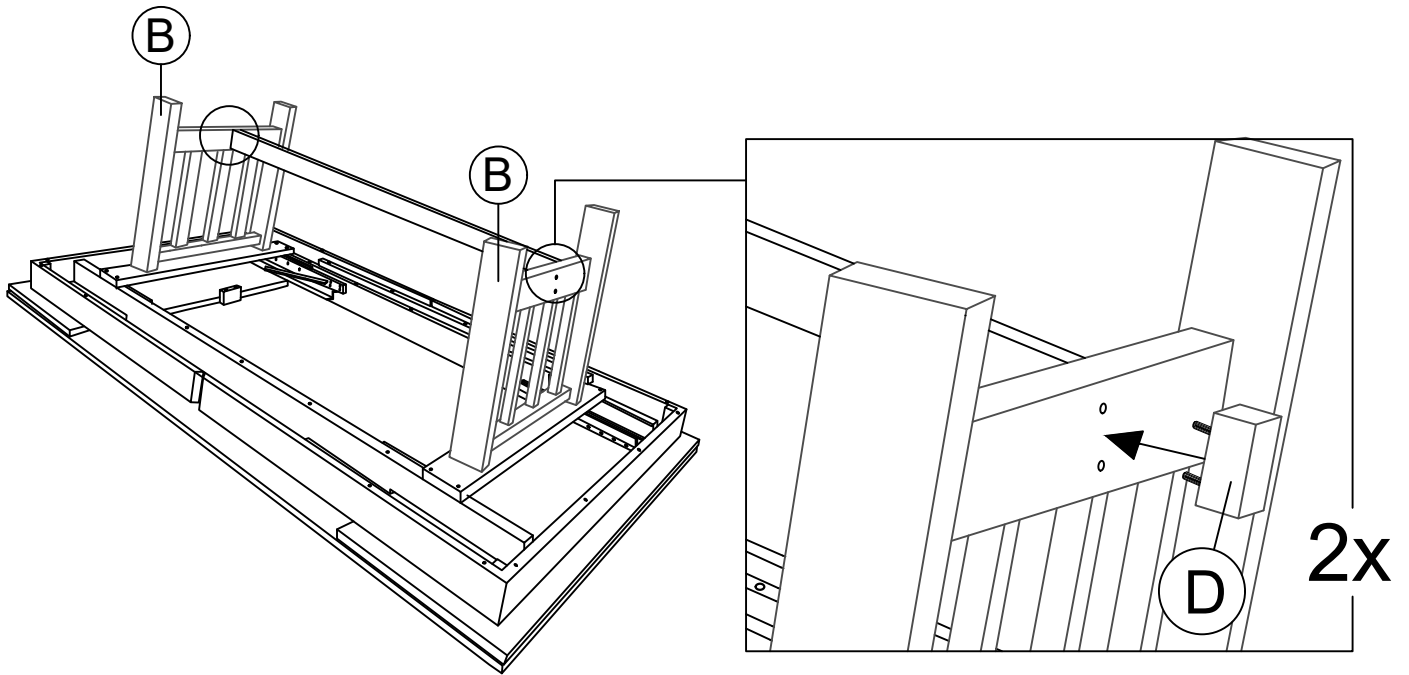
**STEP 5 :** Assemble the Table Legs (B) to the Table Top (A) by using the Wrench (7) and the hardware Nut (3), Spring Washer (4) & Flat Washer (5).



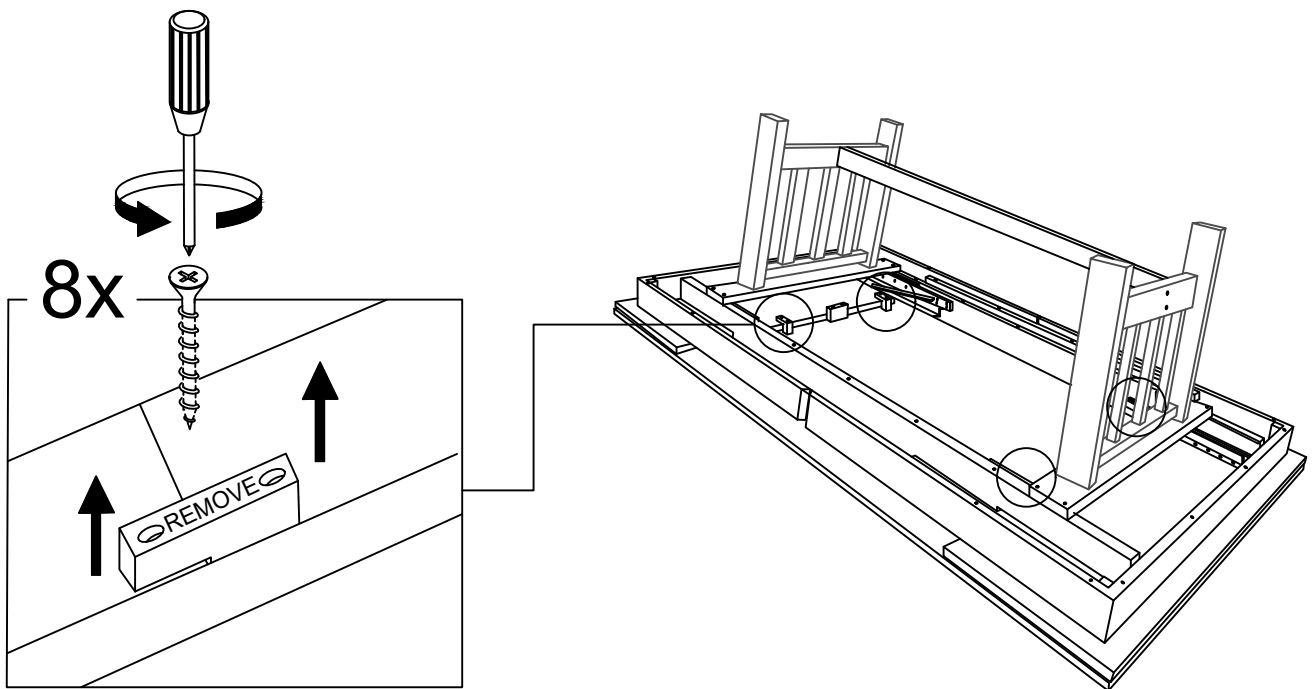
**STEP 6 :** Assemble the Rail (C) to the Table Legs (B) by using the Allen Key (8) and the hardware Bolt 1/4" x 2" (1) & Spring washer (2).



STEP 7 : Install the decorative wood (D) to conceal the screw holes on the table legs (B).

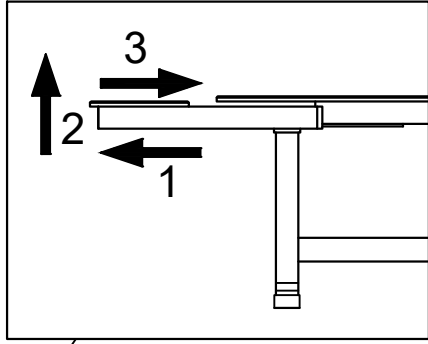


STEP 8 : Remove and discard the wood blocks with screwdriver to operate the table leaves.

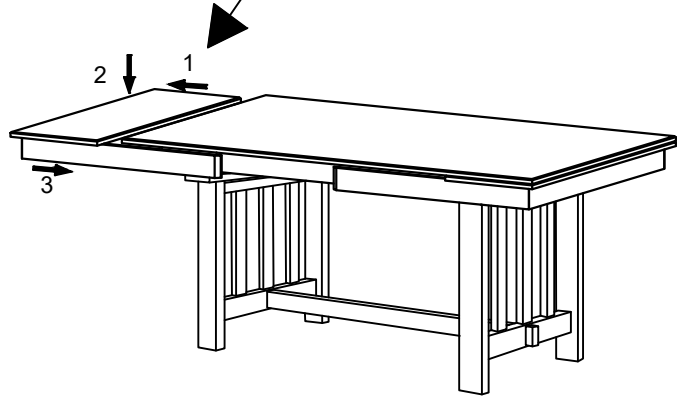
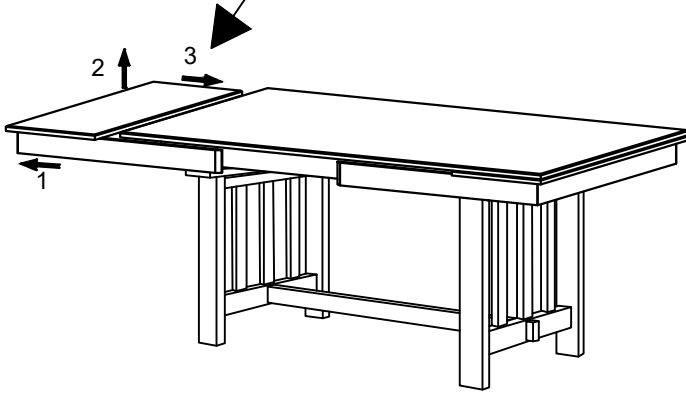
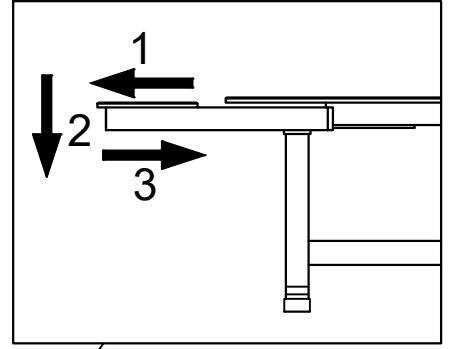


STEP 9 : To operate & store leaf extension table as shown.

To Operate



To Store



COMPLETED ASSEMBLY.

