

# Assembly Instructions

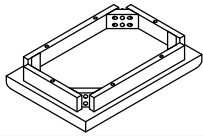
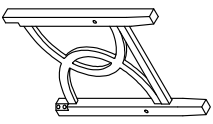
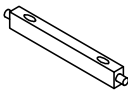
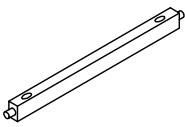
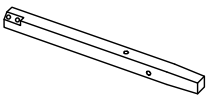
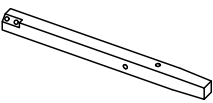
ITEM NO. D324-3P  
 BELLA COUNTER SOFA TABLE WITH  
 2 STOOLS & USB PORT

Thank you for purchasing this quality product. Be sure to check all packing materials carefully for small parts, which may have come loose inside the carton during shipment. Identify and count all items and compare with the PARTS LIST and/or HARDWARE LIST shown below.

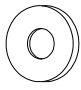

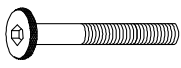


**Caution:** Please read the instructions thoroughly before assembly.

1. We recommend that you assemble this product with the assistance of another person; this will make the assembly easier, and will help eliminate damage to the product or injury to persons during assembly.
2. Please do not over tighten screws or bolts until the assembly is completed.
3. Please put all parts on a non-abrasive floor before assembly, and follow the assembly steps to assemble your newly purchased product correctly and efficiently.

## PARTS LIST

NO.	COMPONENT	SKETCH	QTY.
A	CUSHION SEAT		2 PCS
B	LEG		2 PCS
C	SHORT SIDE STRETCHER		4 PCS
D	LONG SIDE STRETCHER		2 PCS
E	LEG (Right)		2 PCS
F	LEG (Left)		2 PCS

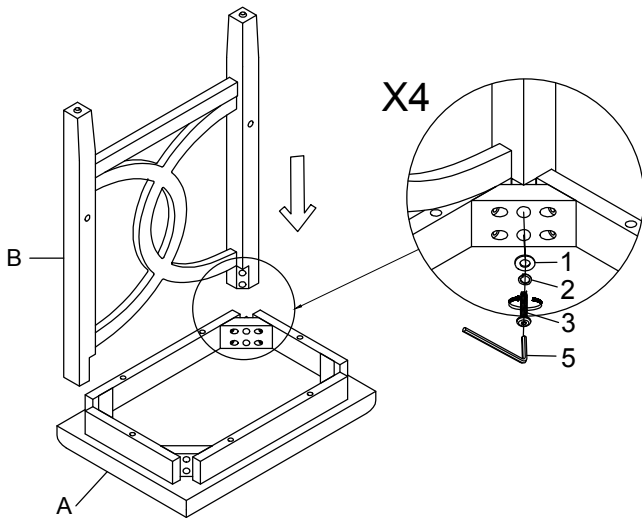
## HARDWARE LIST

NO.	COMPONENT	SKETCH	QTY.
1	FLAT WASHER 1/4" DIA.		16 PCS
2	SPRING WASHER 1/4" DIA.		16 PCS
3	BOLT 1/4" x 2 1/4"		16 PCS
4	WOOD SCREW #8 x 1 1/2" L		12 PCS
5	ALLEN KEY M4		1 PC

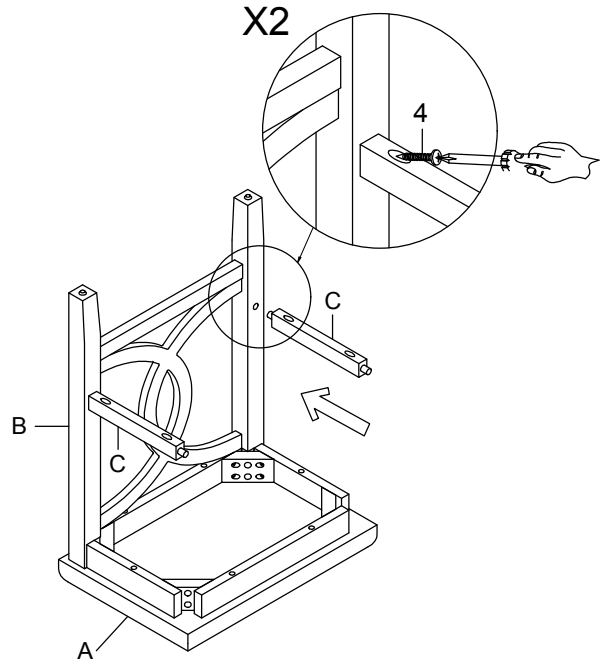
# Assembly Instructions

ITEM NO. D324-3P  
 BELLA COUNTER SOFA TABLE WITH  
 2 STOOLS & USB PORT

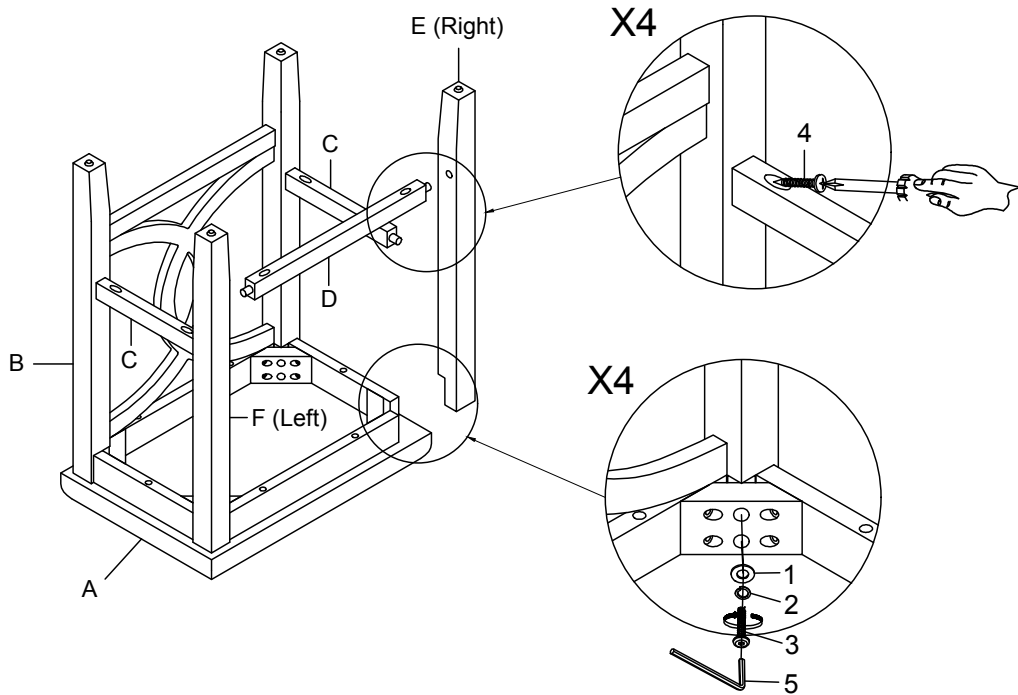
## STEP 1



## STEP 2



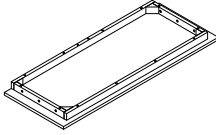
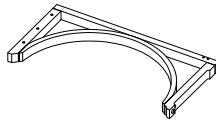
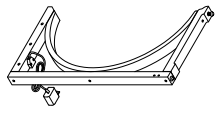
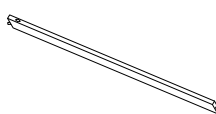
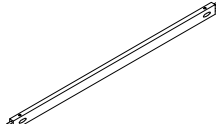
## STEP 3



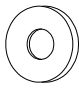

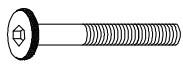


# Assembly Instructions

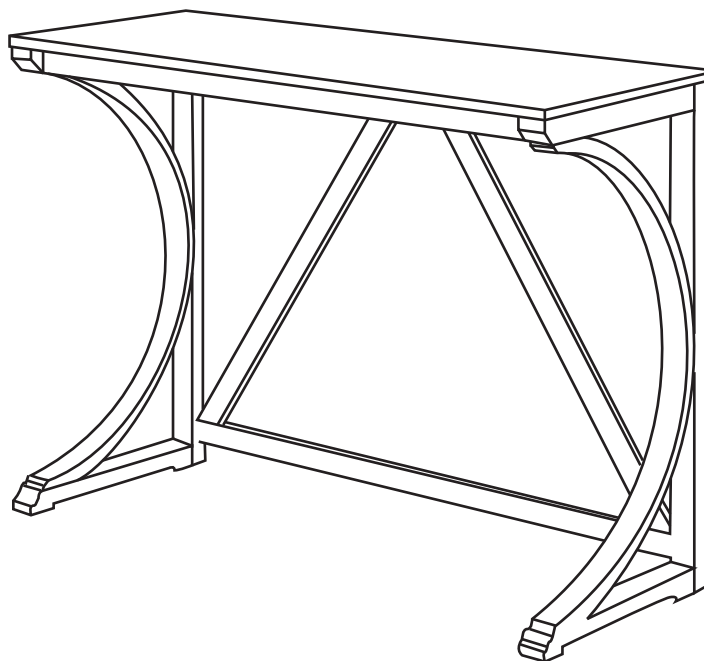
ITEM NO. D324-3P  
 BELLA COUNTER SOFA TABLE WITH  
 2 STOOLS & USB PORT

## PARTS LIST

NO.	COMPONENT	SKETCH	QTY.
A	TABLE TOP		1 PC
B	LEG (Left)		1 PC
C	LEG (Right)		1 PC
D	SUPPORT ROD		2 PCS
E	TABLE STRETCHER		1 PC

## HARDWARE LIST

NO.	COMPONENT	SKETCH	QTY.
1	FLAT WASHER 5/16" DIA.		6 PCS
2	SPRING WASHER 5/16" DIA.		6 PCS
3	BOLT 5/16" x 1 3/4"		6 PCS
4	WOOD SCREW #8 x 1 1/2" L		6 PCS
5	ALLEN KEY M4		1 PC

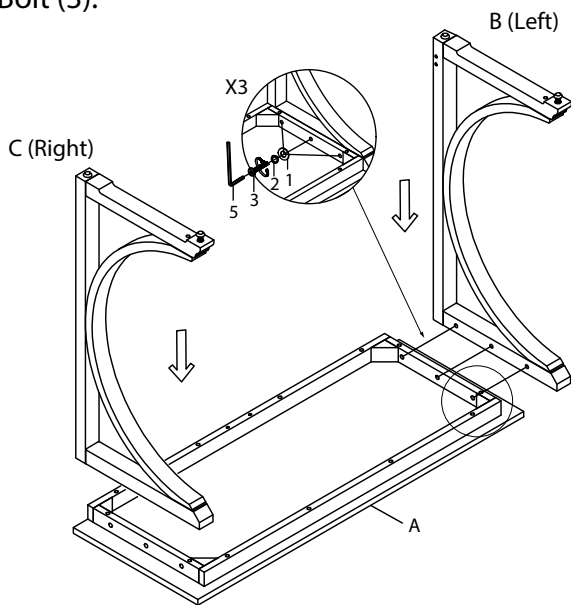


# Assembly Instructions

ITEM NO. D 324-3P  
BELLA COUNTER SOFA TABLE WITH  
2 STOOLS & USB PORT

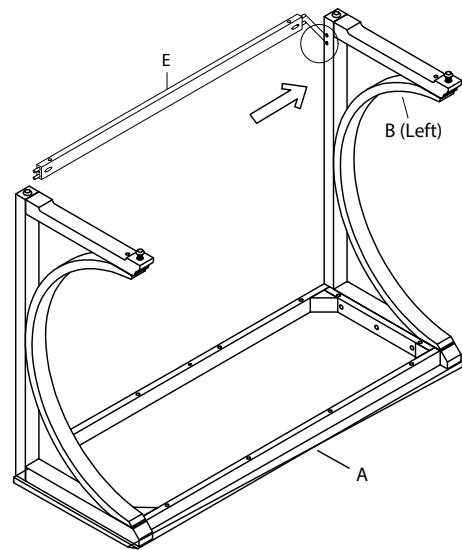
## STEP 1

Attach Left Leg (B), Right Leg (C) to Table Top (A) by using Flat Washer (1), Spring Washer (2) and Bolt (3).



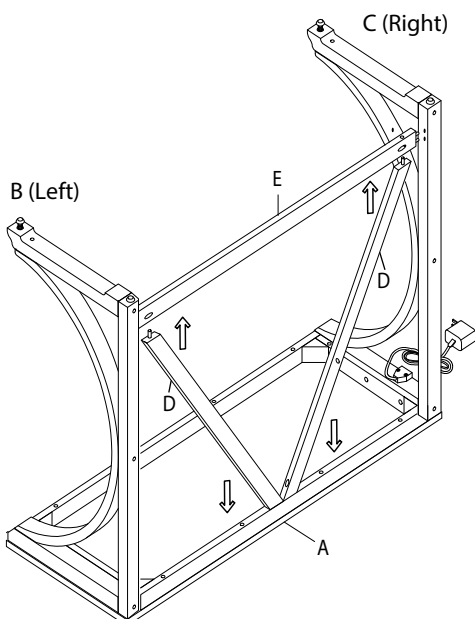
## STEP 2

Attach Table Stretcher (E) to Left Leg (B), make sure the wooden dowel is completely pushed into position.



## STEP 3

Attach Support Rod (D) to Table Top (A) and Table Stretcher (E).



## STEP 4

Attach Table Stretcher (E) to Right Leg (C), screw in all Wood Screw (4), make sure they are completely pushed into position. Then your product is ready for you to enjoy.

