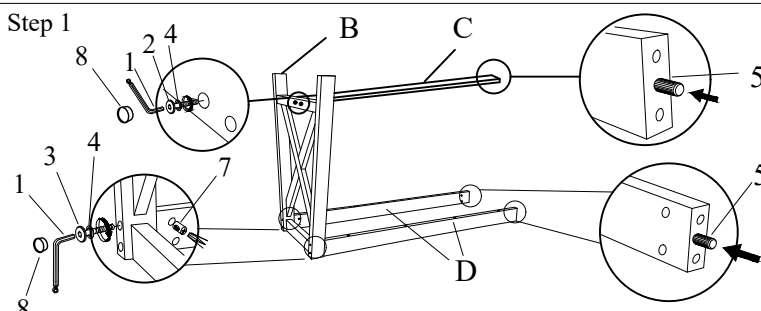

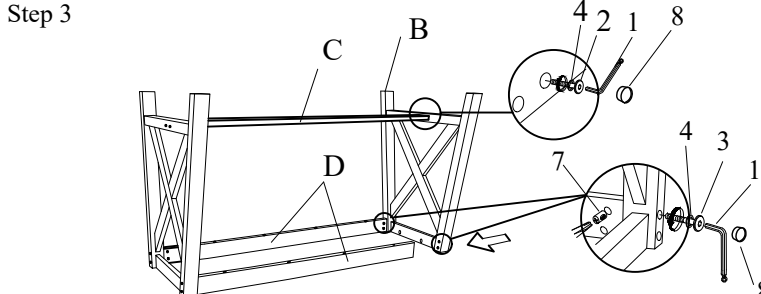






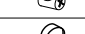

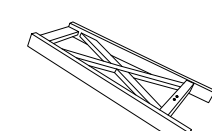
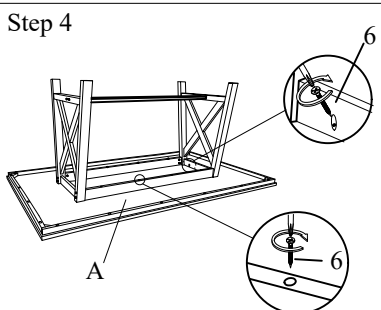
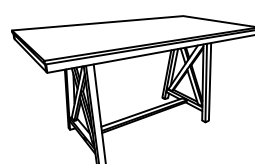

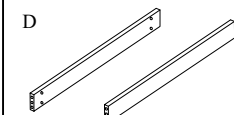


Thank you for purchasing this quality product. Be sure to check all packing materials carefully for small parts, which may have come loose inside the carton during shipment. Identify and count all items and compare with the parts list and / or hardware list shown below.

We recommend that you assemble this product with the assistance of another person; this will make the assembly easier, and will help eliminate damage to the product or injury to persons during assembly.

Model : D2959-12 Counter Table		ASSEMBLY INSTRUCTION		
<p><b>Step 1</b></p> 	No	Hardware List		Qty
	1	Ball Shape Allen Key M4		1 pc
<p><b>Step 3</b></p> 	2	JCBC M6 x 50mm		4 pcs
	3	JCBC M6 x 90mm		8 pcs
	4	Spring Washer M6		12 pcs
	5	PVC Dowel M8 x 30		6 pcs
	6	CSK M4 x 38mm		12 pcs
	7	Barrel Nut		8 pcs
	8	Wood Button		12 pcs
	<b>Parts List</b>			
<p><b>A</b></p>  <p>Table Top - 1pc</p>				
<p><b>B</b></p>  <p>Table Base - 2 pcs</p>				
<p><b>Step 4</b></p> 		<p><b>Step 5</b></p> 		
<p><b>C</b></p>  <p>Trestle Bar - 1 pc</p>		<p><b>D</b></p>  <p>Table Base Stretcher - 2 pcs</p>		
<p>*** Notes : 1. Do not fully tighten the nut or bolt until all nuts and bolts are attached. 2. Do not over tighten the nut or bolt. This will avoid causing damage to the thread.</p>				