


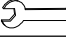


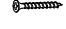
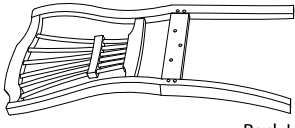

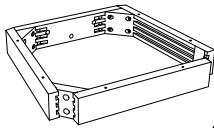



ASSEMBLY INSTRUCTIONS

ITEM NO.: D2541-20 BIXBY DINING CHAIR

Thank you for purchasing this quality product. Be sure to check all packing materials carefully for small parts, which may have come loose inside the carton during shipment. Identify and count all parts and compare with the part list below.

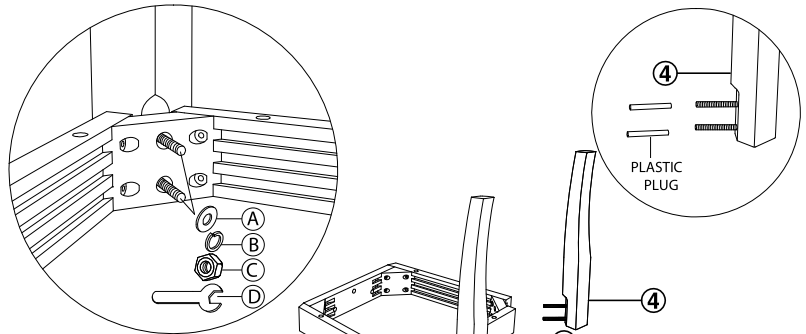
| HARDWARE LIST | | | |
|---------------|---|---------------------------|--------|
| NO. | DRAWING | DESCRIPTION | QTY |
| A |  | Flat Washer 5/16" | 22 pcs |
| B |  | Spring Washer 5/16" | 22 pcs |
| C |  | Nut 5/16" | 8 pcs |
| D |  | Allen Wrench | 1 pc |
| E |  | Short Bolt 1/4" x 1 3/4" | 6 pcs |
| F |  | Long Bolt 1/4" x 3" | 8 pcs |
| G |  | Wood Screw 5/32" x 1 1/2" | 12 pcs |

| PART LIST | |
|--|---|
| 1  | 3  |
| Back Leg (2 pcs) | Cushion Seat (2 pcs) |
| 2  | 4  |
| Seat Frame (2 pcs) | Front Leg (4 pcs) |

STEP 1

Attach the Front Leg (4) to the Seat Frame (2) by using Nut (C), Spring Washer (B), and Flat Washer (A).

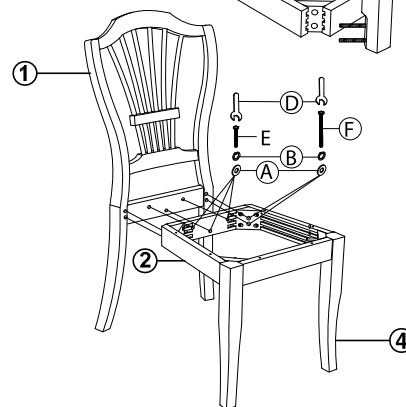
Note: The Seat Frame (2) has two screw holes on each side, which are used for attaching the seat. These holes are wider on the bottom and narrower on the top. Ensure the wider holes face towards you.



STEP 2

Attach the Seat Frame (2) to the Back Leg (1) by using Short Bolt (E), Long Bolt (F), Spring Washer (B) and Flat Washer (A). Do not fully tighten.

Turn the chair upright. Make sure the assembled unit is level and square. Tightly fasten all Nuts (C) and Bolts (E&F) with the Allen Wrench (D).



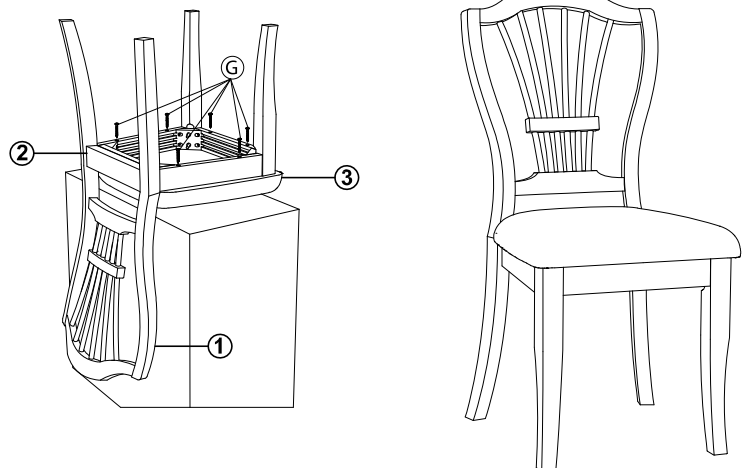
STEP 3

Place the Cushion Seat (3) upside down on a non-abrasive table surface. The rear (tapered end) should be near the table edge.

Hint: Protect the non-abrasive table surface and the Cushion Seat (3) by laying a towel in-between the chair seat and table.

Place the assembled chair frame on the Cushion Seat (3). Attach with Wood Screw (G). Tighten the screws.

The Dining Chair is now ready for use.



CLEANING INSTRUCTION

Clean the surface with a furniture polish and a soft cloth

MADE IN VIETNAM