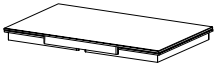
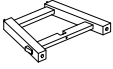






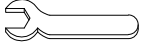


ASSEMBLY INSTRUCTIONS

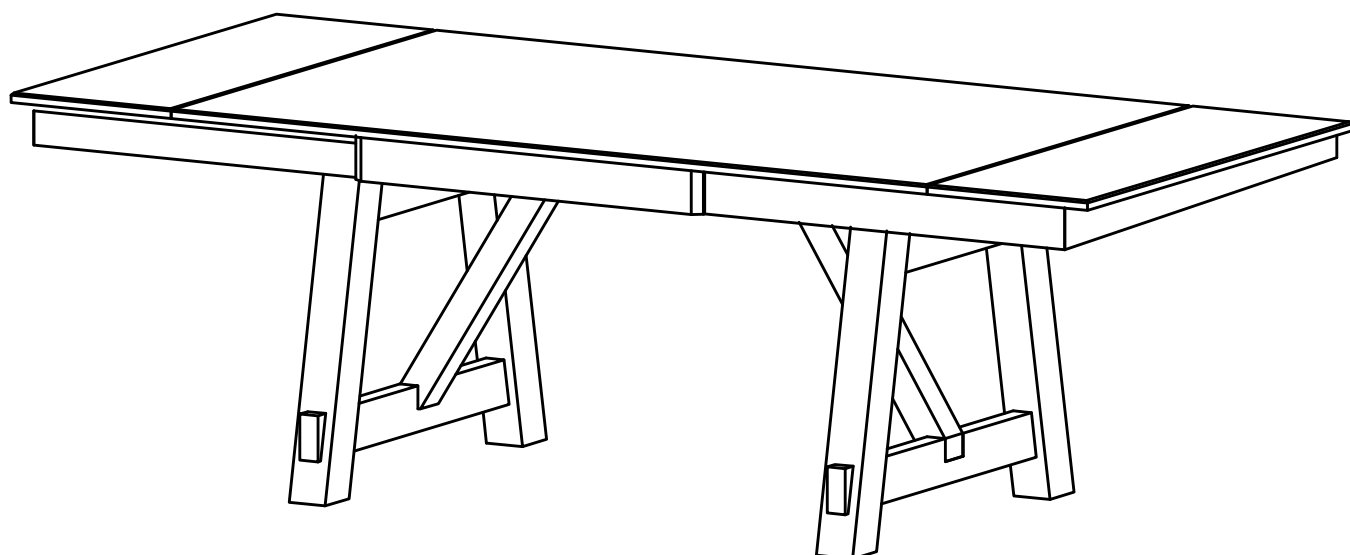
D1903-10T, D1903-10B

MAISIE DINING TABLE TOP AND BASE

Thank you for purchasing this quality product. Be sure to check all packing materials carefully for small parts, which may have come loose inside the carton during shipment. Identify and count all items and compare with the parts list and/or hardware list shown below.

PARTS LIST			
NO	DESCRIPTION	SKETCH	QTY
1	TABLE TOP		1 PC
2	LEG		2 PCS
3	LEG SUPPORT		2 PCS

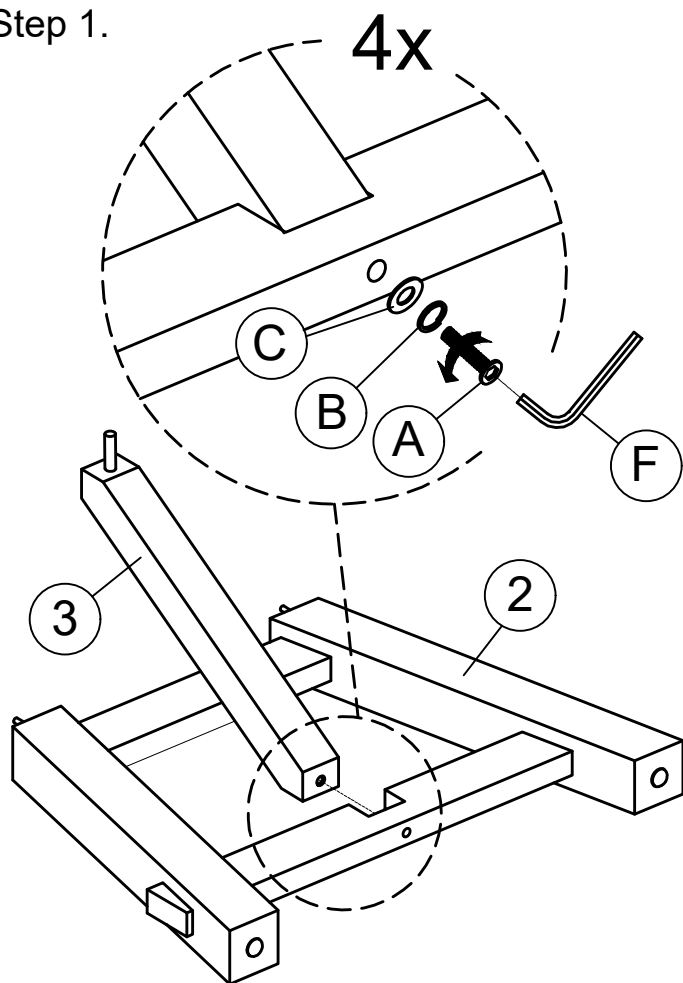
HARDWARE LIST			
NO	DESCRIPTION	SKETCH	QTY
A	JCBB BOLT - M8 x 70mm		2 PCS
B	SPRING WASHER - M8		12 PCS
C	FLAT WASHER - M8		12 PCS
D	SPANNER		1 PC
E	HEX NUT		10 PCS
F	ALLEN KEY - M5		1 PC



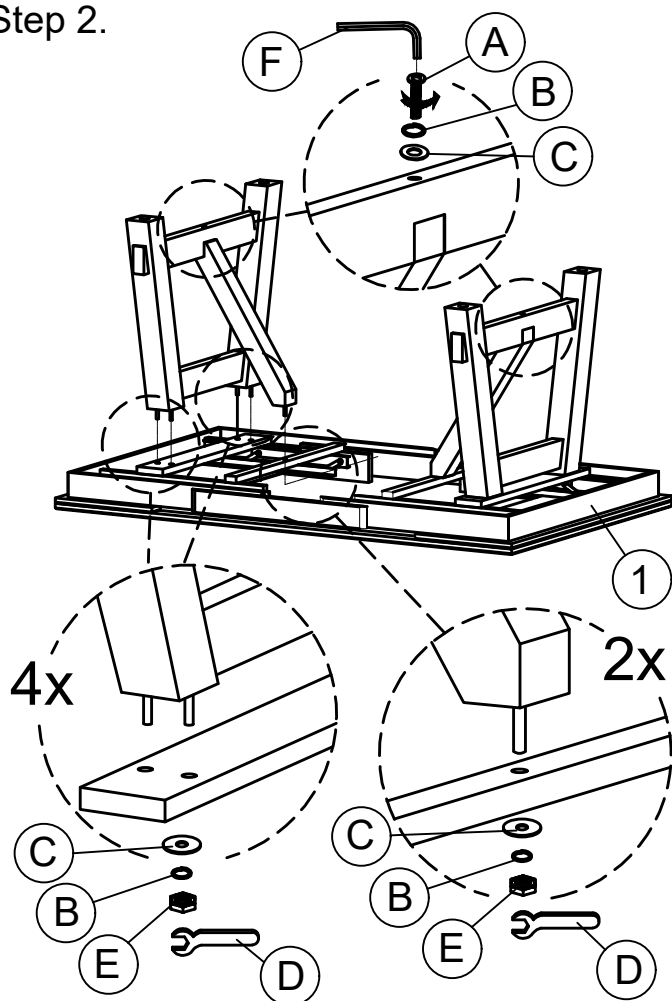
IMPORTANT NOTE :

- * Place all wooden parts on a clean and smooth surface such as a rug or carpet to avoid the parts from being scratched.
- * Check to be sure that you have all parts and hardware.
- * Remove all wrapping materials, including staples & packing straps before you start to assemble.
- * Do not tighten all screws/bolts until all completely assembled.
- * Keep all hardware parts out of reach of children.
- * We recommend that you assemble this product with the assistance of another person.

Step 1.

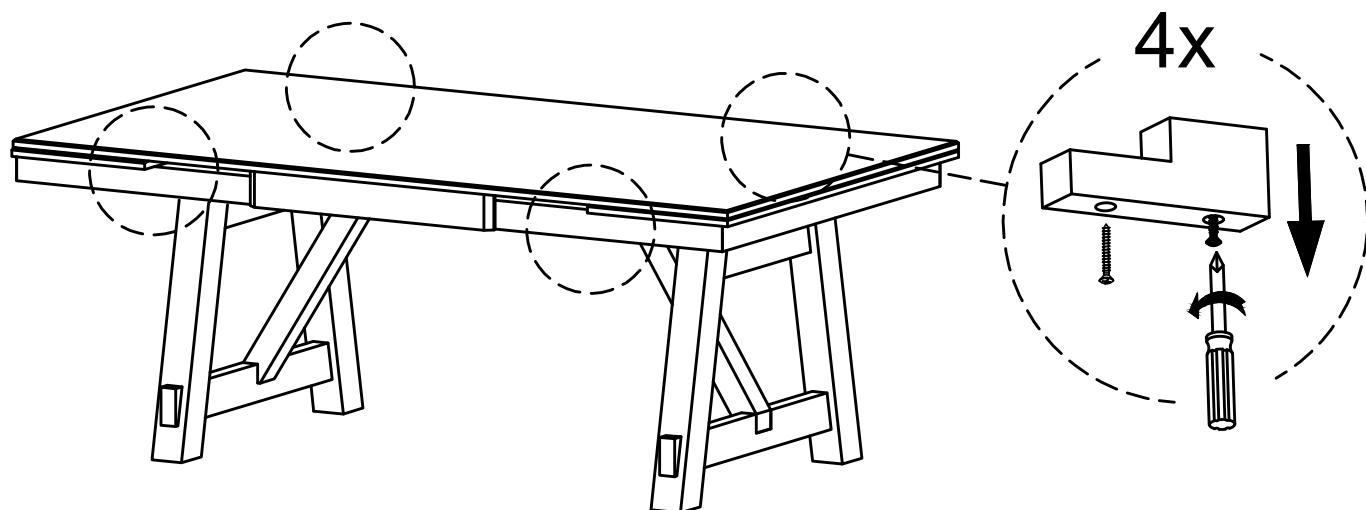


Step 2.



Step 3.

* Please take out the extension leaf top wood support (4pcs) from the bottom of table top. This wood support is use for packing purpose only.

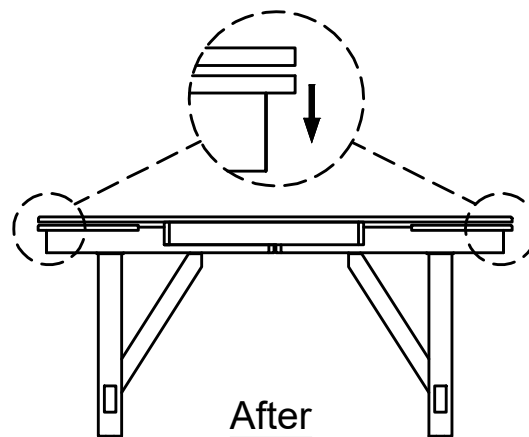
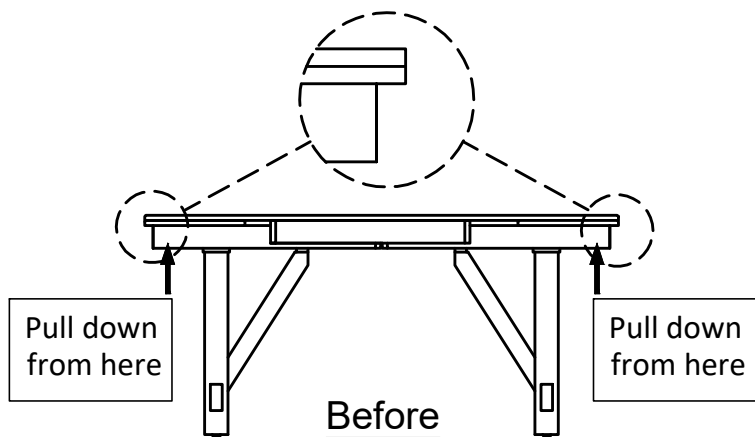


ASSEMBLY INSTRUCTIONS

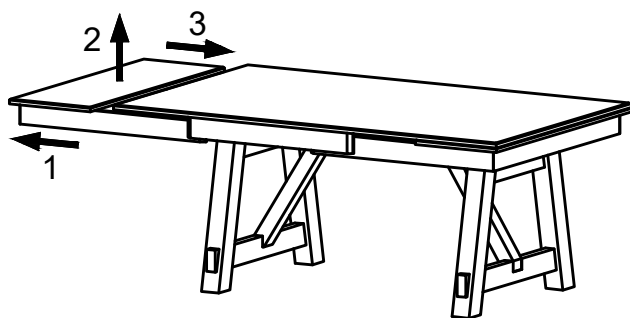
D1903-10T, D1903-10B

MAISIE DINING TABLE TOP AND BASE

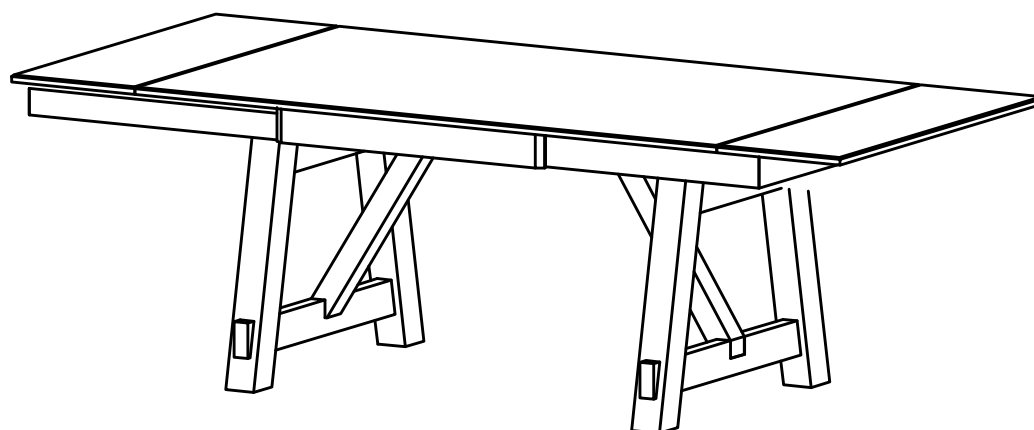
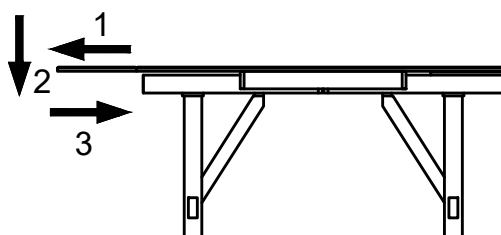
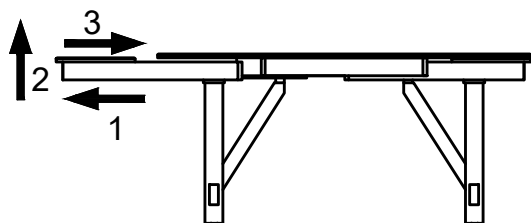
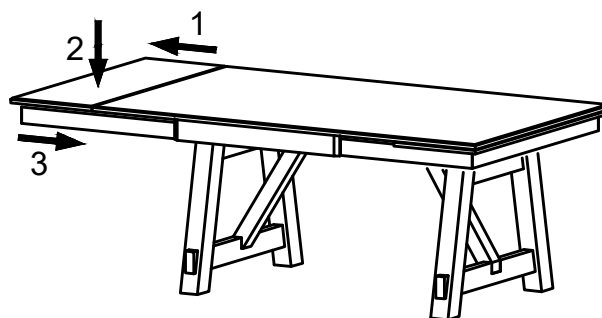
Step 4. * To avoid scratching the table top. To extend the extension tops "please first pull down on the bottom of the extension top so it shows a slight opening"



Step 5. * Once opening is shown, please slide back and the extension top can be popped up



Step 6. * To put away the extension tops "please first pull back on the extension top and push down and the extension top can be stored below the table"



Complete Assembly