

# Assembly Instructions


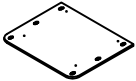
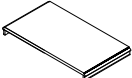

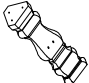

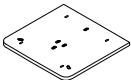
D1808-10: PLAZZO MARINA DINING TABLE

Thank you for purchasing this quality product. Be sure to check all packing materials carefully for small parts which may have come loose inside the carton during shipment. Identify and count all items and compare with the Parts List and or Hardware List shown below








**CAUTION: Please read the instructions thoroughly before assembly.**

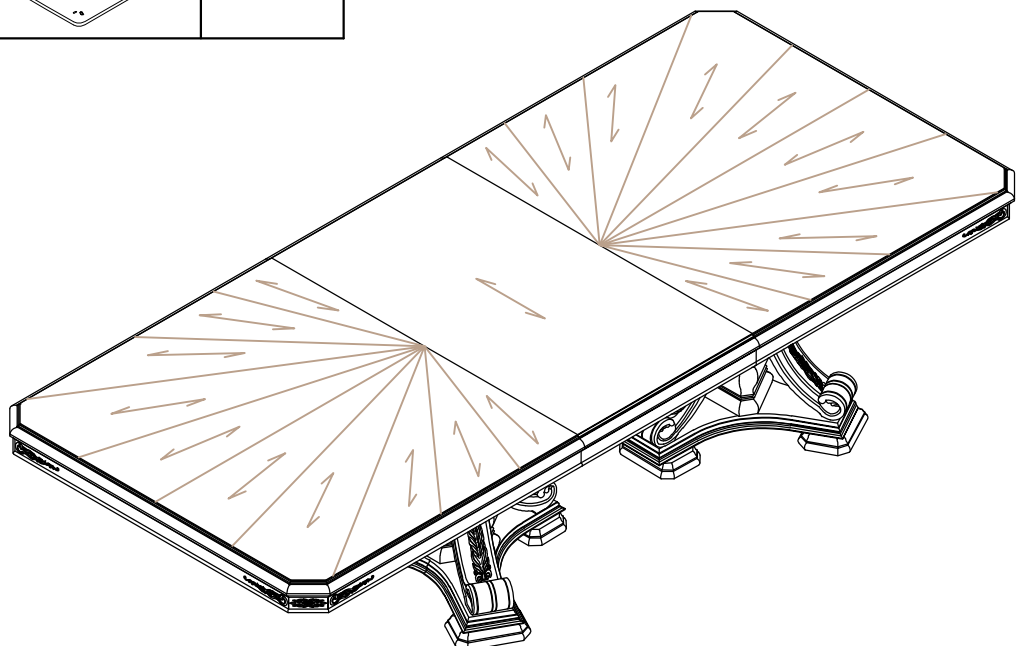
1. We recommend that you assemble this product with the assistance of another person; this will make the assemble easier, and will help eliminate damage to the product or injury to persons during assembly.
2. Please do not tighten screws or bolts until the assembly is completed.
3. Please put all parts on a non-abrasive floor before assembly, and follow the assembly steps to assemble your newly purchased product correctly and efficiently.

## PARTS LIST

NO:	COMPONENT	SKETCH	Q'TY
A	TABLE TOP		1PC
B	TOP MOUNTING PLATE		2PCS
C	TABLE LEAF		1PC
D	LEG		6PCS
E	LEG POST		2PCS
F	BOTTOM PLATE		2PCS
G	BOTTOM MOUNTING PLATE		2PCS

## HARDWARE LIST

NO:	COMPONENT	SKETCH	Q'TY
1	LONG BOLT $\Phi 5/16" \times 2"$ L		32PCS
2	LOCK WASHER $\Phi 5/16"$		56PCS
3	FLAT WASHER $\Phi 5/16"$		56PCS
4	ALLEN KEY 1/6"		1PC
5	SHORT BOLT $\Phi 5/16" \times 1-1/2"$ L		24PCS
6	WOOD CAP		12PCS
7	GLUE FOR WOOD CAP		1PC

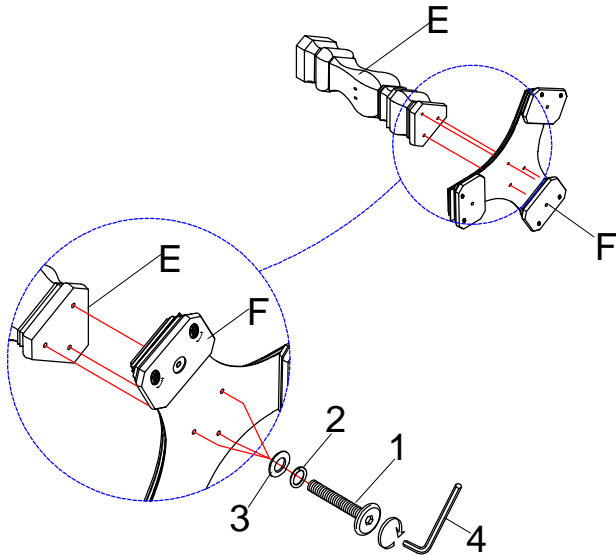


# Assembly Instructions

D1808-10: PLAZZO MARINA DINING TABLE

## STEP 1

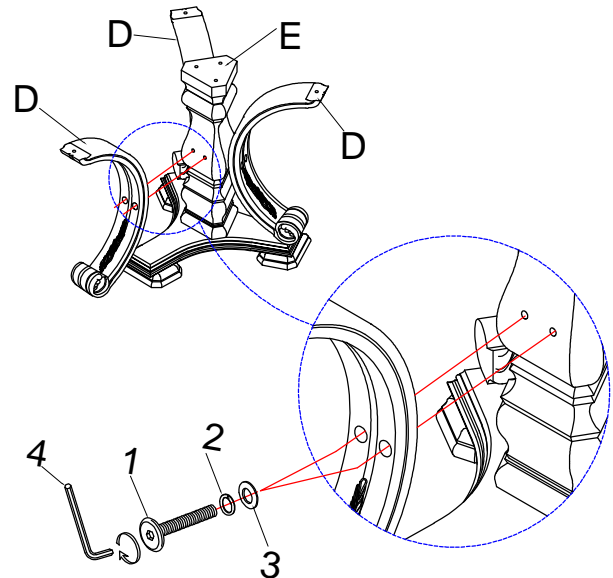
Assemble leg posts (E) together with bottom plates (F) using Allen Key (4) with hardware 1,2, and 3.



## STEP 2

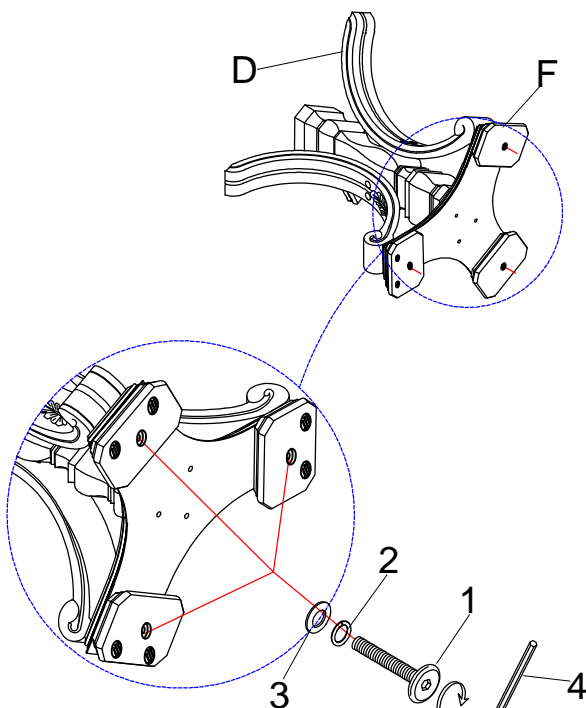
Assemble legs (D) with leg posts (E) using Allen Key (4) with hardware 1,2, and 3.

**\*Attention: DO NOT TIGHTEN THE BOLTS**



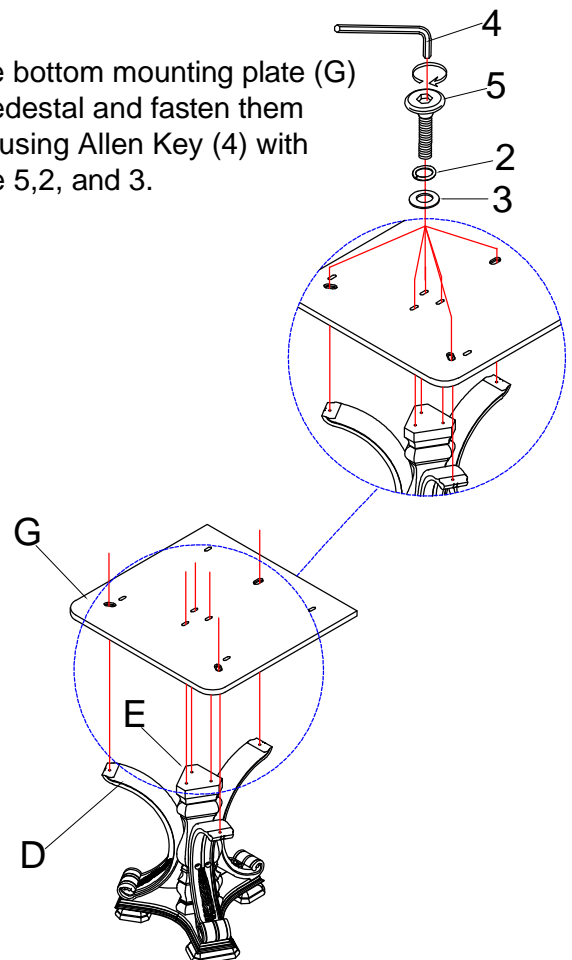
## STEP 3

Assemble legs (D) together with bottom plate (F) using Allen Key (4) with hardware 1,2, and 3. Then tighten all the bolts of the assembled pedestal.



## STEP 4

Place the bottom mounting plate (G) on the pedestal and fasten them together using Allen Key (4) with hardware 5,2, and 3.

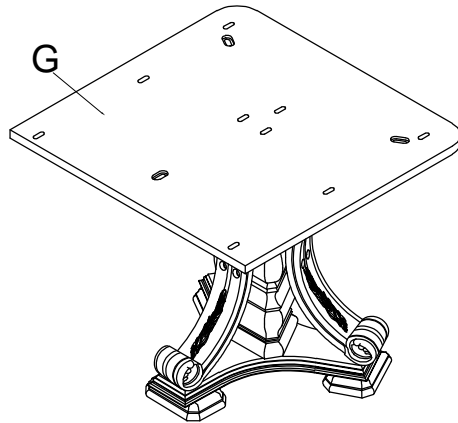


# Assembly Instructions

D1808-10: PLAZZO MARINA DINING TABLE

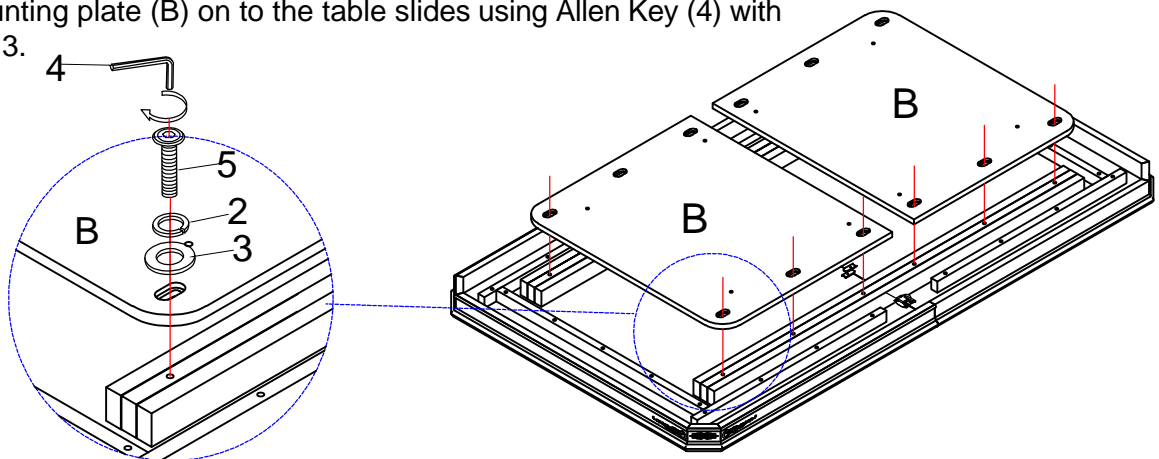
## STEP 5

Repeat **STEP 1 THOUGH STEP 4** to assemble the second pedestal.



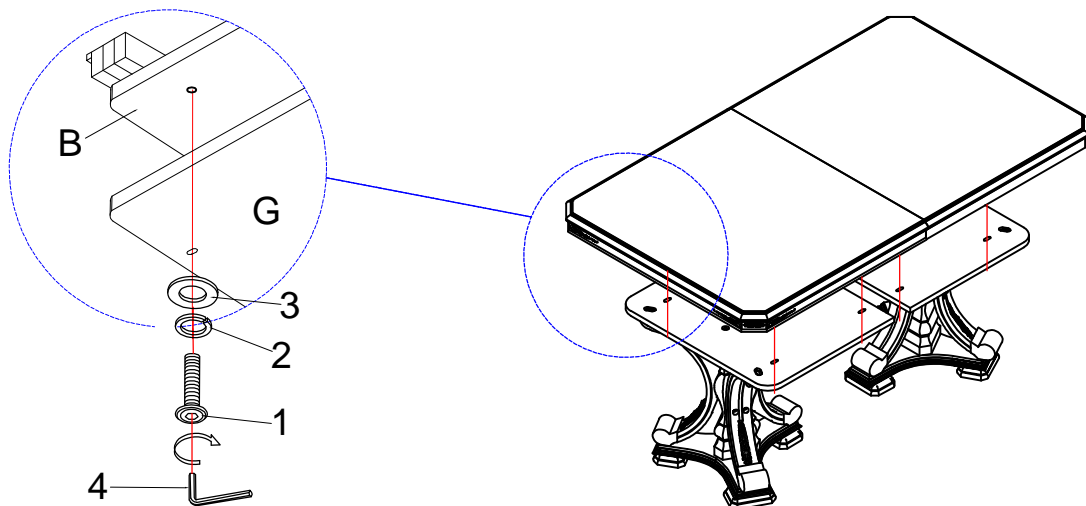
## STEP 6

Assemble top mounting plate (B) on to the table slides using Allen Key (4) with hardware 5,2, and 3.



## STEP 7

Place the tabletop on the pedestals and align all the holes of the top mounting plates (B) with holes in the bottom mounting plate (G). Then fasten the plates together by using Allen Key (4) with hardware 1,2, and 3.

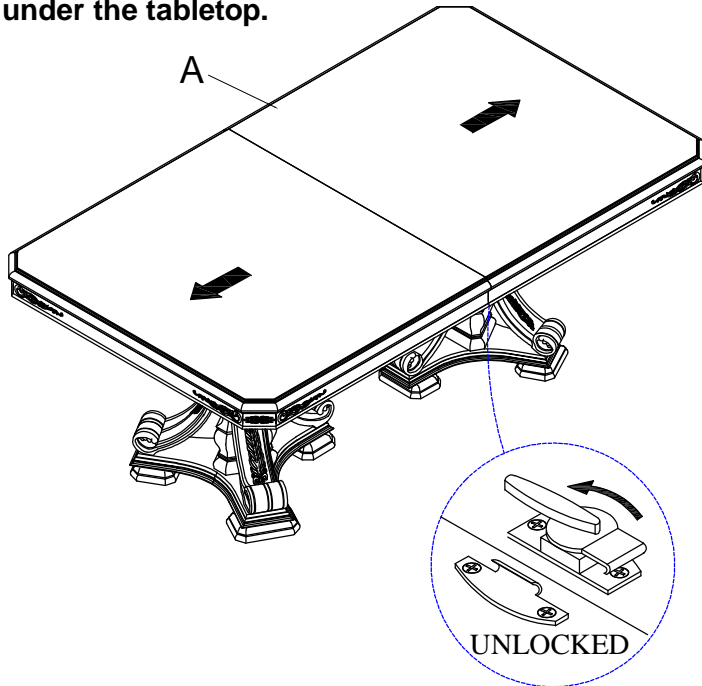


# Assembly Instructions

D1808-10: PLAZZO MARINA DINING TABLE

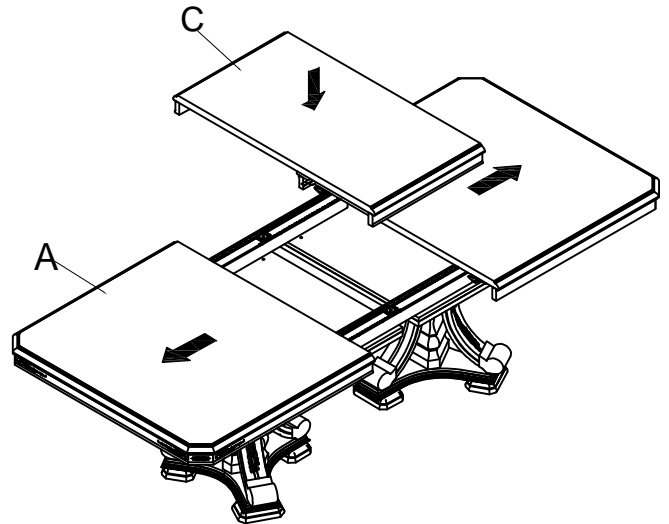
## STEP 8

Install the table leaf (C) by unlocking the locks under the tabletop.



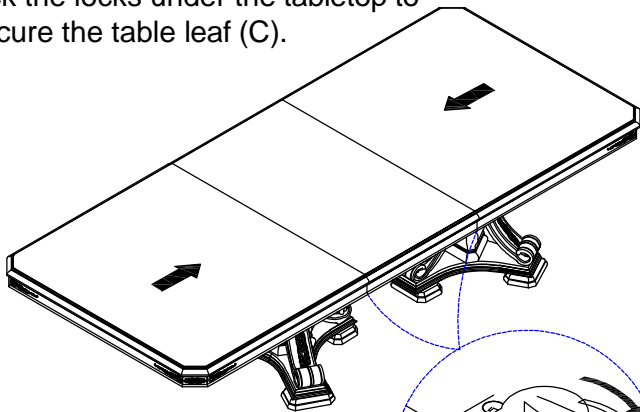
## STEP 9

Pulling on the ends of the tabletop to open the top to place table leaf (C).

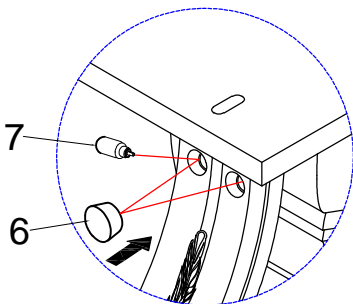


## STEP 10

Push on the ends of the table top and lock the locks under the tabletop to secure the table leaf (C).



\*Apply glue (7) to the holes on the legs (D), then press wood caps (6) in each hole.



## COMPLETED TABLE

