

# ASSEMBLY INSTRUCTION

## JULIUS COLLECTION



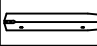

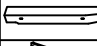




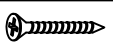

MODEL : D1802-10 JULIUS 66" RECTANGLE DINING TABLE

Thank you for purchasing this quality product. Be sure to check all packing materials carefully for small parts, which may have come loose inside the carton during shipment. Identify and count all items and compare with the parts list and/or hardware list shown below.

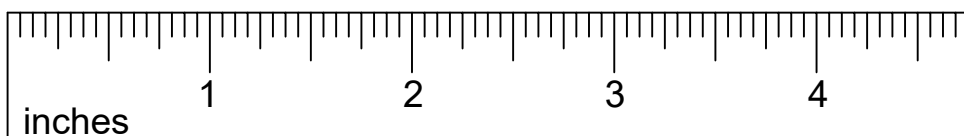
Please read all instructions carefully. See the hardware and furniture part listing for guidance. Be sure you have all parts listed before beginning assembly. Place all wooden parts on a clean, flat surface to protect the finish from scratches. Follow the diagram to assemble.

### CAUTION

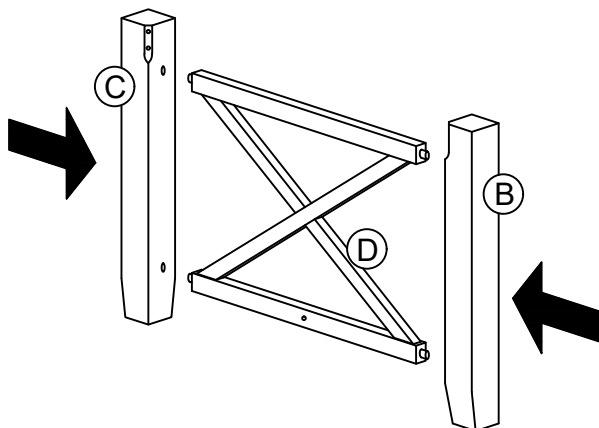
1. Do not fully tighten the nuts or bolts until the table is fully assembled.
2. Please tighten by hand, not by a drill. Overtightening will damage threads. Do not overtighten.
3. Keep all hardware out of the reach of children.

| PARTS LIST |                                      |   |       | HARDWARE LIST |                         |   |        |
|------------|--------------------------------------|---|-------|---------------|-------------------------|---|--------|
| ITEM       | DESCRIPTION                          | SKETCH  | QTY   | ITEM          | DESCRIPTION             | SKETCH  | QTY    |
| A          | TABLE TOP                            |    | 1 PC  | 1             | SHORT BOLT M8 x 2"      |    | 2 PCS  |
| B          | RIGHT SIDE FACING LEG WITH LABEL "R" |    | 2 PCS | 2             | LONG BOLT M8 x 2-6/8"   |    | 8 PCS  |
| C          | LEFT SIDE FACING LEG WITH LABEL "L"  |   | 2 PCS | 3             | SPRING WASHER M8 x 1/2" |   | 10 PCS |
| D          | X LEG SUPPORT                        |  | 2 PCS | 4             | FLAT WASHER M8 x 7/8"   |  | 8 PCS  |
| E          | TABLE STRETCHER                      |  | 1 PC  | 5             | SCREW M4 x 2"           |  | 4 PCS  |
|            |                                      |   |       | 6             | ALLEN KEY M5 2-9/16"    |  | 1 PC   |

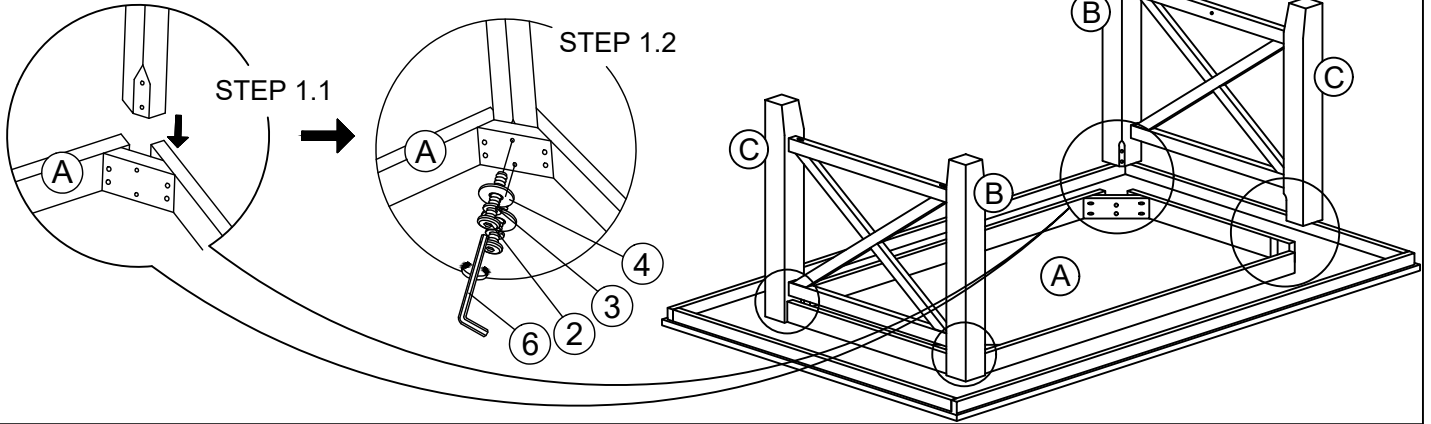
HARDWARE DIMENSIONS  
VERIFICATION TOOL



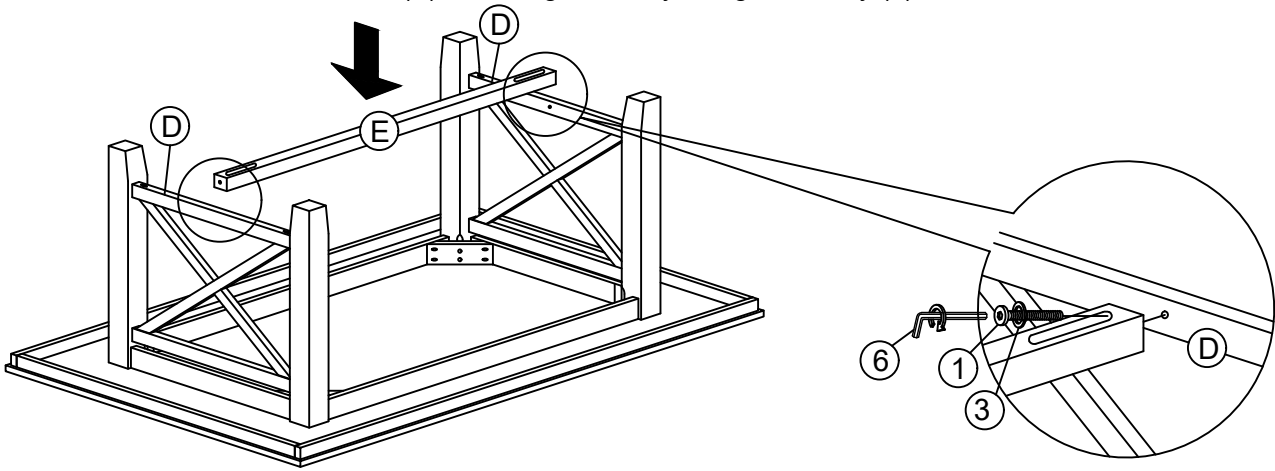
- STEP 1** Attached the RIGHT SIDE FACING LEG (B) and the LEFT SIDE FACING LEG (C) to the X leg support (D).
- \* Please make sure the hole on the X leg support is facing the front and to the bottom when attaching the legs.
  - \* DO NOT ASSMEBLE THE PIECES TOGETHER WITH SCREWS
- Repeat the step to create the other leg base.



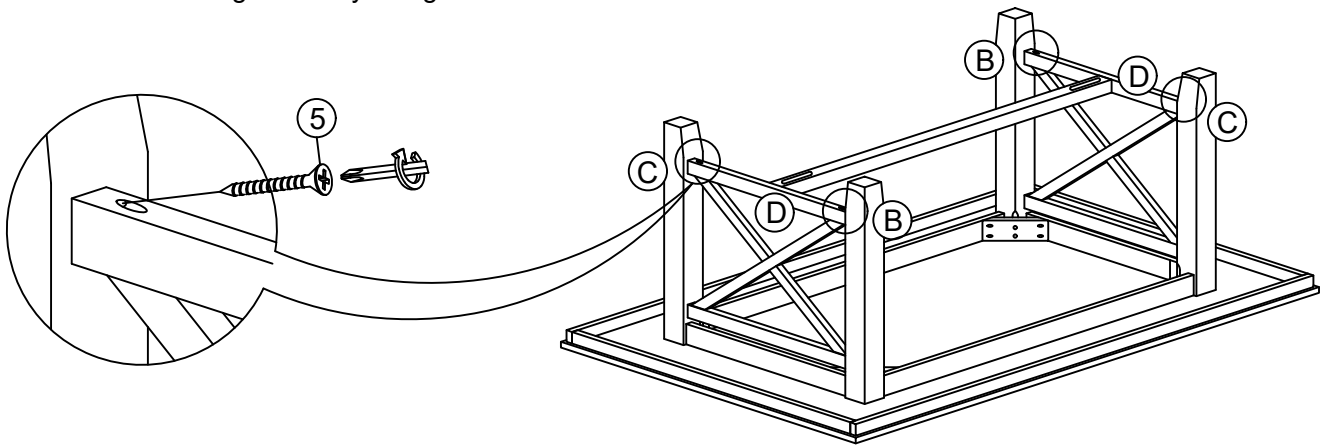
**STEP 2** Place the table top (A) upside down on a soft and flat surface. Assemble the leg bases to the table top (A) by using the Allen Key (6) with hardware 2, 3, and 4.  
\*DO NOT TIGHTEN THE BOLTS.



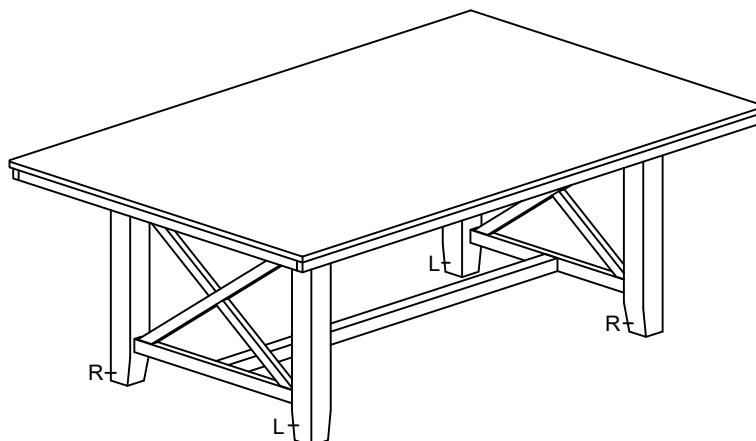
**STEP 3** Assemble the Table stretcher (E) to the leg bases by using Allen Key (6) with hardware 1 and 3.



**STEP 4** Assemble the leg bases by using a screwdriver with hardware 5.



**STEP 5** To level the table, turn the table right side up and tighten the bolts with Allen key (6).



FULLY SET-UP