



Assembly Instructions

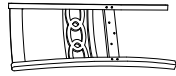
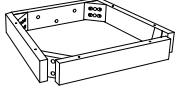
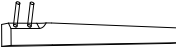

ITEM NO. D1701-160
 GIA 60" RECTANGLE DINING TABLE
 GIA DINING CHAIR (SET INCLUDES 4 CHAIRS)

Thank you for purchasing this quality product. Be sure to check all packing materials carefully for small parts, which may have come loose inside the carton during shipment. Identify and count all items and compare with the PARTS LIST and/or HARDWARE LIST shown below.

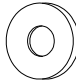


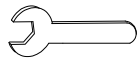
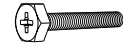


Please read the instructions thoroughly before assembly.

1. We recommend that you assemble this product with the assistance of another person; this will make the assembly easier, and will help eliminate damage to the product or injury to persons during assembly.
2. ~~3. 0HDMGRQRWWLKWHLQFUHFKUEROWWLOWKHDMPPEOLFRPSOHWHG~~
3. ~~7. ROHYHOWKHFKDLURUWDEOHEHIRUHWLKWHQLQDOOWKHFRUWVDEKDLWWEHSODFHRQDIODW~~
~~MIDFHDQGWKHQWLKWHQWKHFUHZ~~
4. ~~3. 0HDMSWDOOSDUWRQDQRQDEUDLYHIORRUEHIRUHDMPEODQGIROORWVKHDMPEOWHSWR~~
~~DMPEOHRMQHDSFKDMGSURGKWFUHFUWODQGHILFLHQWO~~

PARTS LIST

NO.	COMPONENT	SKETCH	QTY.
A	CHAIR BACK		4 PCS
B	SEAT FRAME		4 PCS
C	FRONT LEG		8 PCS
D	CUSHION SEAT		4 PCS

HARDWARE LIST

NO.	COMPONENT	SKETCH	QTY.
1	FLAT WASHER 5/16" DIA.		44 PCS
2	SPRING WASHER 5/16" DIA.		44 PCS
3	NUT 5/16" DIA.		16 PCS
4	ALLEN WRENCH 5/16" DIA.		1 PC
5	SHORT BOLT 1/4" x 1 3/4"		12 PCS
6	LONG BOLT 1/4" x 3"		16 PCS
7	WOOD SCREW 5/32" x 1 1/2"		24 PCS

Assembly Instructions

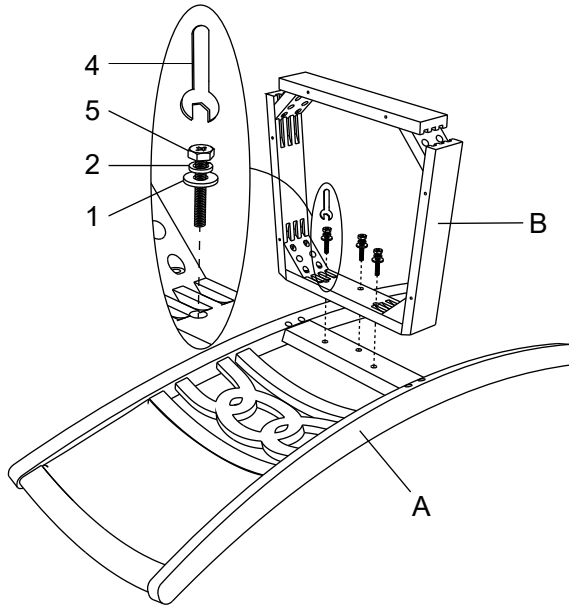
ITEM NO. D1701-160

GIA 60" RECTANGLE DINING TABLE
GIA DINING CHAIR (SET INCLUDES 4 CHAIRS)

To assemble the chairs, please follow the following steps and repeat for each chair:

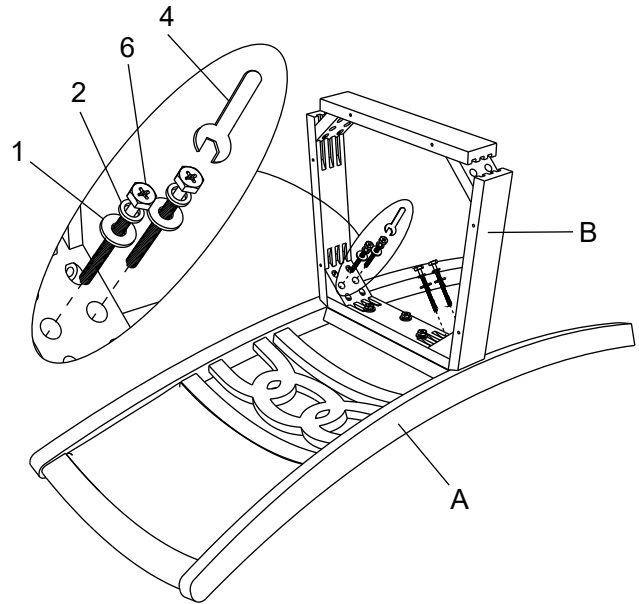
STEP 1

Lay the chair back on soft clean surface and install the seat frame.



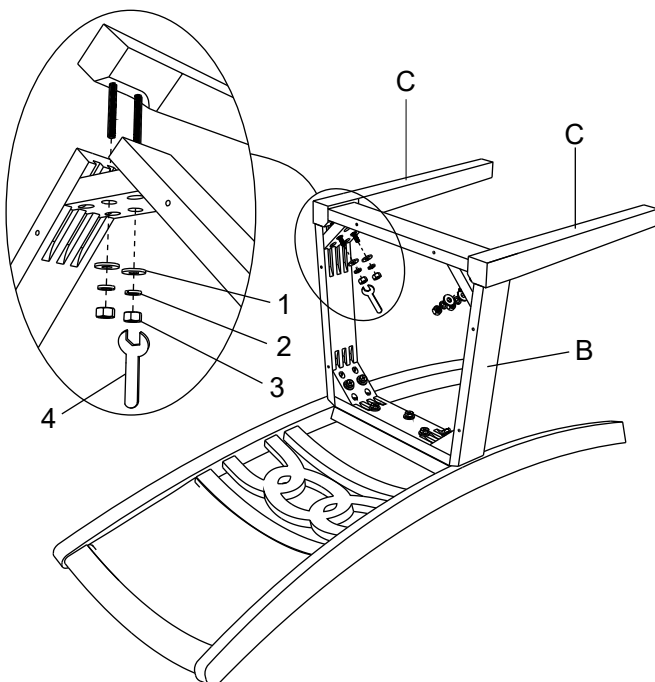
STEP 2

Insert long bolts to secure the seat frame.



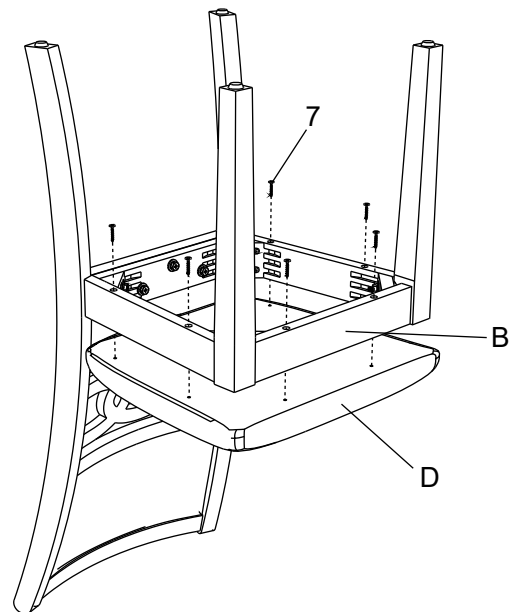
STEP 3

Install the chair front legs once the seat frame is secured.



STEP 4

Place the assembled seat frame on the cushion seat and attach with wood screws.

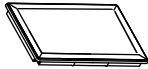



Assembly Instructions

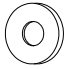
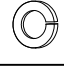


ITEM NO. D1701-160

GIA 60" RECTANGLE DINING TABLE
GIA DINING CHAIR (SET INCLUDES 4 CHAIRS)

PARTS LIST

NO.	COMPONENT	SKETCH	QTY.
A	TABLE TOP		1 PC
B	TABLE LEG		4 PCS

HARDWARE LIST

NO.	COMPONENT	SKETCH	QTY.
1	FLAT WASHER 5/16" DIA.		8 PCS
2	SPRING WASHER 5/16" DIA.		8 PCS
3	BOLT 5/16" x 65 MM		8 PCS
4	ALLEN KEY 4 MM		1 PC

To assemble the table, please follow the following steps:

STEP 1: Install 4 of the table legs and tighten all bolts.

