






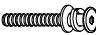


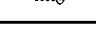
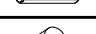
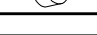


ASSEMBLY INSTRUCTIONS

Item No : D1651-20
Oscar Wood Back Chair
(2PCS PER CARTON)

Thank you for purchasing this quality product. Be sure to check all packing materials carefully for small parts, which may have come loose inside the carton during shipment. Identify and count all items and compare with the parts list and/or hardware list shown below.

PARTS LIST			
NO	DESCRIPTION	SKETCH	QTY
A	Front Stretcher (A)		2 Pcs
B	Back Stretcher (B)		2 Pcs
C	Left Side Facing (LSF) Frame (L)		2 Pcs
D	Right Side Facing (RSF) Frame (R)		2 Pcs
E	Chair Back		2 Pcs
F	Cushion Seat		2 Pcs

HARDWARE LIST			
NO	DESCRIPTION	SKETCH	QTY
1	JCBC Bolt M6 x 1" w/ Spring Washer M6 and Flat Washer M6 x 4/8"		8 Pcs
2	JCBC Bolt M6 x 1 6/8" w/ Spring Washer M6 and Flat Washer M6 x 4/8"		8 Pcs
3	Allen Key M4		1 Pc
4	L Bracket		8 Pcs
5	PH Screw M4 x 4/8"		16 Pcs
6	Wood Dowel M8 x 1"		4 Pcs
7	Wood Button 9/16"		8 Pcs

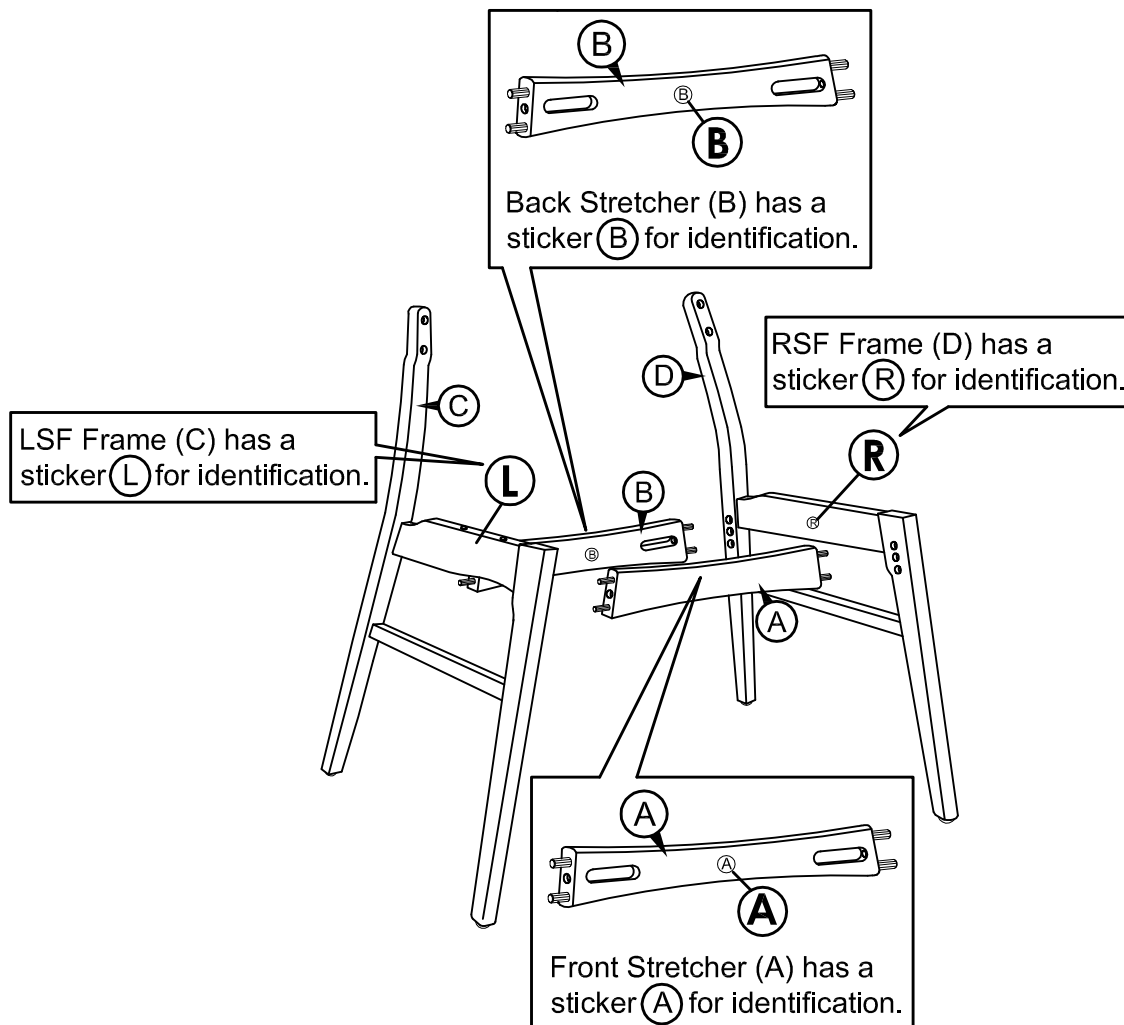
CAUTIONS :

(1) **DO NOT FULLY-TIGHTEN THE NUT OR NUT BOLTS INITIALLY UNTIL ALL NUTS OR BOLT IS READY ASSEMBLED.**

(TO AVOID CAUSING DAMAGES TO THE THREAD, DO NOT OVER-TIGHTEN THE NUTS OR BOLTS.)

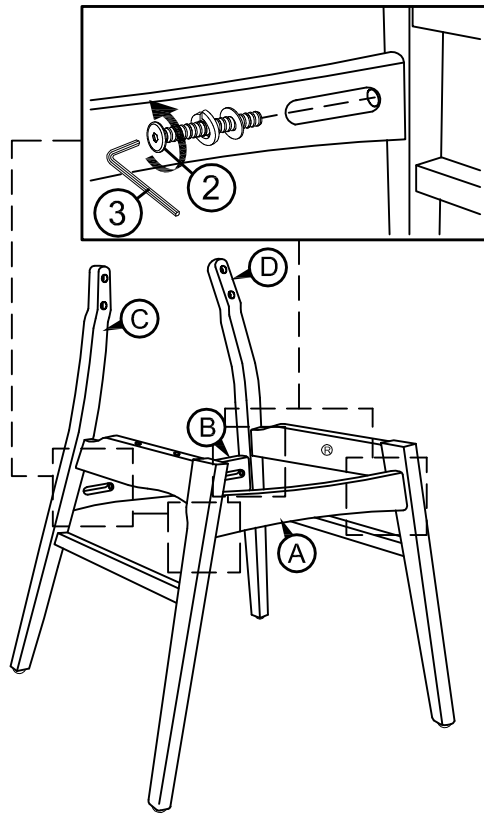
(2) **KEEP ALL HARDWARE PART OUT OF REACH OF CHILDREN.**

STEP 1 : Install Front Stretcher (A) and Back Stretcher (B) to the LSF Frame (C) and RSF Frame (D) by a align the wood dowels on the stretchers into the frames.



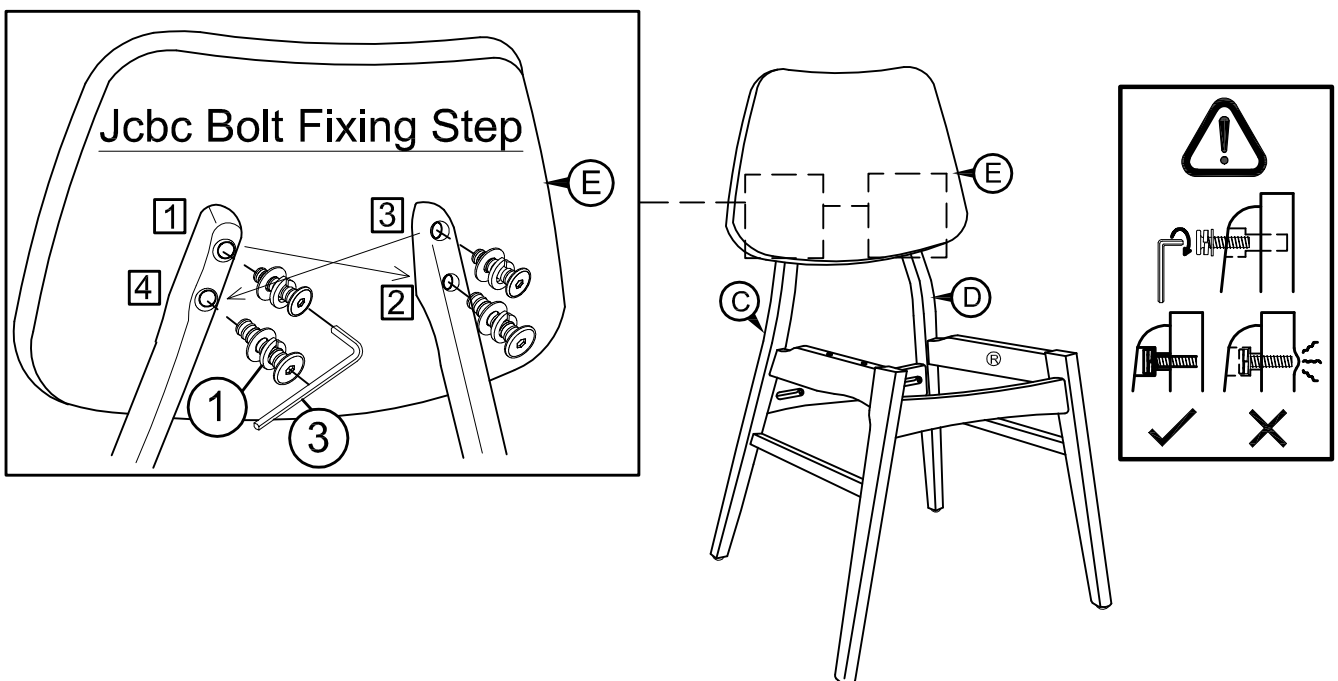
STEP 2 : Assemble the front stretcher (A) and the back stretcher (B) to the LSF Frame (C) and RSF Frame (D) by using the Allen key (3) with the hardware 2.

***DO NOT TIGHTEN THE BOLTS**

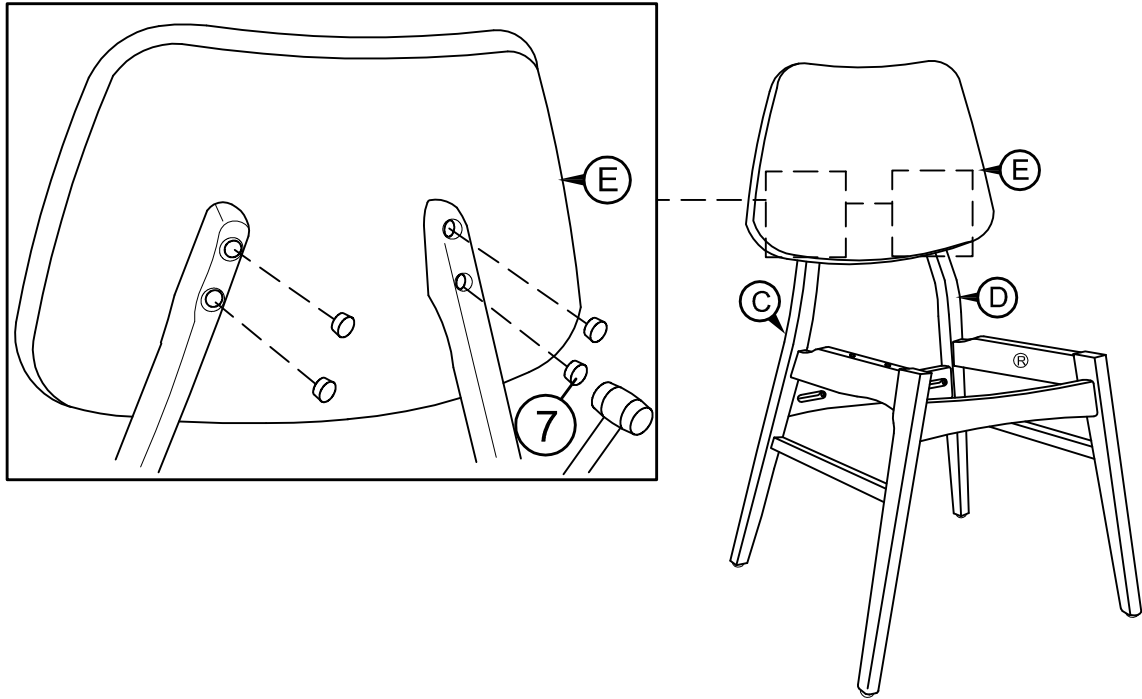


STEP 3 : Assemble the Chair back (E) to the top of the assembled chair frame by using the Allen Key (3) with the hardware 1.

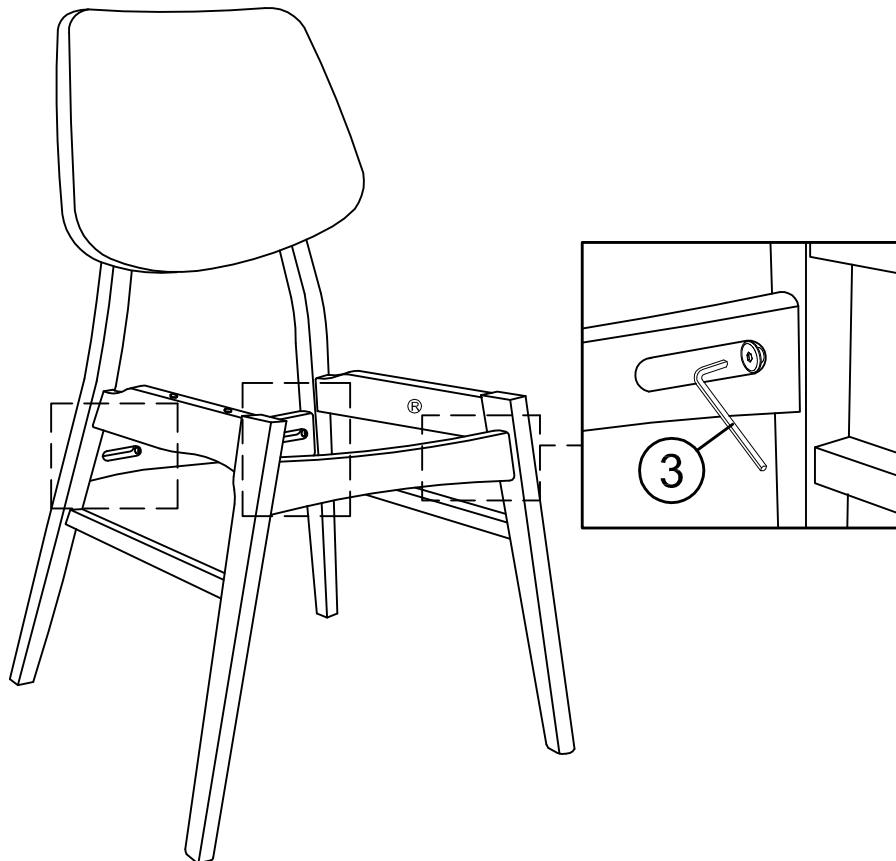
***DO NOT TIGHEN ALL THE BOLTS OF THE CHAIR BACK (E) UNTIL ALL BOLTS ARE IN PLACE and be careful not to over-tighten.**



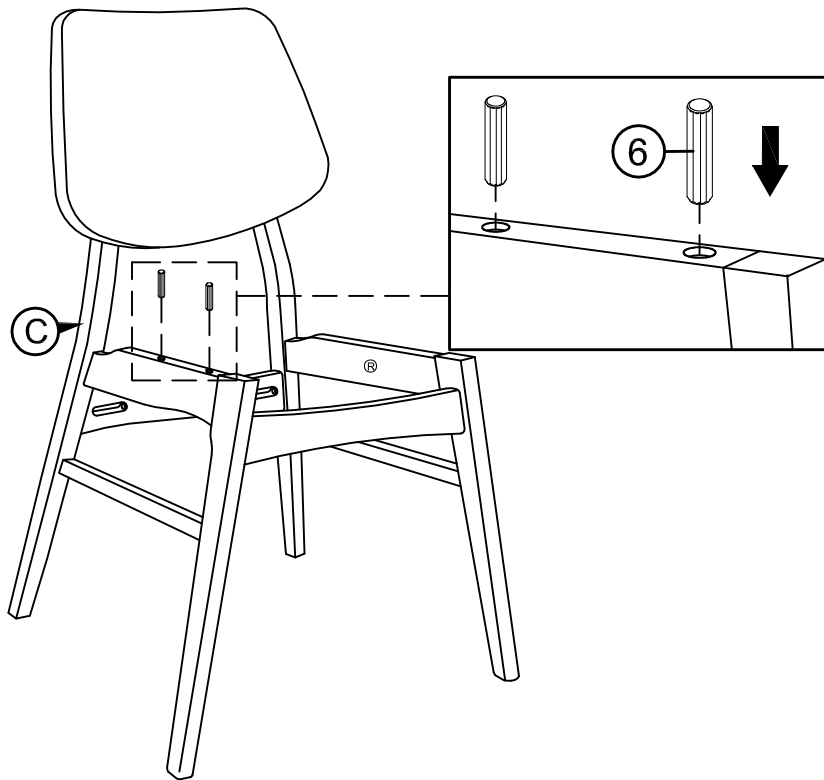
STEP 4 : Install the wood button on the chair back (E) by use a wood mallet to lightly tap in each wood button (7) to conceal the screw holes.



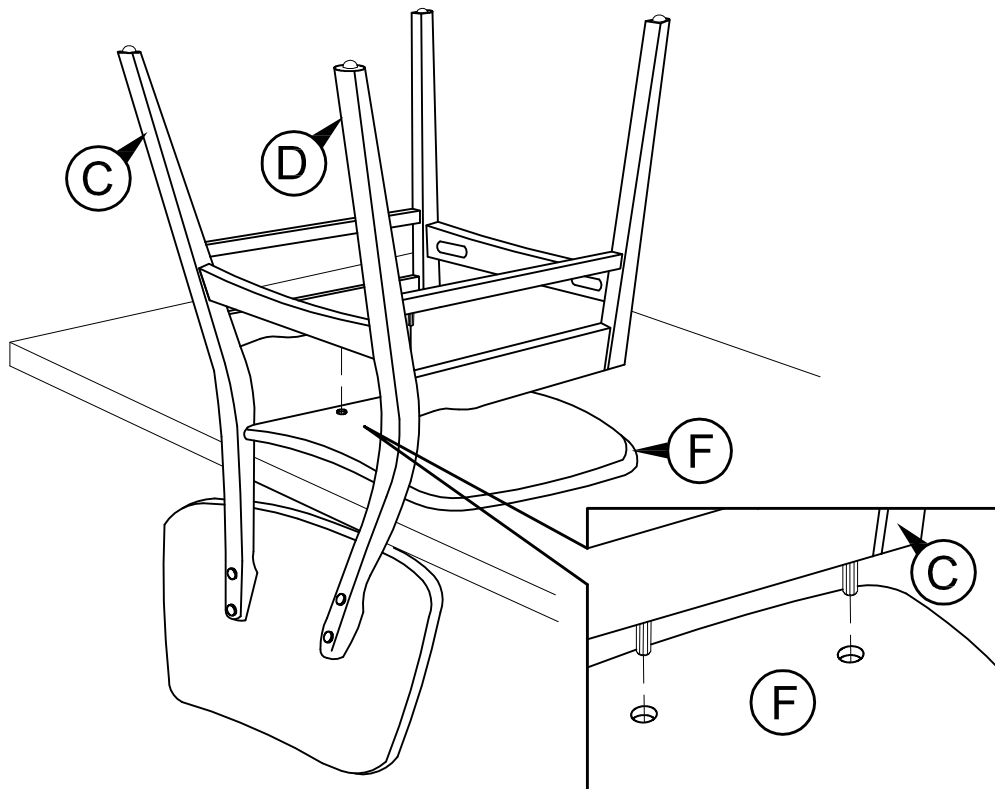
STEP 5 : To level the chair, place the chair on a flat surface and tighten all the bolts using Allen Key (3).



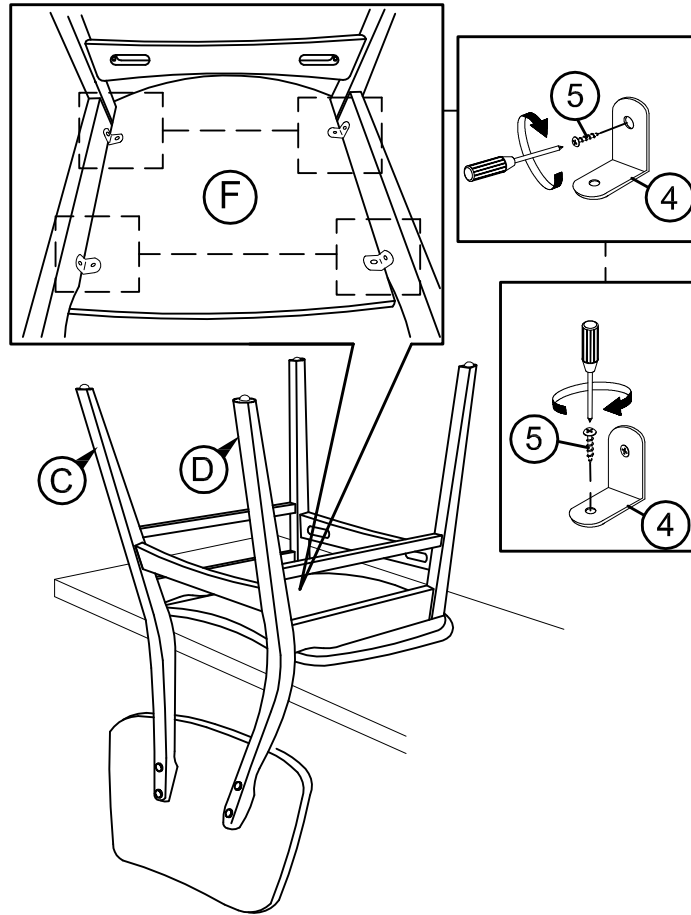
STEP 6 : Insert Wood Dowel (6) into the designated hole on LSF Frame (C) as shown.



STEP 7 : Place the Cushion Seat (F) bottom-side up on a elevated surface (e.g. table top). Then place the chair frame upside down so the wood dowels on the LSF frame (C) are positioned into the Cushion Seat (F).



STEP 8 : Assemble the seat frame (C&D) to the Cushion Seat (F) by using a screwdriver with hardware 4 and 5.



STEP 9 : Place the chair right side up and the assembly is complete.

