



ASSEMBLY INSTRUCTIONS

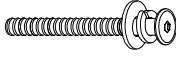
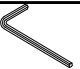
Item No : D1651-11
Oscar 60" Rectangle Table

IMPORTANT NOTE :

- * PLACE ALL WOODEN PARTS ON A CLEAN AND SMOOTH SURFACE SUCH AS A RUG OR CARPET TO AVOID THE PARTS FROM BEING SCRATCHED.
- * PLEASE DO NOT OVERTIGHTEN THE SCREWS TO AVOID CRACKING THE PARTS.
- * BEFORE YOU BEGIN, KINDLY REVIEW THE ASSEMBLY INSTRUCTIONS AND FOLLOW STEP BY STEP.

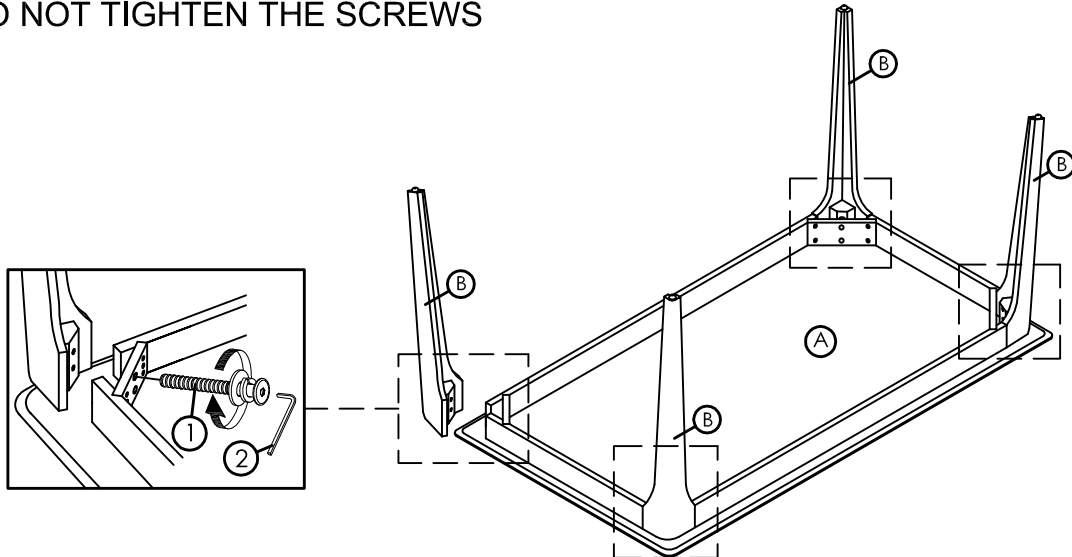
Thank you for purchasing this quality product. Be sure to check all packing materials carefully for small parts, which may have come loose inside the carton during shipment. Identify and count all items and compare with the parts list and/or hardware list shown below.

PARTS LIST			
NO	DESCRIPTION	SKETCH	QTY
A	Table Top		1 Pc
B	Table Leg		4 Pcs

HARDWARE LIST			
NO	DESCRIPTION	SKETCH	QTY
1	JCBB Bolt M8 x 2 6/8" w/ Spring Washer 5/16" and Flat Washer 5/16" x 7/8"		8 Pcs
2	Allen Key M5		1 Pc

STEP 1 : Place the Table Top (A) upside down on a soft and flat surface. Assemble the Table Legs (B) to the Table Top (A) by using Allen Key (2) with hardware 1.

***DO NOT TIGHTEN THE SCREWS**



STEP 2 : To level the table, place the table right side up on a flat surface and tighten the bolts with Allen Key (2).

***DO NOT OVERTIGHTEN THE SCREWS**

