









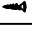



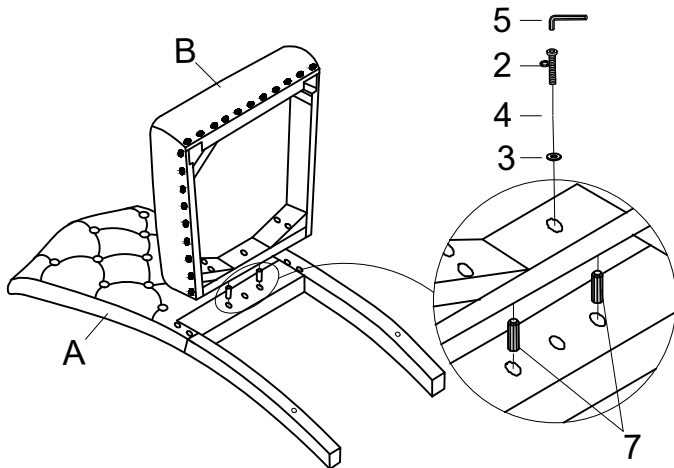
Thank you for purchasing this quality product. Be sure to check all packing materials carefully for small parts, which may have come loose inside the carton during shipment. Identify and count all items and compare with the parts list and/or hardware list shown below.

PARTS LIST FOR CHAIRS			
No.	DESCRIPTION	SKETCH	Q'TY
A	CHAIR BACK		4
B	SEAT		4
C	FRONT LEFT LEG		4
D	FRONT RIGHT LEG		4
E	SIDE STRETCHER		8

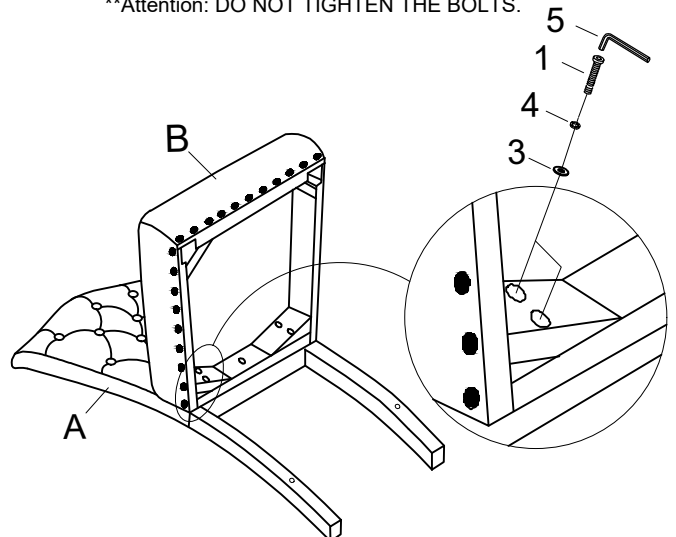
HARDWARE LIST FOR CHAIRS			
No.	DESCRIPTION	SKETCH	Q'TY
1	ALLEN BOLT (5/16" x 3-1/2")		16
2	ALLEN BOLT (5/16" x 2-1/4")		20
3	FLAT WASHER (5/16" x 7/8" x 1/16")		36
4	SPRING WASHER (5/16")		36
5	ALLEN KEY (M5)		4
6	FLAT HEAD SCREW (Ø8 x 1-3/4")		16
7	WOOD DOWEL (Ø10 x 1-1/4")		8

**DO NOT TIGHTEN LEGS UNTIL THE CHAIR IS FULLY ASSEMBLED**

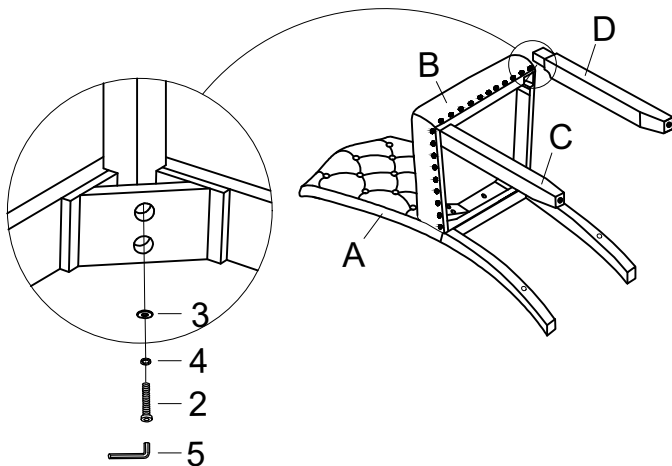
**STEP 1:** Place the chairback (A) on a soft and clean surface. Install the wood dowel (7) to the seat (B) in order to line up the cushion seat (B) with the chair back (A) before assembling the two pieces together by using Allen Key (5) with hardware 2,3 and 4.  
**\*\*Attention: DO NOT TIGHTEN THE BOLTS.**



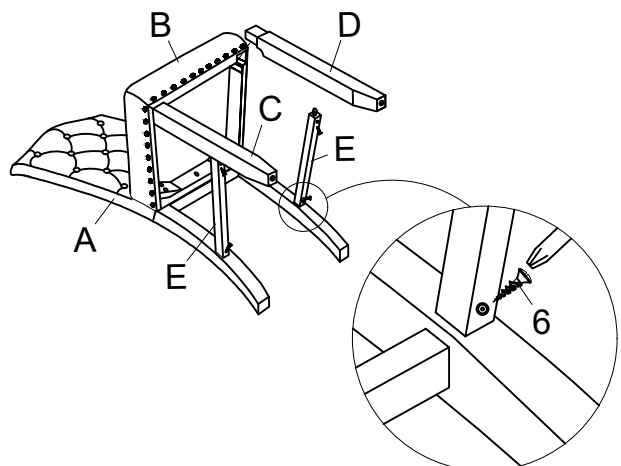
**STEP 2:** Assemble the cushion seat (B) with the back legs of the chairback (A) by using Allen Key (5) with hardware 1,3, and 4.  
**\*\*Attention: DO NOT TIGHTEN THE BOLTS.**



**STEP 3:** Assemble the front legs (C&D) with the Cushion Seat (B) by using Allen Key (5) with hardware 1, 2, and 4.  
**\*\*Attention: DO NOT TIGHTEN THE BOLTS.**

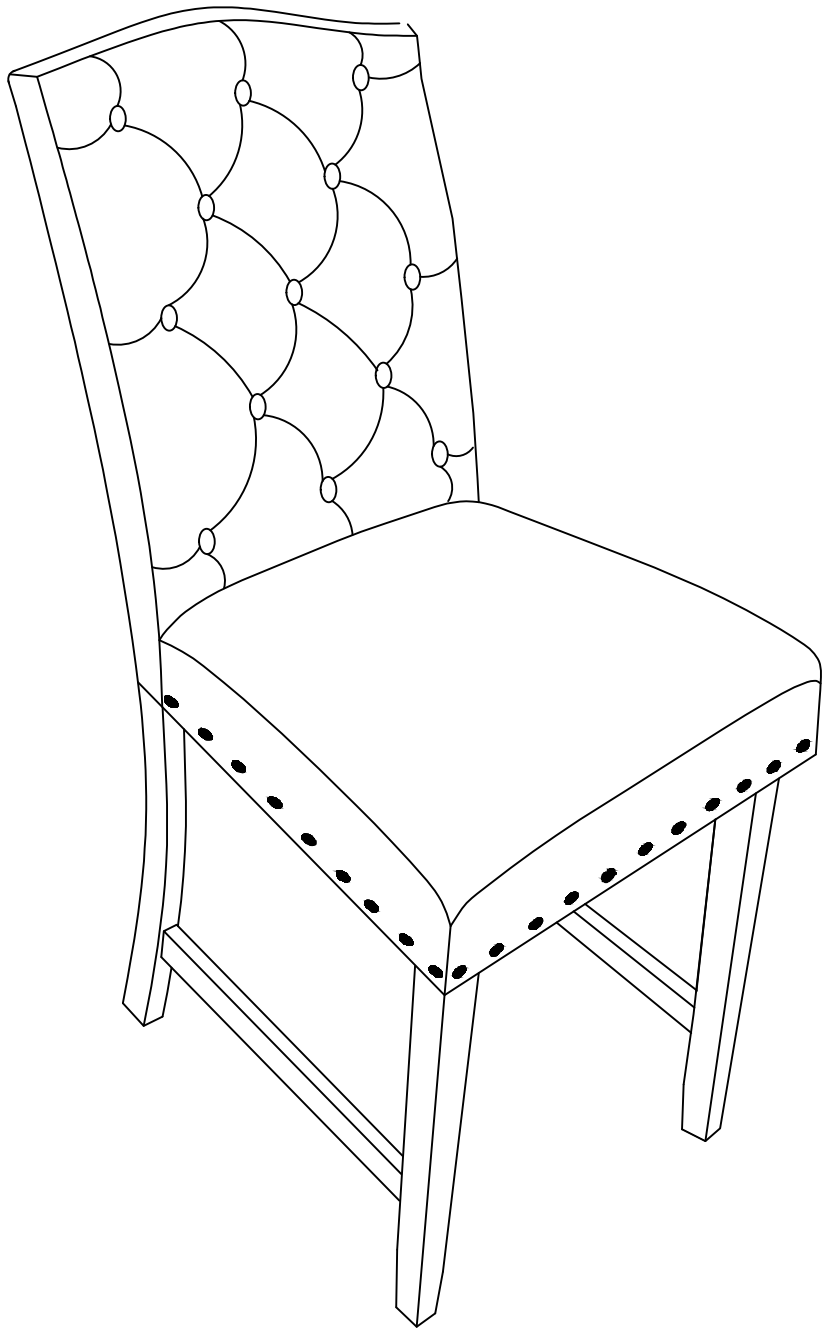


**STEP 4:** Install the side stretchers (E) by inserting the end with the label "front" into the front right leg (C) and front left leg (D)  
**\*\*Attention: DO NOT TIGHTEN THE SCREWS**







MADE IN VIETNAM

STEP 5: To level the chair, stand the chair up on a flat surface and tighten all the bolts by using Allen Key (5) and all the screws with a screwdriver.



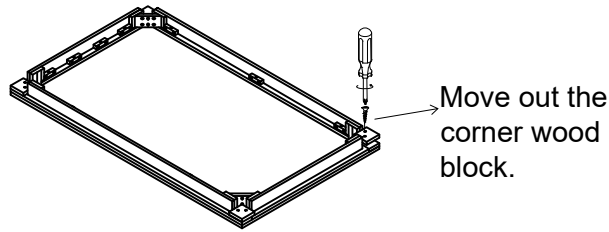
Thank you for purchasing this quality product. Be sure to check all packing materials carefully for small parts, which may have come loose inside the carton during shipment. Identify and count all items and compare with the parts list and/or hardware list shown below.

PARTS LIST FOR TABLE			
No.	DESCRIPTION	SKETCH	Q'TY
F	TABLE TOP		1
G	TABLE LEG		4

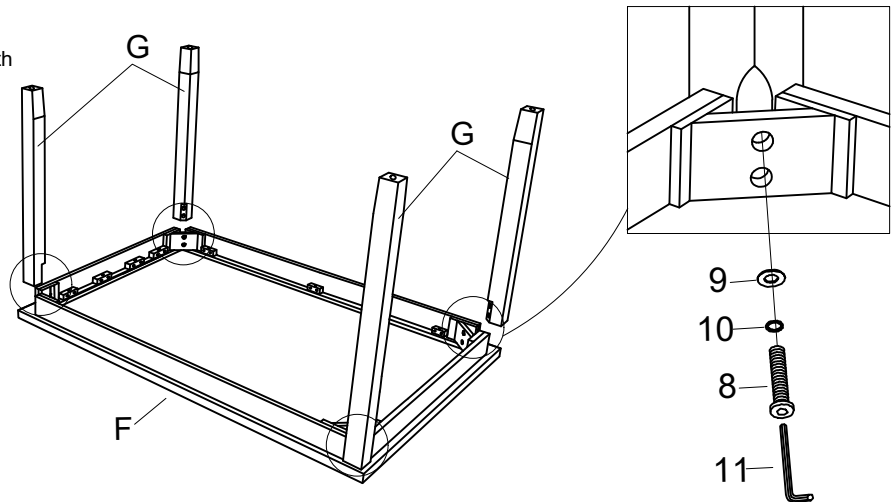
HARDWARE LIST FOR TABLE			
No.	DESCRIPTION	SKETCH	Q'TY
8	ALLEN BOLT (5/16" x 2-1/4")		8
9	FLAT WASHER (5/16" x 7/8" x 1/16")		8
10	SPRING WASHER (5/16")		8
11	ALLEN KEY (M5)		1

**DO NOT TIGHTEN LEGS UNTIL THE TABLE IS FULLY ASSEMBLED**

STEP 1:



STEP 2: Place the table top (F) upside down on a soft and flat surface. Assemble table leg (G) by using Allen Key (11) with hardware 8, 9, and 10.



STEP 3: To level the table, stand the table up on a flat surface and tighten all the bolts by using Allen Key (11).

