

# Assembly Instructions





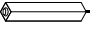
BH1841-110 EMILIE 6'6"/6'0" EK/WK HEADBOARD  
 BH1841-120 EMILIE 6'6"/6'0" EK/WK FOOTBOARD & SLATS  
 BH1841-330 EMILIE 5'0"/6'6" Q/EK SIDE RAILS  
 BH1841-230 EMILIE 6'0" WK SIDE RAILS

Thank you for purchasing this quality product. Be sure to check all packing material carefully for small parts, which may have come loose inside the carton during shipment. Identify, count all parts and compare with the **HARDWARE LIST** below.

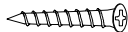
**Caution:** Please read the instructions thoroughly before assembly.

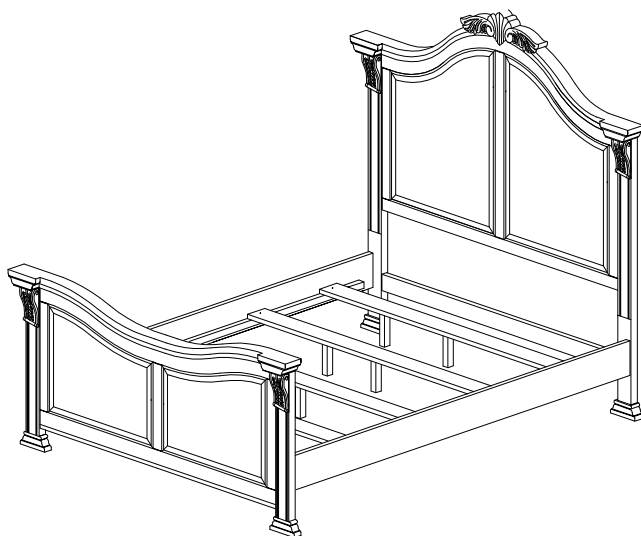
1. We recommend that you assemble this product with the assistance of another person: this will make the assembly easier, and will help eliminate damage to the product or injury to persons during assembly.
2. Please do not over tighten screws or bolts until the assembly is completed.
3. Please put all parts on a non-abrasive floor before assembly, and follow the assembly steps to assemble your newly purchased product correctly and efficiently

## PART LISTS

NO:	COMPONENT	DRAWING	Q'TY
A	Headboard		1PC
B	Footboard		1PC
C	Side Rail		2PCS
D	Slats		4PCS
E	Support Leg		8PCS

## HARDWARE LISTS

NO:	COMPONENT	DRAWING	Q'TY
1	Screw #8*1-1/4"L		8PCS



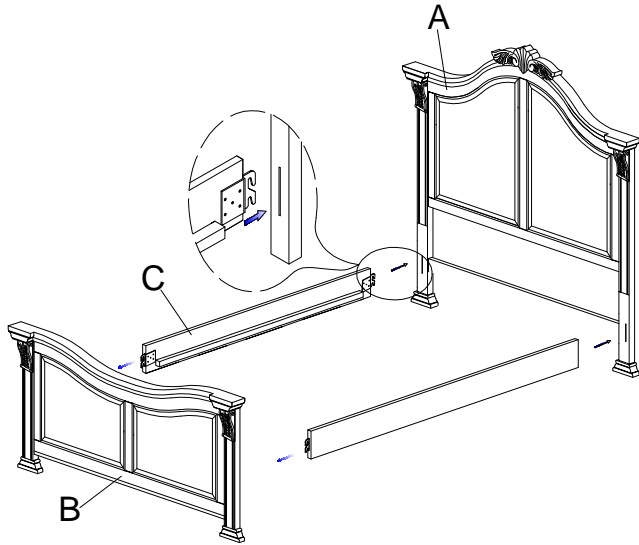


New  
Classic<sup>®</sup>  
FURNITURE

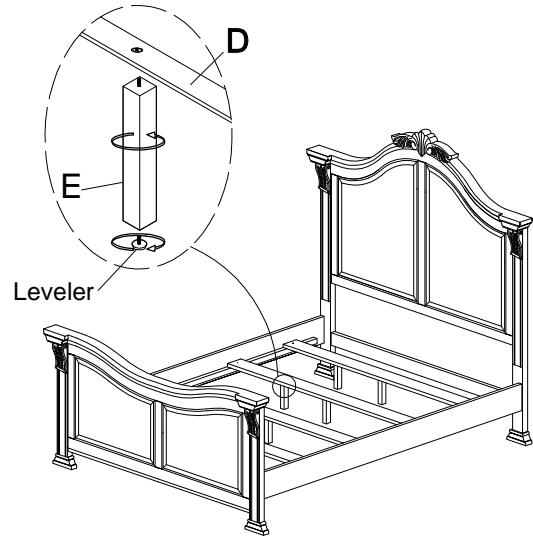
# Assembly Instructions

- BH1841-110 EMILIE 6'6"/6'0" EK/WK HEADBOARD
- BH1841-120 EMILIE 6'6"/6'0" EK/WK FOOTBOARD & SLATS
- BH1841-330 EMILIE 5'0"/6'6" Q/EK SIDE RAILS
- BH1841-230 EMILIE 6'0" WK SIDE RAILS

## STEP 1



## STEP 2



## STEP 3

