

Assembly Instructions


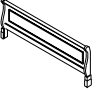
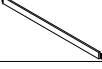

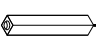

BH1040/013-310 Versailles/Belle Rose 5/0 Q Headboard
 BH1040/013-320 Versailles/Belle Rose 5/0 Q Footboard W/Slats
 BH1040/013-330 Versailles/Belle Rose 6/6 and 5/0 Side Rails

Thank you for purchasing this quality product. Be sure to check all packing material carefully for small parts, which may have come loose inside the carton during shipment. Identify, count all parts and compare with the **HARDWARE LIST** below.

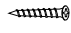
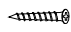
Caution: Please read the instructions thoroughly before assembly.

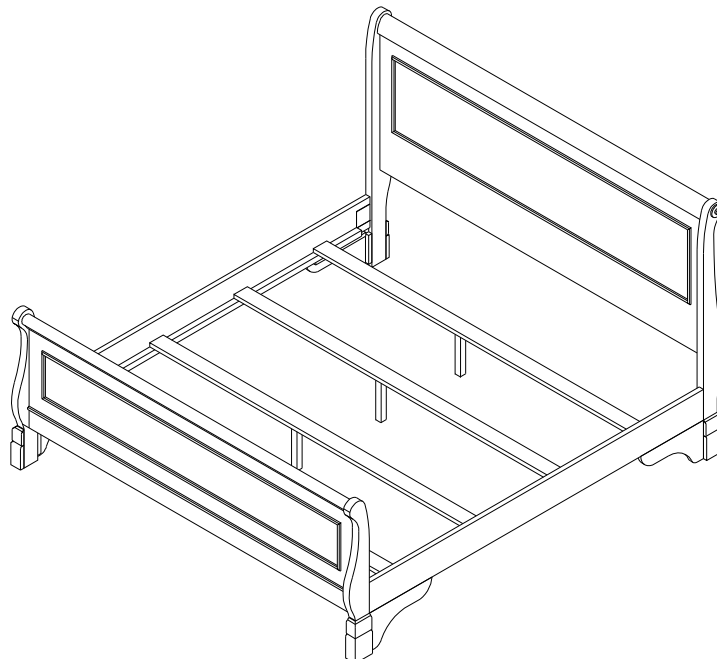
1. We recommend that you assemble this product with the assistance of another person: this will make the assembly easier, and will help eliminate damage to the product or injury to persons during assembly.
2. Please do not over tighten screws or bolts until the assembly is completed.
3. Please put all parts on a non-abrasive floor before assembly, and follow the assembly steps to assemble your newly purchased product correctly and efficiently

PART LISTS

NO:	COMPONENT	DRAWING	Q'TY
A	Headboard		1PC
B	Footboard		1PC
C	Side Rail		2PCS
D	Slats		4PCS
E	Support Legs		4PCS
F	Rail Trim		4PCS

HARDWARE LISTS

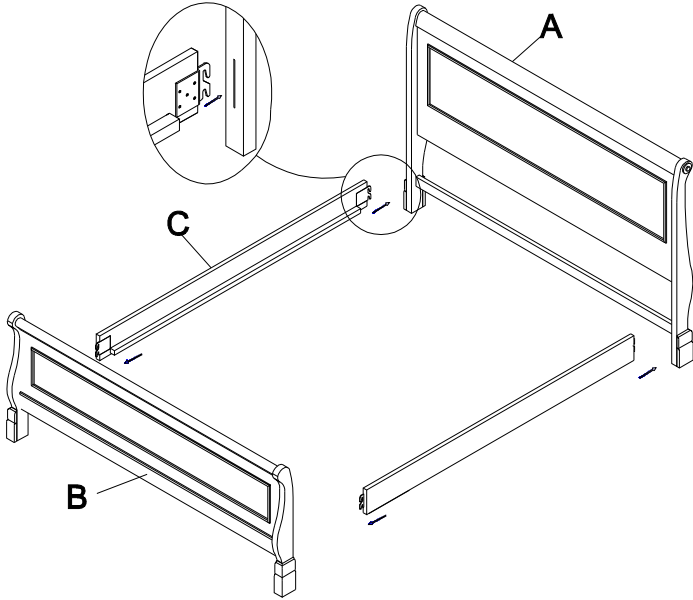
NO:	COMPONENT	DRAWING	Q'TY
1	Screw: #8*32mm		8pcs
2	Screw: #8*25mm		20pcs



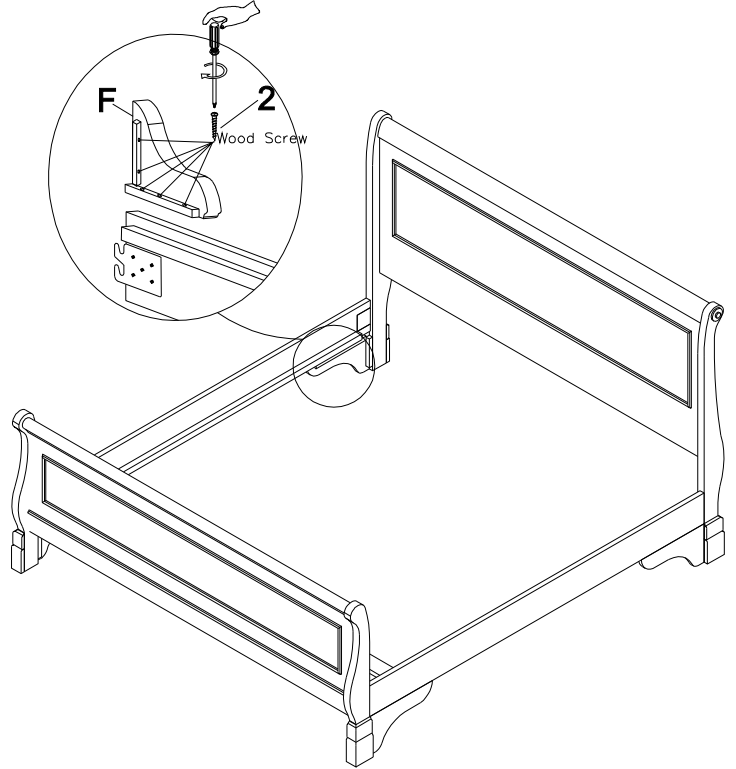
Assembly Instructions

BH1040/013-310 Versailles/Belle Rose 5/0 Q Headboard
 BH1040/013-320 Versailles/Belle Rose 5/0 Q Footboard W/Slats
 BH1040/013-330 Versailles/Belle Rose 6/6 and 5/0 Side Rails

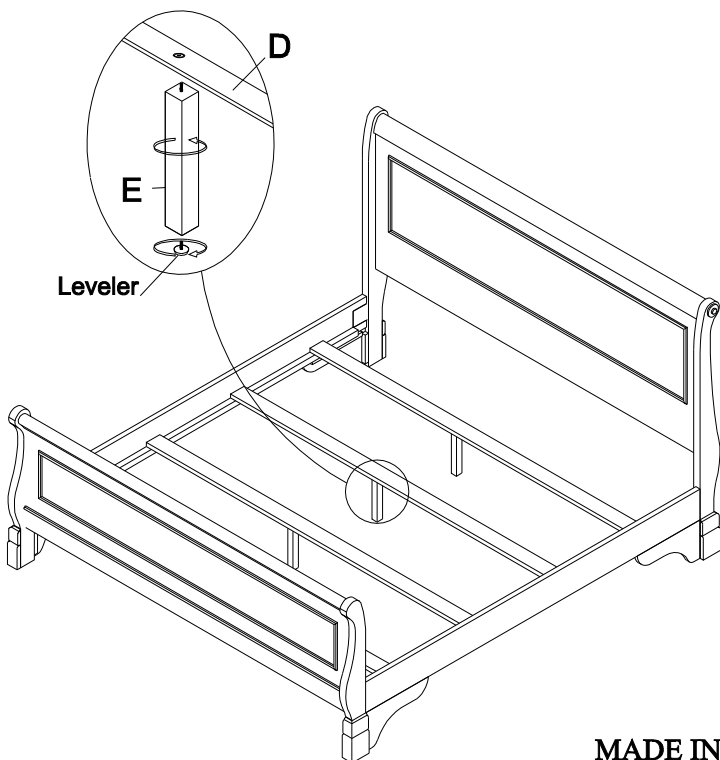
STEP 1



STEP 2



STEP 3



STEP 4

