

ASSEMBLY INSTRUCTIONS

TAMARACK

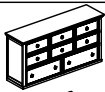


BB044-060 MIRROR

Thank you for purchasing this quality product. Be sure to check all packing materials carefully for small parts, which may have come loose inside the carton during shipment. Identify and count all items and compare with the parts list and/or hardware list shown below.

IMPORTANT NOTE :

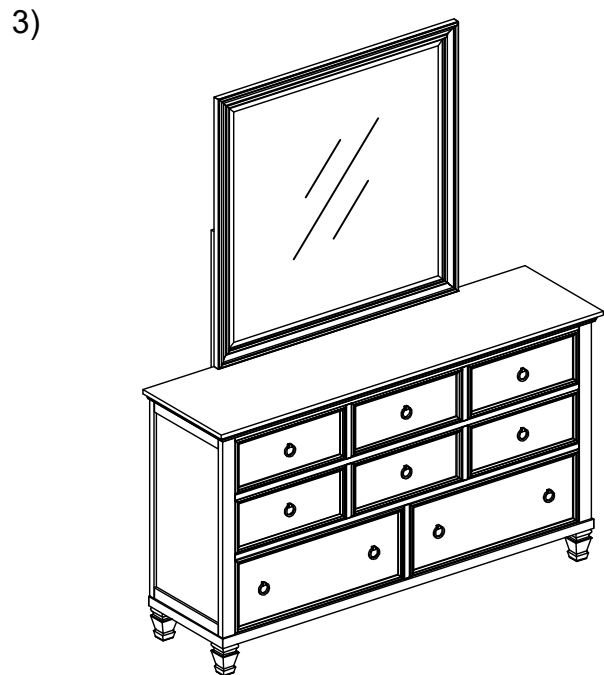
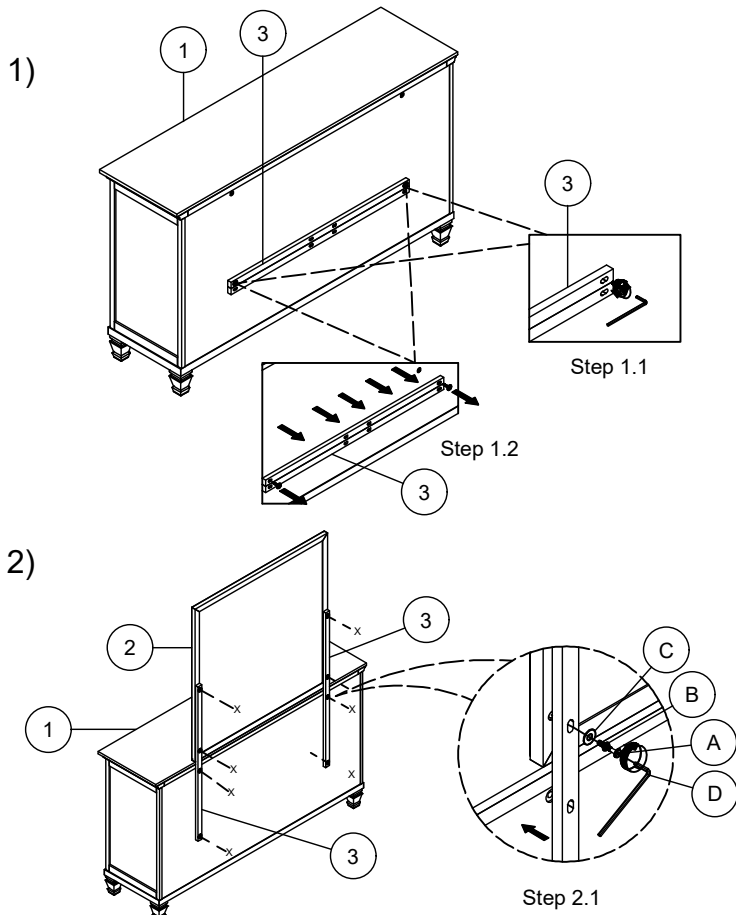
Place all wooden parts on a clean and smooth surface such as a rug or carpet to avoid the parts from being scratched. Check to be sure that you have all parts and hardware. Remove all wrapping materials, including staples & packing straps before you start to assemble. Do not tighten all screw/bolts until all completely assembled. Keep all hardware parts out of reach of children.

DO NOT TIGHTEN BOLTS/SCREWS UNTIL ALL COMPLETELY ASSEMBLED.

PARTS LIST			
NO.		DESCRIPTION	QTY
1		DRESSER	1 PC
2		MIRROR	1 PC
3		MIRROR SUPPORT	2 PCS

HARDWARE LIST			
NO.		DESCRIPTION	QTY
A		JCBC BOLT M6 x 35mm	6 PCS
B		SPRING WASHER M6	6 PCS
C		FLAT WASHER M6 x 19mm	6 PCS
D		ALLEN KEY M4	1 PCS

- Gently use Allen Key and release 2 set Screw on Mirror support from back Dresser. look at instruction step 1.1.
- Take out Mirror support from back Dresser and rotate Mirror support to vertical position. follow Instruction step 1.2 and step 2.1.
- Follow instruction 2.1 .Then tighten every single each screw at mirror support.



New Classic Home Furnishings