

Assembly Instructions

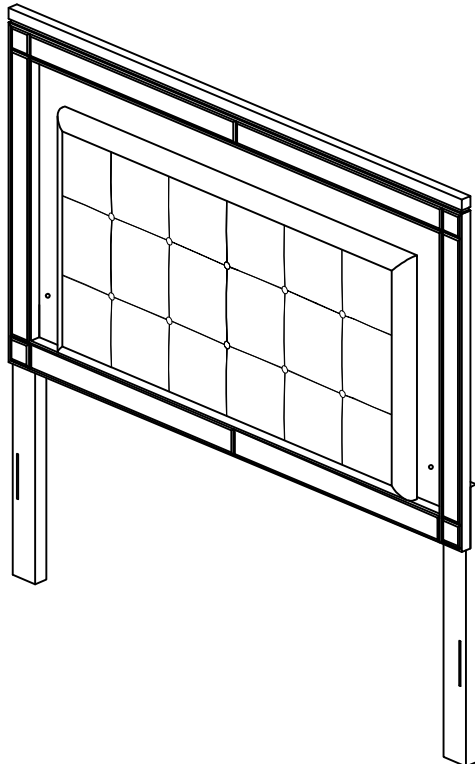
VALENTINO 6/6-6/0 K LIGHTED HEADBOARD / BA9698-110

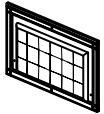

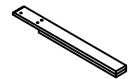
VALENTINO 5/0 Q LIGHTED HEADBOARD / BA9698-310




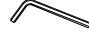
VALENTINO 4/6 F LIGHTED HEADBOARD / BA9698-410

VALENTINO 3/3 T LIGHTED HEADBOARD / BA9698-510

Thank you for purchasing this quality product. Be sure to check all packing materials carefully for small parts, which may have come loose inside the carton during shipment. Identify and count all items and compare with the parts list and hardware list shown below.



PARTS LIST			
NO	DESCRIPTION	SKETCH	QTY
1	HEADBOARD		1 PC
2	LEG (LEFT)		1 PC
3	LEG (RIGHT)		1 PC

HARDWARE LIST			
NO	DESCRIPTION	SKETCH	QTY
A	JCBB BOLT - M8 x 35mm		6 PCS
B	SPRING WASHER - M8		6 PCS
C	FLAT WASHER - M8		6 PCS
D	ALLEN KEY - M5		1 PC

**STEP 1**

