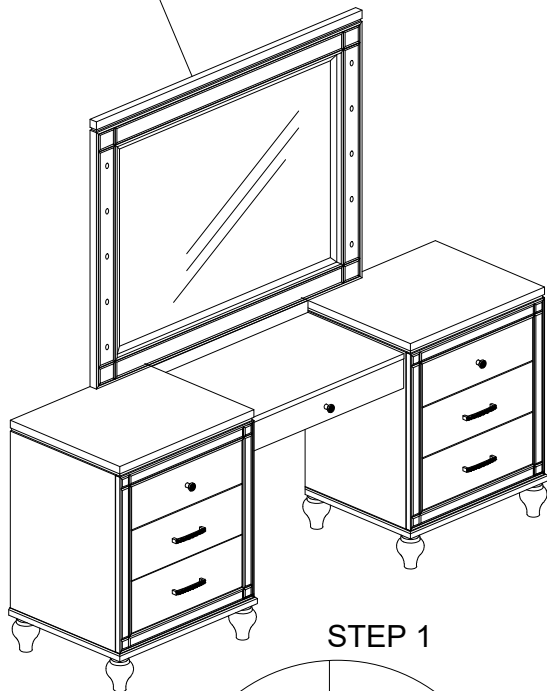


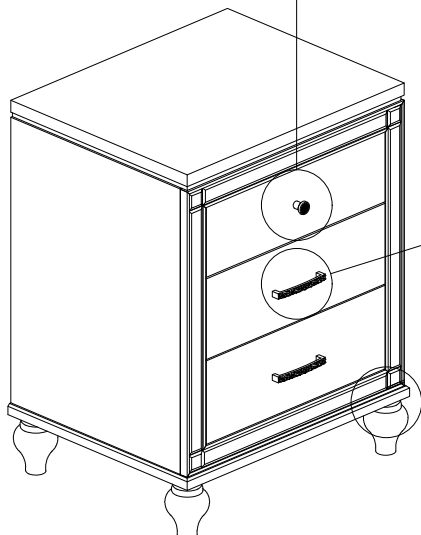
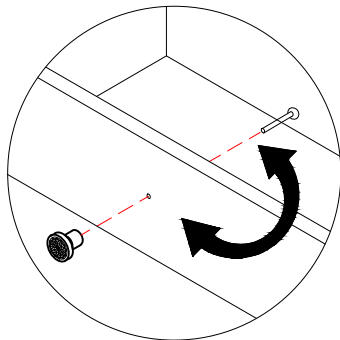
Assembly Instructions  
VALENTINO BA9698-090/091



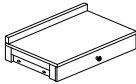

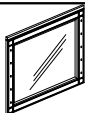
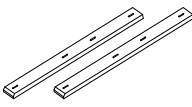
Thank you for purchasing this quality product. Be sure to check all packing materials carefully for small parts, which may have come loose inside the carton during shipment. Identify and count all items and compare with the parts list and hardware list shown below.






★ CAUTION: DO NOT USE LIGHT BULBS OVER 25 WATT  
TYPE: 120V G50 E12



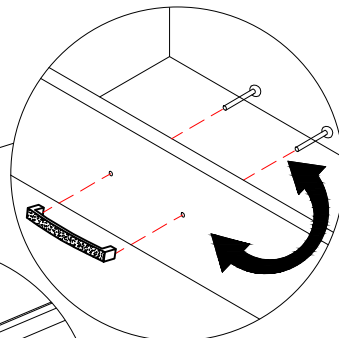
STEP 1



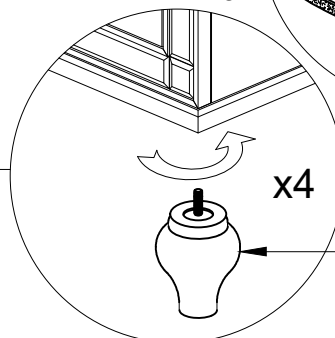
PARTS LIST			
NO	DESCRIPTION	SKETCH	QTY
1	VANITY DESK (LEFT)		1 PC
2	VANITY DESK (RIGHT)		1 PC
3	VANITY CENTER DRAWER		1 PC
4	BUN FOOT		8 PCS
5	VANITY MIRROR		1 PC
6	MIRROR SUPPORT		2 PCS

HARDWARE LIST			
NO	DESCRIPTION	SKETCH	QTY
A	JCBC BOLT - M6 x 35mm(for mirror use)		8 PCS
B	JCBC BOLT - M6 x 40mm		4 PCS
C	SPRING WASHER - M6		12 PCS
D	FLAT WASHER - M6		12 PCS
E	ALLEN KEY - M4		1 PC

STEP 3

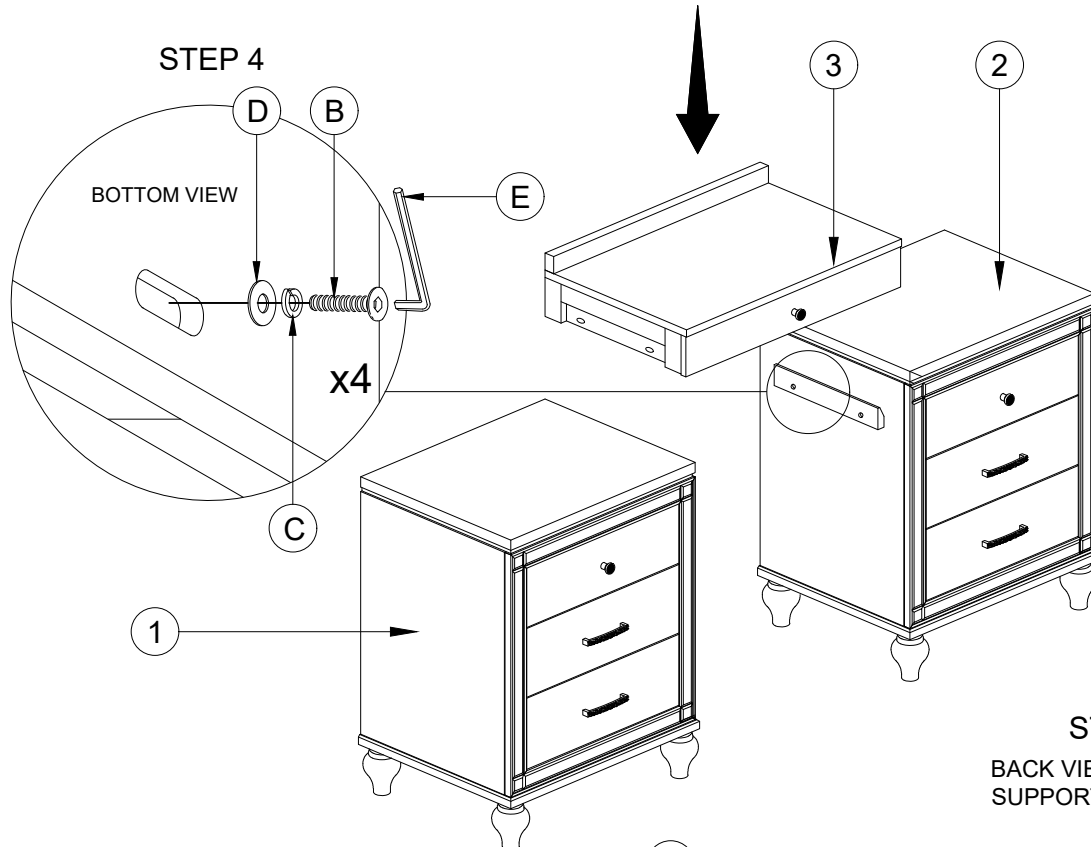


STEP 2



Assembly Instructions  
VALENTINO BA9698-090/091

Thank you for purchasing this quality product. Be sure to check all packing materials carefully for small parts, which may have come loose inside the carton during shipment. Identify and count all items and compare with the parts list and hardware list shown below.



**STEP 5**  
BACK VIEW OF MIRROR SUPPORT

