



Assembly Instructions

B992-310: MONIQUE 5/0 QUEEN HEADBOARD

B992-320: MONIQUE 5/0 QUEEN PANEL FOOTBOARD & SLATS

B992-330: MONIQUE 5/0-6/6 Q/EK PANEL SIDE RAILS

Thank you for purchasing this quality product. Be sure to check all packing materials carefully for small parts, which may have come loose inside the carton during shipment. Identify and count all items and compare with the PARTS LIST and/or HARDWARE LIST shown below.

CAUTION: Please read the instructions thoroughly before assembly.

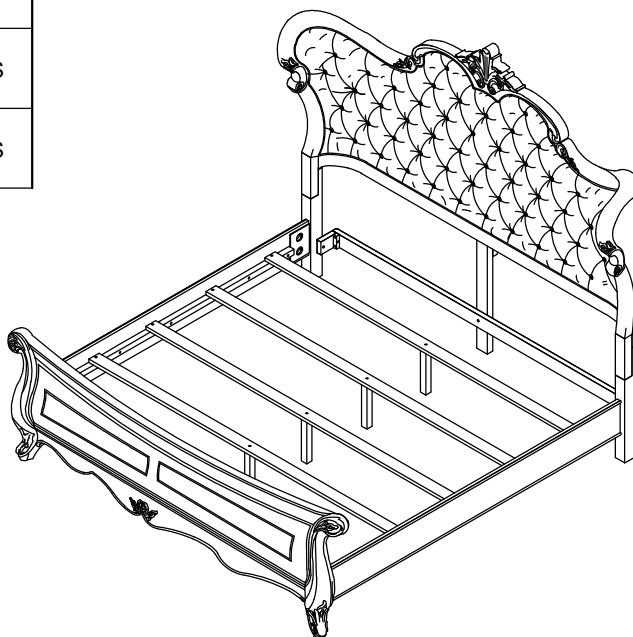
1. We recommend that you assemble this product with the assistance of another person; this will make the assembly easier, and will help eliminate damage to the product or injury to persons during assembly.
2. Please do not over tighten screws or bolts until the assembly is completed.
3. Please put all parts on a non-abrasive floor before assembly, and follow the assembly steps to assemble your newly purchased product correctly and efficiently.

PARTS LIST

NO:	COMPONENT	DRAWING	Q'TY
A	HEADBOARD		1PC
B	FOOTBOARD		1PC
C	SIDE RAIL		2PCS
D	LEFT LEG HEADBOARD		1PC
E	RIGHT LEG HEADBOARD		1PC
F	CENTER POST		1PC
G	HEADBOARD SLAT		1PC
H	SLATS		4PCS
I	SUPPORT LEGS		4PCS

HARDWARE LIST

NO:	COMPONENT	DRAWING	Q'TY
1	Bolt $\Phi 5/16$ "x50mmL		9PCS
2	Flat washer $\Phi 5/16$ "		9PCS
3	Lock washer $\Phi 5/16$ "		9PCS
4	Allen Key 4mm		1PC
5	Threaded Bolt $\Phi 5/16$ "x90mmL		8PCS
6	Flat washer		8PCS
7	Hex Nut $\Phi 5/16$ "		8PCS
8	Wood screw $\Phi 8$ x30mmL		8PCS
9	$\Phi 5/16$ " Wrench 12mm		1PC





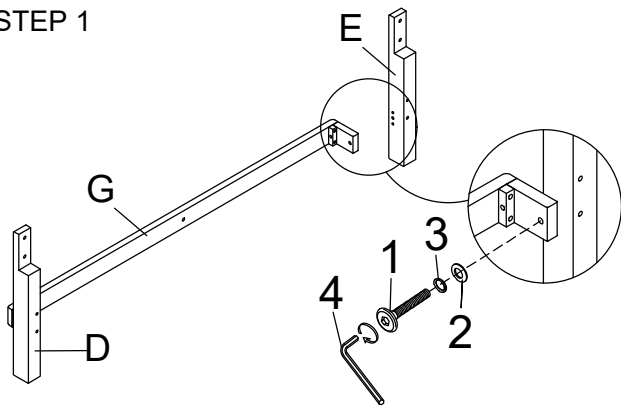
Assembly Instructions

B992-310: MONIQUE 5/0 QUEEN HEADBOARD

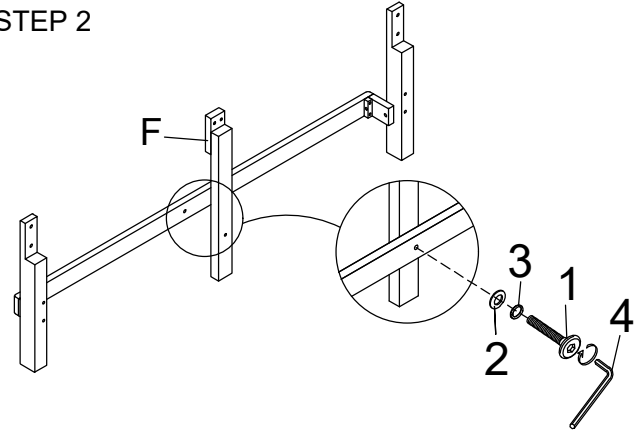
B992-320: MONIQUE 5/0 QUEEN PANEL FOOTBOARD & SLATS

B992-330: MONIQUE 5/0-6/6 Q/EK PANEL SIDE RAILS

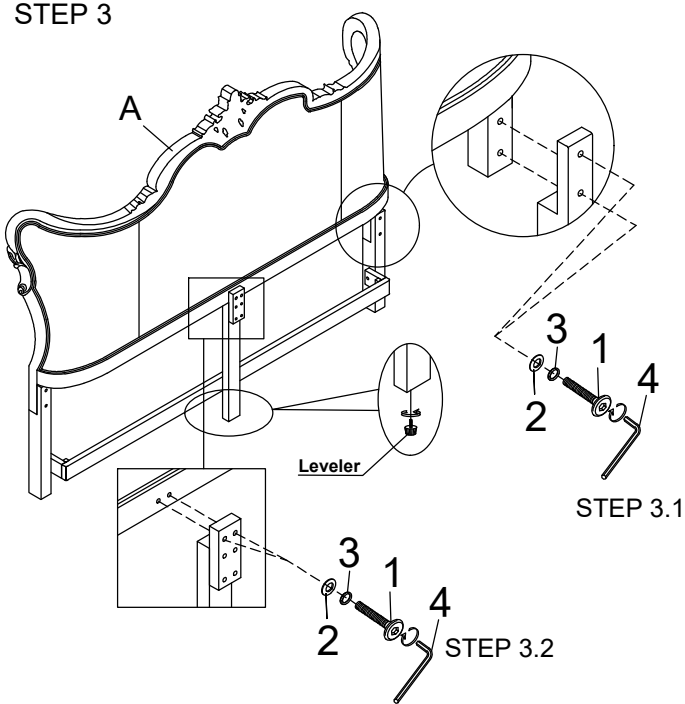
STEP 1



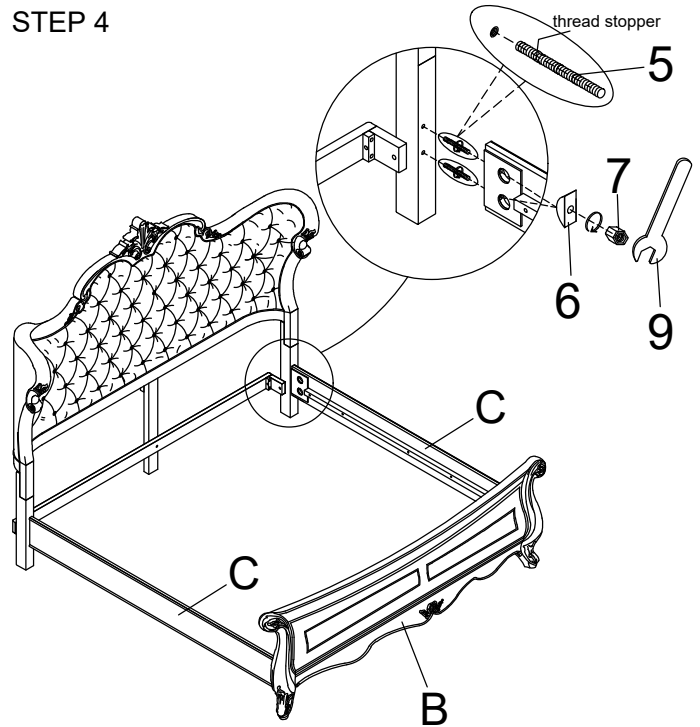
STEP 2



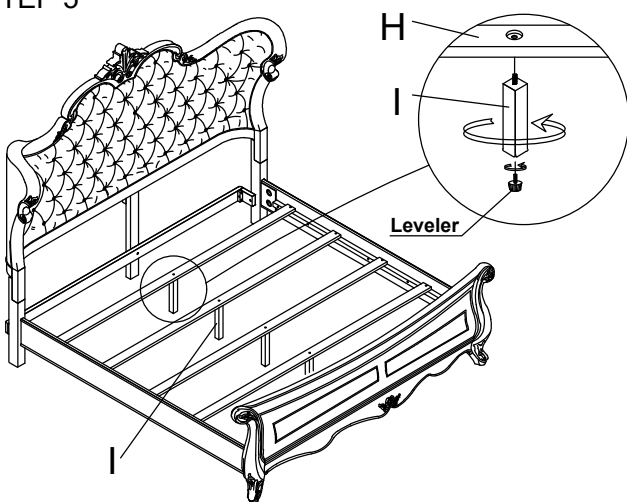
STEP 3



STEP 4



STEP 5



STEP 6

