



New
Classic®
FURNITURE

Assembly Instructions

B976-110 RADIANCE 6/6-6/0 K HEADBOARD

B976-128 RADIANCE 6/6-6/0 K STORAGE FOOTBOARD & SLATS

B976-338 RADIANCE 5/0-6/6 Q/EK STG BED SIDE RAILS

Thank you for purchasing this quality product. Be sure to check all packing materials carefully for small parts, which may have come loose inside the carton during shipment. Identify and count all items and compare with the parts list and hardware list shown below.

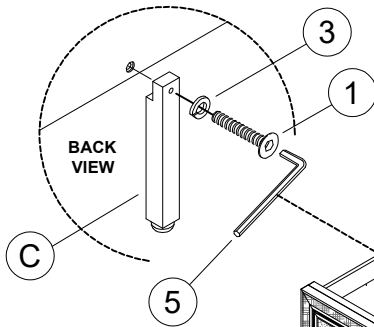
PARTS LIST			
NO	DESCRIPTION	SKETCH	QTY
A	HEADBOARD		1 PC
B	FOOTBOARD		1 PC
C	INNER BOX SUPPORT		2 PCS
D	SIDE RAIL		2 PCS
E	SLAT		1 SET
F	CENTER SLAT		2 PCS
G	SLAT SUPPORT		6 PCS

HARDWARE LIST			
NO	DESCRIPTION	SKETCH	QTY
1	JCBC BOLT - M6 x 1 3/8"		2 PCS
2	JCBC BOLT - M6 x 1 5/8"		6 PCS
3	SPRING WASHER - M6		8 PCS
4	CSK SCREW - M4 x 1 1/4"		24 PCS
5	ALLEN KEY - M4		1 PC

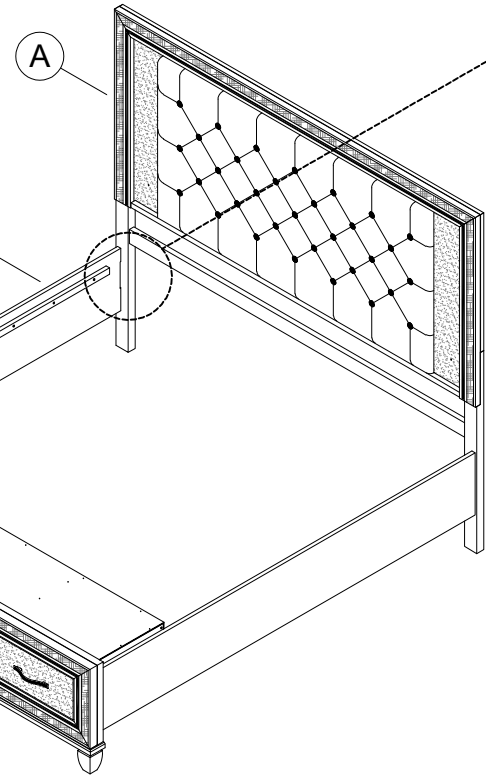
PLACE WOOD PARTS ON A CLEAN NON-ABRASIVE SURFACE

STEP 1 : Install the INNER BOX SUPPORT (C) to the FOOTBOARD (B) by using the ALLEN KEY (5) with hardware (1) and (3)

Adjust height of the adjuster for stability and levelling.

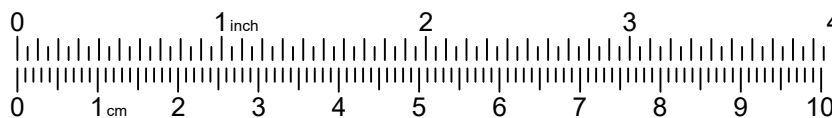


STEP 2 : Remove the drawer handle and re-install the handle on the outside.



STEP 3 : Hook the SIDE RAIL (D) to the HEADBOARD (A) closely and push down to fit it.

Repeat STEP 3 with other end of rail to hook onto the FOOTBOARD (B).





New
Classic®
FURNITURE

Assembly Instructions

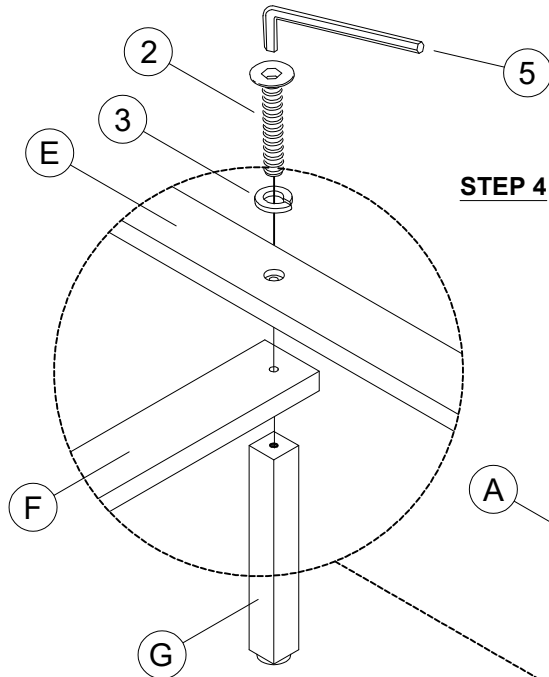
B976-110 RADIANCE 6/6-6/0 K HEADBOARD

B976-128 RADIANCE 6/6-6/0 K STORAGE FOOTBOARD & SLATS

B976-338 RADIANCE 5/0-6/6 Q/EK STG BED SIDE RAILS

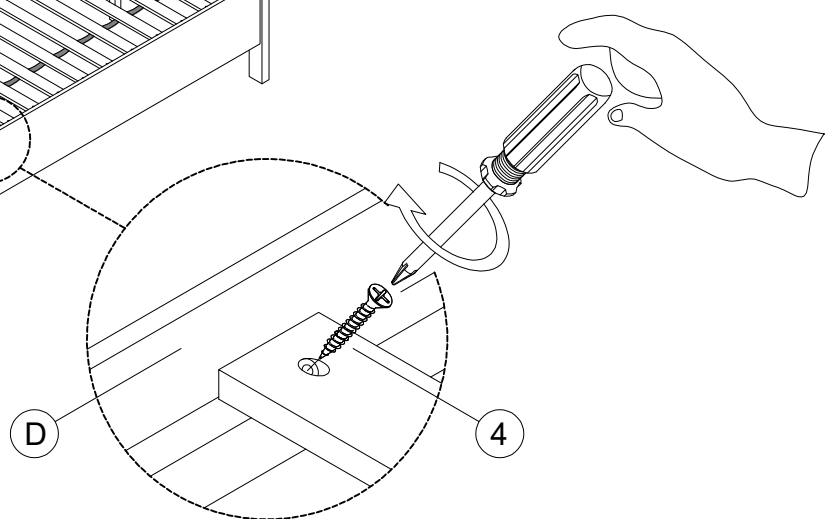
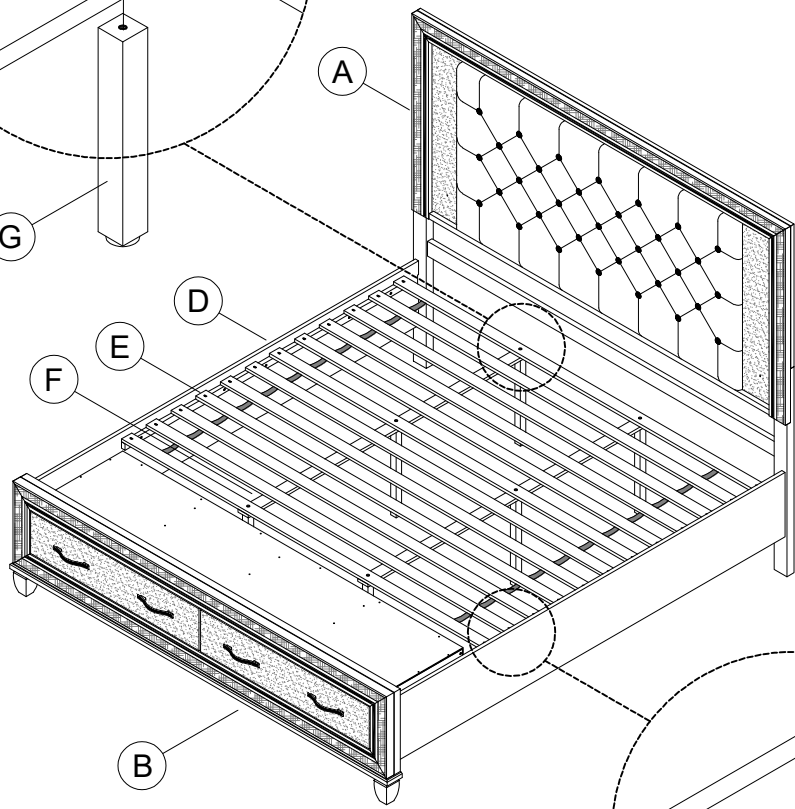
Thank you for purchasing this quality product. Be sure to check all packing materials carefully for small parts, which may have come loose inside the carton during shipment. Identify and count all items and compare with the parts list and hardware list shown below.

PLACE WOOD PARTS ON A
CLEAN NON-ABRASIVE SURFACE



STEP 4 : Install the SLAT SUPPORT (G) to the SLAT (E) and CENTER SLAT (F) by using the ALLEN KEY (5) with hardware (2) and (3)

Adjust height of the adjuster for stability and levelling.



STEP 5 : Install the SLAT (E) to the SIDE RAIL (D) by using the screwdriver and CSK SCREW (4).

