




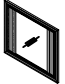

New
Classic®
FURNITURE

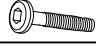



Assembly Instructions

B976-050 RADIANCE DRESSER

B976-060 RADIANCE MIRROR

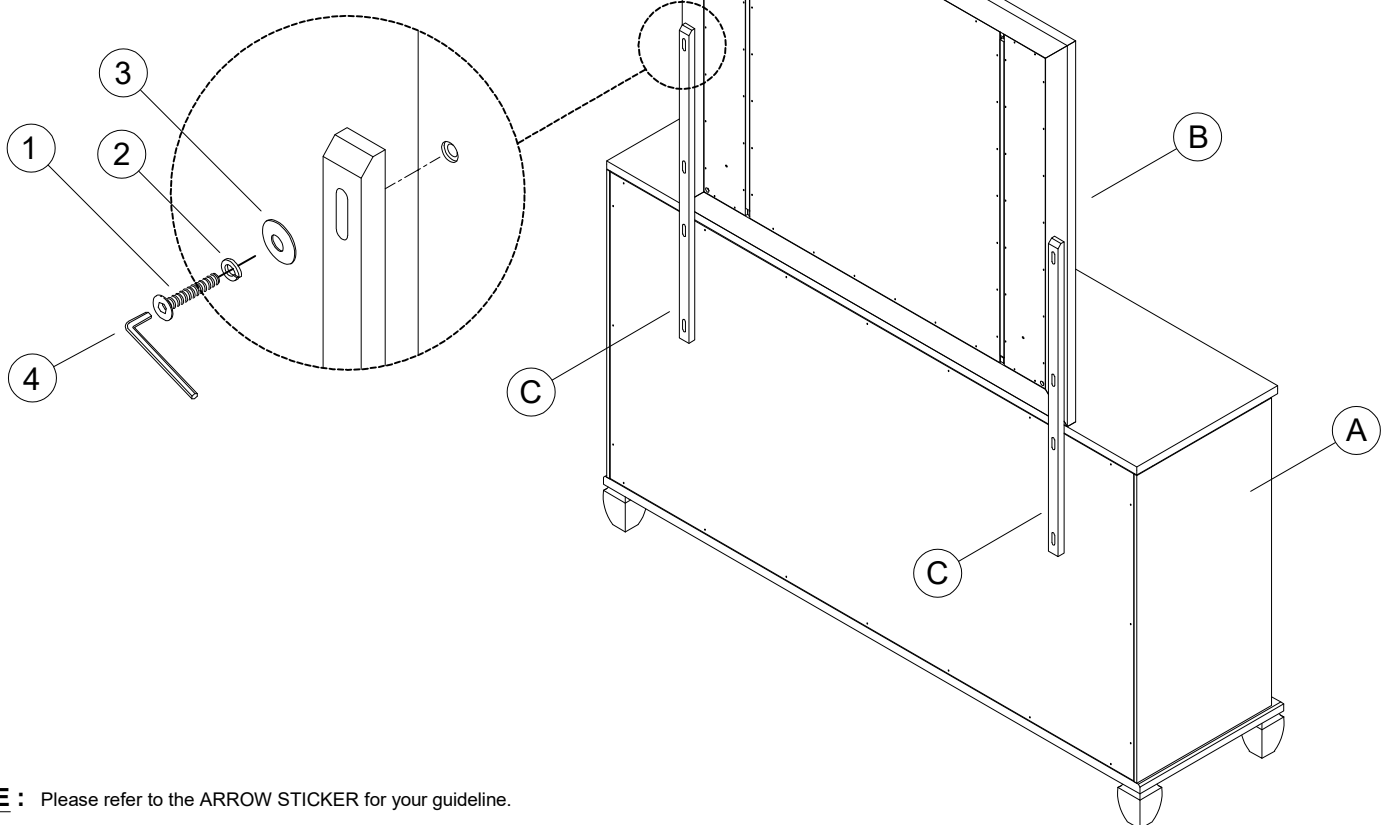
Thank you for purchasing this quality product. Be sure to check all packing materials carefully for small parts, which may have come loose inside the carton during shipment. Identify and count all items and compare with the parts list and hardware list shown below.

| PARTS LIST | | | |
|------------|----------------|---|-------|
| NO | DESCRIPTION | SKETCH | QTY |
| A | DRESSER |  | 1 PC |
| B | MIRROR |  | 1 PC |
| C | MIRROR SUPPORT |  | 2 PCS |

| HARDWARE LIST | | | |
|---------------|-------------------------|---|-------|
| NO | DESCRIPTION | SKETCH | QTY |
| 1 | JCBC BOLT - M6 x 1 3/8" |  | 8 PCS |
| 2 | SPRING WASHER - M6 |  | 8 PCS |
| 3 | FLAT WASHER - M6 |  | 8 PCS |
| 4 | ALLEN KEY - M4 |  | 1 PC |

PLACE WOOD PARTS ON A
CLEAN NON-ABRASIVE SURFACE

STEP 1 : Install the MIRROR SUPPORT (C) to the MIRROR (B) and DRESSER (A) by using the ALLEN KEY (4) with hardware (1), (2) and (3).



NOTE : Please refer to the ARROW STICKER for your guideline.

