

Assembly Instructions




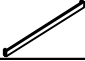


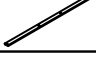
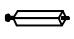
B704-110 FAIRFAX COUNTY 6/6-6/0 EK/WK HEADBOARD
 B704-120 FAIRFAX COUNTY 6/6-6/0 EK/WK FOOTBOARD & SLATS
 B704-330 FAIRFAX COUNTY 5/0-6/6 Q/EK SIDE RAILS
 B704-230 FAIRFAX COUNTY 6/0 WK SIDE RAILS

Thank you for purchasing this quality product. Be sure to check all packing materials carefully for small parts, which may have come loose inside the carton during shipment. Identify and count all items and compare with the PARTS LIST and/or HARDWARE LIST shown below.








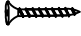
Caution: Please read the instructions thoroughly before assembly.

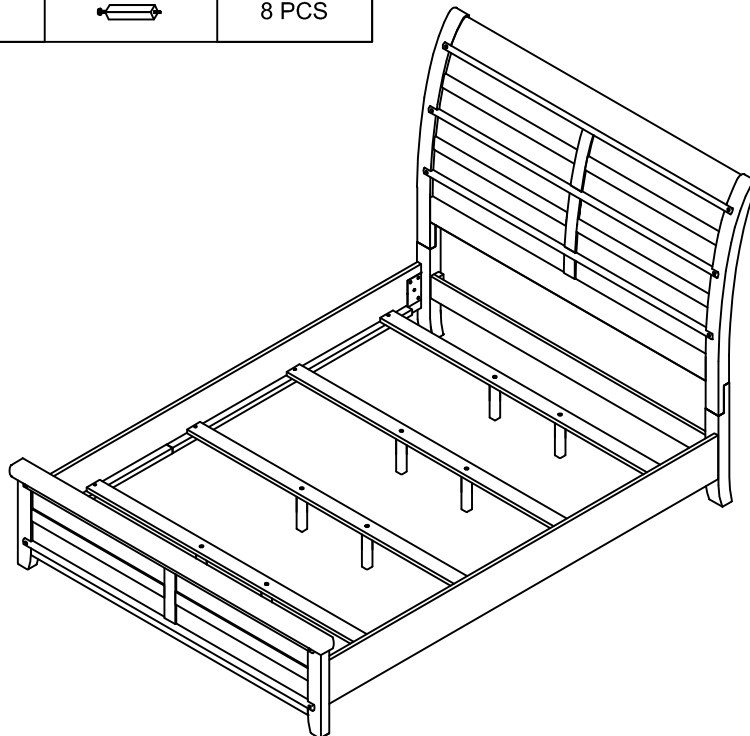
1. We recommend that you assemble this product with the assistance of another person: this will make the assembly easier, and will help eliminate damage to the product or injury to person during assembly.
2. Please do not over tighten screws or bolts until the assembly is completed.
3. Please put all parts on a non-abrasive floor before assembly, and follow the assembly steps to assemble your newly purchased product correctly and efficiently.

PARTS LIST

NO:	COMPONENT	ADRAWING	Q'TY
A	Headboard		1 PC
B	Footboard		1 PC
C	Side Rails		2 PCS
D	Headboard Crossbar		1 PC
E	Left Leg		1 PC
F	Right Leg		1 PC
G	Slats		4 PCS
H	Support Legs		8 PCS

HARDWARE LIST

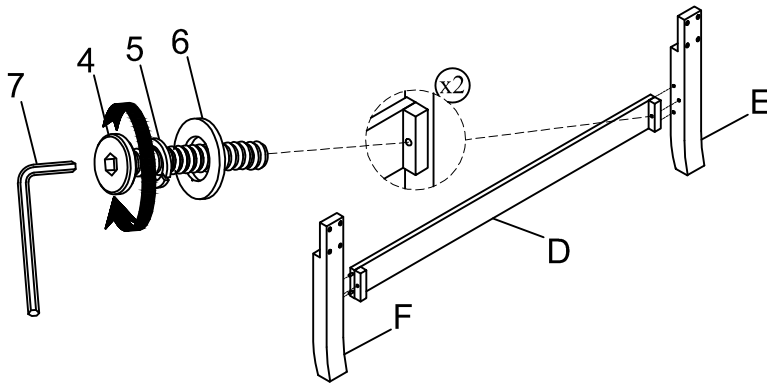
NO:	COMPONENT	ADRAWING	Q'TY
1	Bolt Ø5/16"x45mmL		8 PCS
2	Lock Washer Ø5/16"		8 PCS
3	Flat Washer Ø5/16"x19mm		8 PCS
4	Bolt Ø1/4"x38mmL		2 PCS
5	Lock Washer Ø1/4"		2 PCS
6	Flat Washer Ø1/4"x19mm		2 PCS
7	Allen key 4mm		1 PC
8	Screw #8*30mm		8 PCS



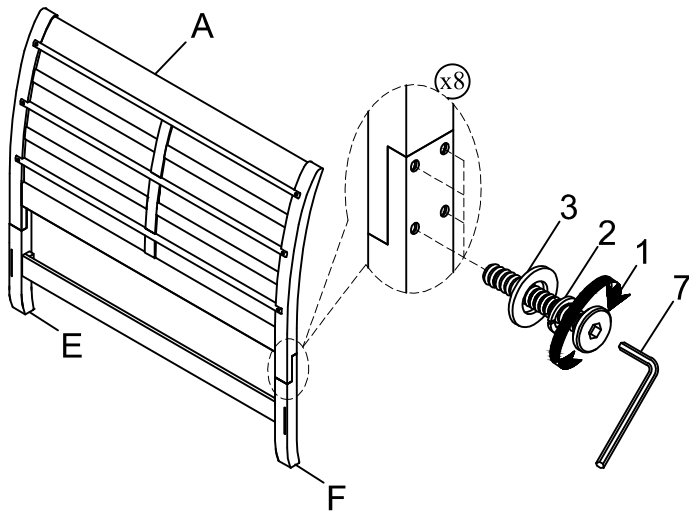
Assembly Instructions

B704-110 FAIRFAX COUNTY 6/6-6/0 EK/WK HEADBOARD
 B704-120 FAIRFAX COUNTY 6/6-6/0 EK/WK FOOTBOARD & SLATS
 B704-330 FAIRFAX COUNTY 5/0-6/6 Q/EK SIDE RAILS
 B704-230 FAIRFAX COUNTY 6/0 WK SIDE RAILS

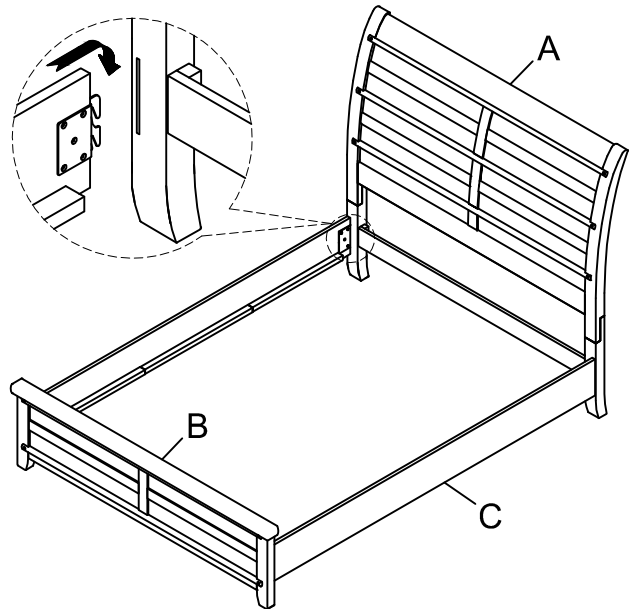
STEP 1



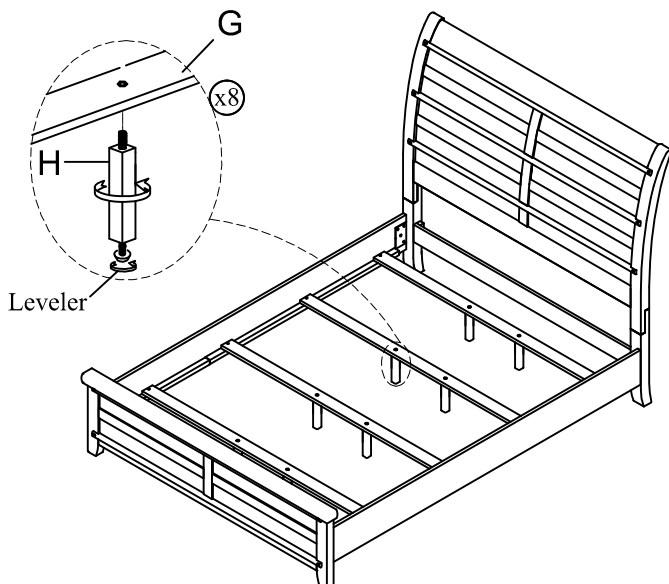
STEP 2



STEP 3



STEP 4



STEP 5

