

ASSEMBLY INSTRUCTIONS

B69-310 PARADOX 5/0 Q HEADBOARD






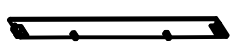





B69-320 PARADOX 5/0 Q PANEL FOOTBOARD

B69-330 PARADOX 5/0 Q PANEL RAILS & SLATS

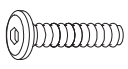





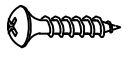
PARADOX QUEEN

Thank you for purchasing this quality product. Be sure to check all packing materials carefully for small parts, which may have come loose inside the carton during shipment. Identify and count all items and compare with the parts list and/or hardware list shown below.

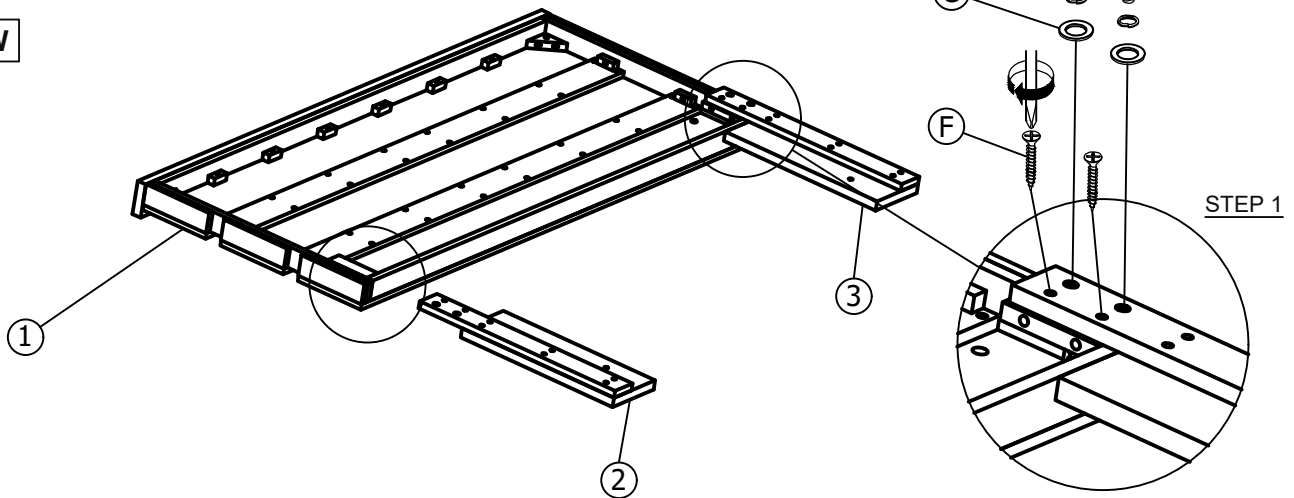
PARTS LIST

ITEM	DESCRIPTION	SKETCH	QTY
1	HEADBOARD		1PC
2	HEADBOARD LEG (RSF)		1PC
3	HEADBOARD LEG (LSF)		1PC
4	FOOTBOARD		1PC
5	TOP SIDE RAIL (L/R)		2PCS
6	LOWER INNER SIDE RAIL (L/R)		2PCS
7	BED SLAT WITH MARKING		2PCS
8	BED SLAT		3PCS
9	SLAT BOTTOM		2PCS
10	SLAT SUPPORT LEG W/ADJUSTABLE FFET		5PCS
11	CONCEALED PANEL		5PCS

HARDWARE LIST

ITEM	DESCRIPTION	SKETCH	QTY
A	JCBC SCREW - M6 x 1-9/16"		4PCS
B	SPRING WASHER - M6 x 1/2"		4PCS
C	FLAT WASHER - M6 x 1/2"		4PCS
D	M4 ALLEN KEY (60)		1PC
E	M5 ALLEN KEY (2 9/16")		1PC
F	CSK M4 x 32mm		18PCS
G	PAN HEAD SCREW - M3.5 x 20mm		25PCS

BACK VIEW



IMPORTANT NOTE :

- * Place all wooden parts on a clean and smooth surface such as a rug or carpet to avoid the parts from being scratched.
- * Check to be sure that you have all parts and hardware.
- * Remove all wrapping materials, including staples & packing straps before you start to assemble.
- * Do not tighten all screws/bolts until all completely assembled.
- * Keep all hardware parts out of reach of children.



New
Classic[®]
FURNITURE

ASSEMBLY INSTRUCTIONS

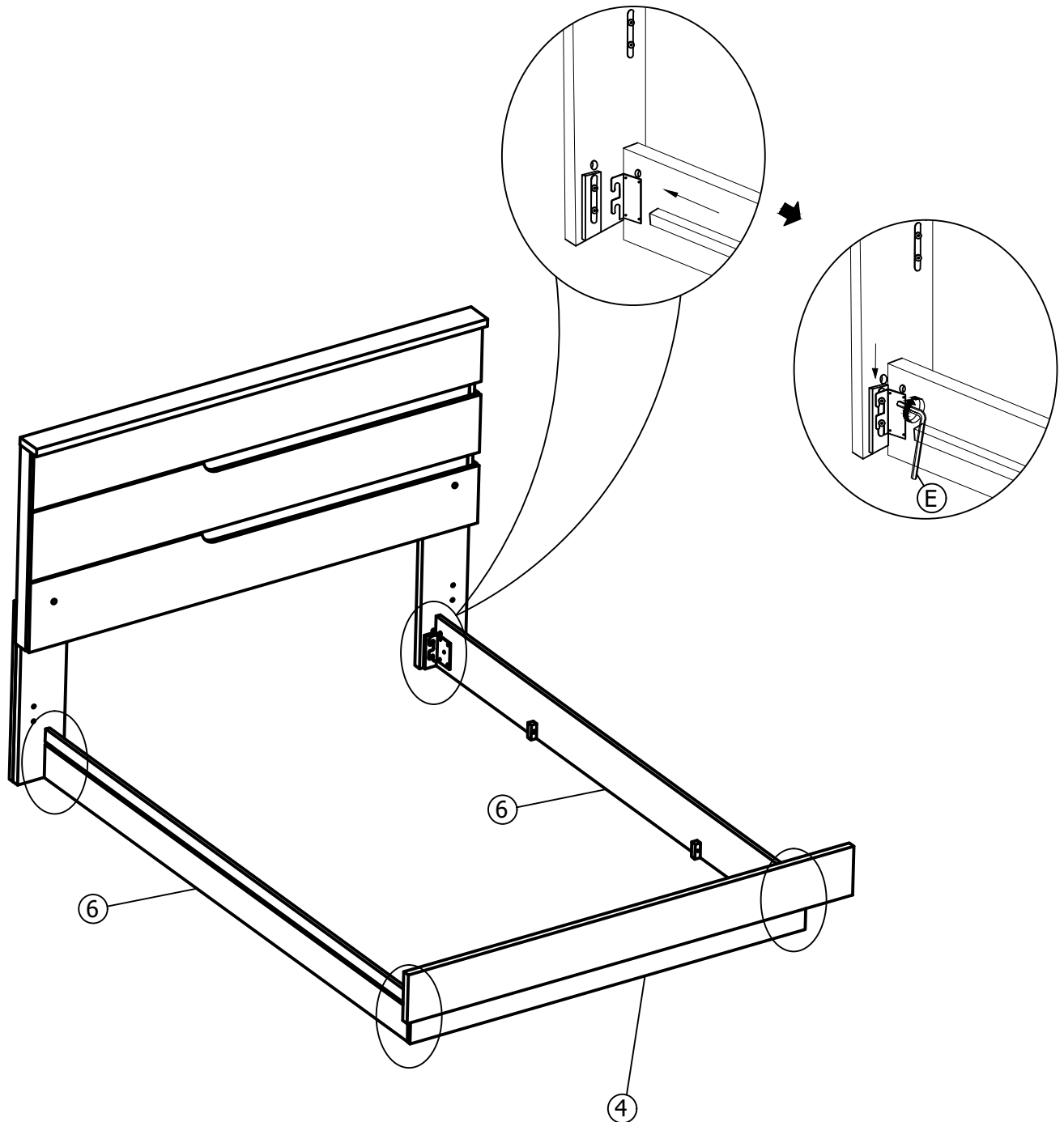
B69-310 PARADOX 5/0 Q HEADBOARD

B69-320 PARADOX 5/0 Q PANEL FOOTBOARD

B69-330 PARADOX 5/0 Q PANEL RAILS & SLATS

PARADOX QUEEN

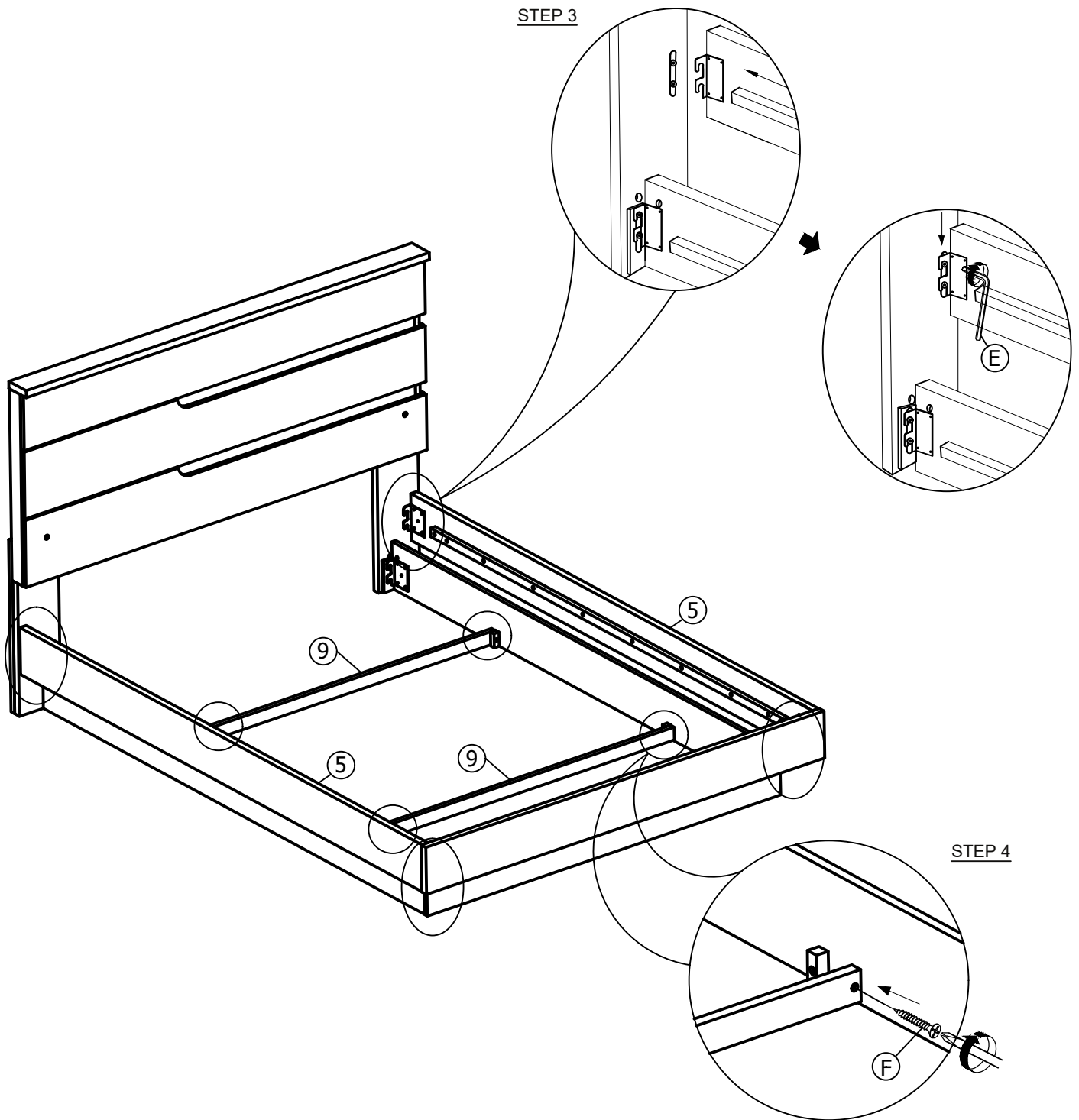
STEP 2



IMPORTANT NOTE :

- * Place all wooden parts on a clean and smooth surface such as a rug or carpet to avoid the parts from being scratched.
- * Check to be sure that you have all parts and hardware.
- * Remove all wrapping materials, including staples & packing straps before you start to assemble.
- * Do not tighten all screws/bolts until all completely assembled.
- * Keep all hardware parts out of reach of children.

ASSEMBLY INSTRUCTIONS
B69-310 PARADOX 5/0 Q HEADBOARD
B69-320 PARADOX 5/0 Q PANEL FOOTBOARD
B69-330 PARADOX 5/0 Q PANEL RAILS & SLATS
PARADOX QUEEN

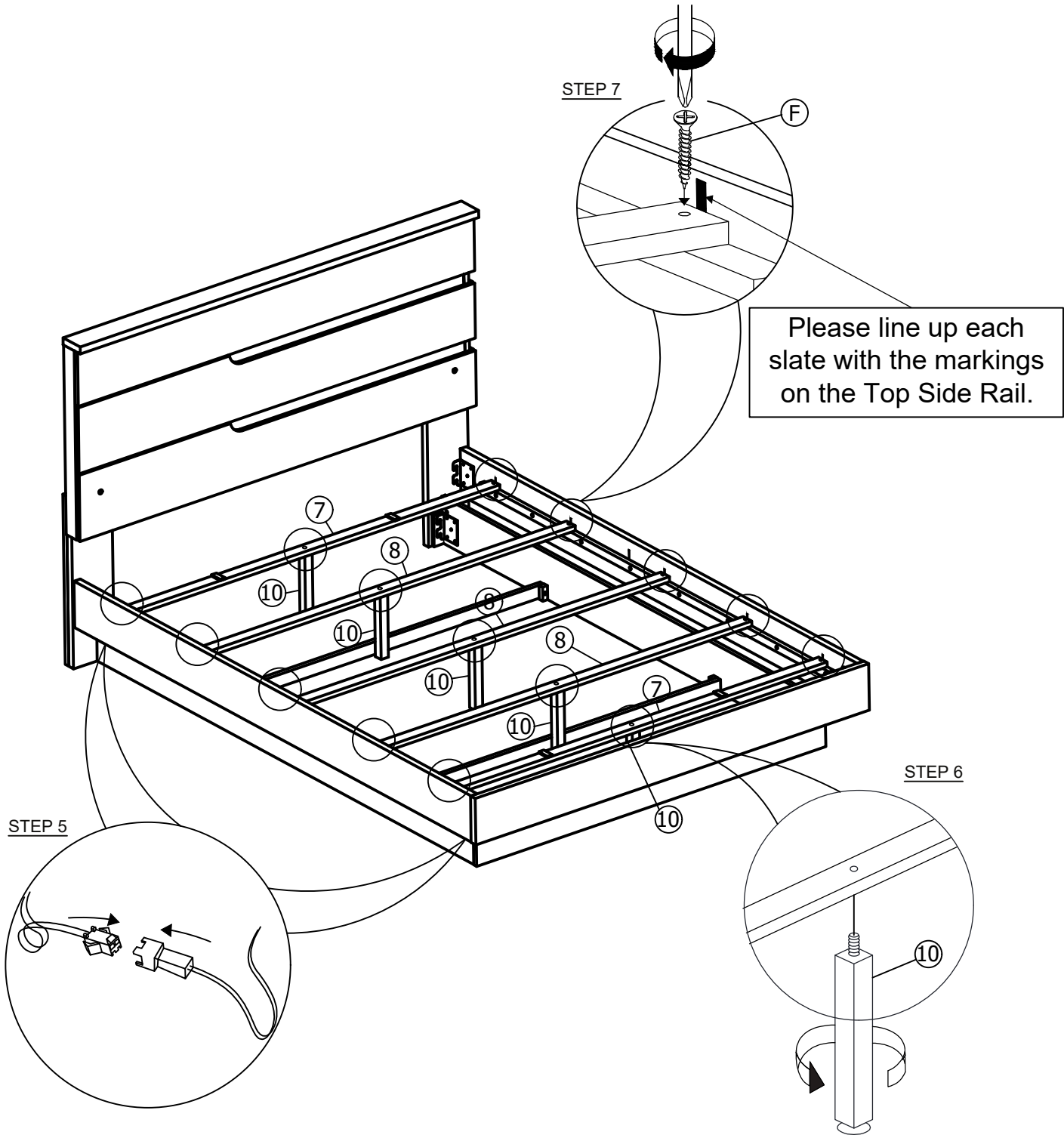


IMPORTANT NOTE :

- * Place all wooden parts on a clean and smooth surface such as a rug or carpet to avoid the parts from being scratched.
- * Check to be sure that you have all parts and hardware.
- * Remove all wrapping materials, including staples & packing straps before you start to assemble.
- * Do not tighten all screws/bolts until all completely assembled.
- * Keep all hardware parts out of reach of children.

ASSEMBLY INSTRUCTIONS

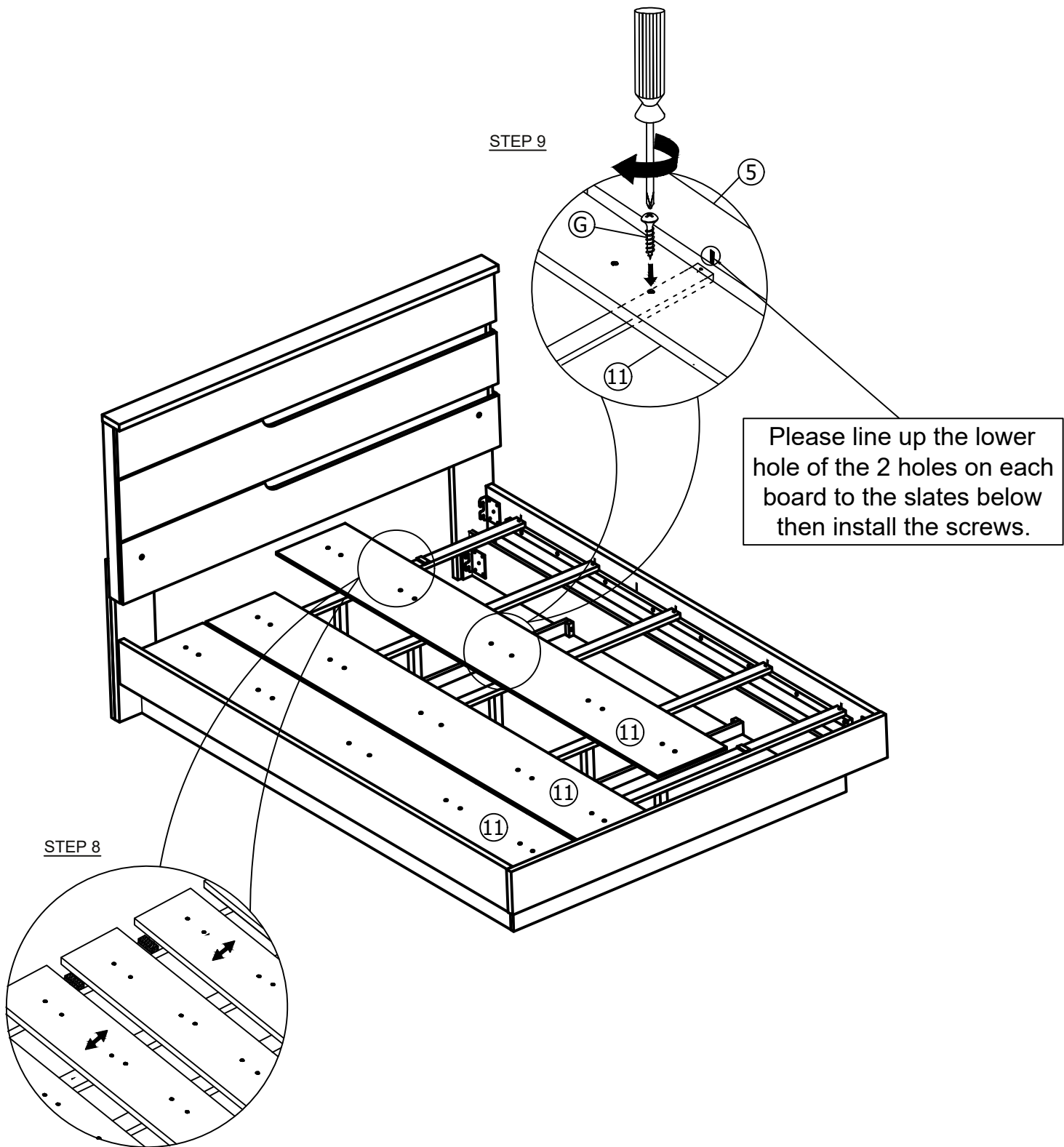
B69-310 PARADOX 5/0 Q HEADBOARD
 B69-320 PARADOX 5/0 Q PANEL FOOTBOARD
 B69-330 PARADOX 5/0 Q PANEL RAILS & SLATS
 PARADOX QUEEN



IMPORTANT NOTE :

- * Place all wooden parts on a clean and smooth surface such as a rug or carpet to avoid the parts from being scratched.
- * Check to be sure that you have all parts and hardware.
- * Remove all wrapping materials, including staples & packing straps before you start to assemble.
- * Do not tighten all screws/bolts until all completely assembled.
- * Keep all hardware parts out of reach of children.

ASSEMBLY INSTRUCTIONS
B69-310 PARADOX 5/0 Q HEADBOARD
B69-320 PARADOX 5/0 Q PANEL FOOTBOARD
B69-330 PARADOX 5/0 Q PANEL RAILS & SLATS
PARADOX QUEEN



IMPORTANT NOTE :

- * Place all wooden parts on a clean and smooth surface such as a rug or carpet to avoid the parts from being scratched.
- * Check to be sure that you have all parts and hardware.
- * Remove all wrapping materials, including staples & packing straps before you start to assemble.
- * Do not tighten all screws/bolts until all completely assembled.
- * Keep all hardware parts out of reach of children.