




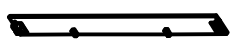



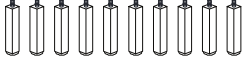

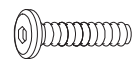





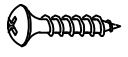


# ASSEMBLY INSTRUCTIONS

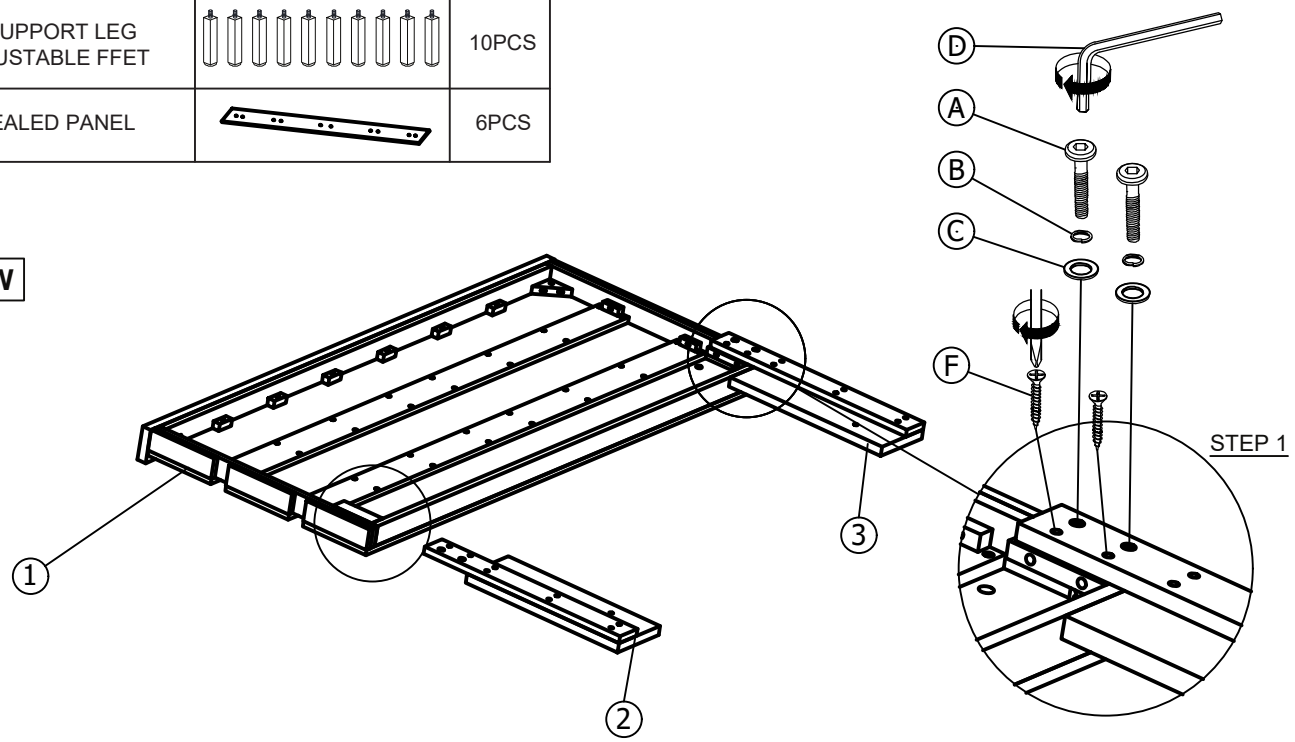
## B69-110 PARADOX 6/6-6/0 EK/WK HEADBOARD B69-120 PARADOX 6/6-6/0 EK/WK PANEL FOOTBOARD B69-130 PARADOX 6/6 EK PANEL RAILS & SLATS PARADOX EASTERN KING

Thank you for purchasing this quality product. Be sure to check all packing materials carefully for small parts, which may have come loose inside the carton during shipment. Identify and count all items and compare with the parts list and/or hardware list shown below.

PARTS LIST			
ITEM	DESCRIPTION	SKETCH	QTY
1	HEADBOARD		1PC
2	HEADBOARD LEG (RSF)		1PC
3	HEADBOARD LEG (LSF)		1PC
4	FOOTBOARD		1PC
5	TOP SIDE RAIL (L/R)		2PCS
6	LOWER INNER SIDE RAIL (L/R)		2PCS
7	BED SLAT WITH MARKING		2PCS
8	BED SLAT		3PCS
9	SLAT BOTTOM		2PCS
10	SLAT SUPPORT LEG W/ADJUSTABLE FFET		10PCS
11	CONCEALED PANEL		6PCS

HARDWARE LIST			
ITEM	DESCRIPTION	SKETCH	QTY
A	JCBC SCREW - M6 x 1-9/16"		4PCS
B	SPRING WASHER - M6 x 1/2"		4PCS
C	FLAT WASHER - M6 x 1/2"		4PCS
D	M4 ALLEN KEY (60)		1PC
E	M5 ALLEN KEY (2 9/16")		1PC
F	CSK M4 x 32mm		18PCS
G	PAN HEAD SCREW - M3.5 x 20mm		30PCS

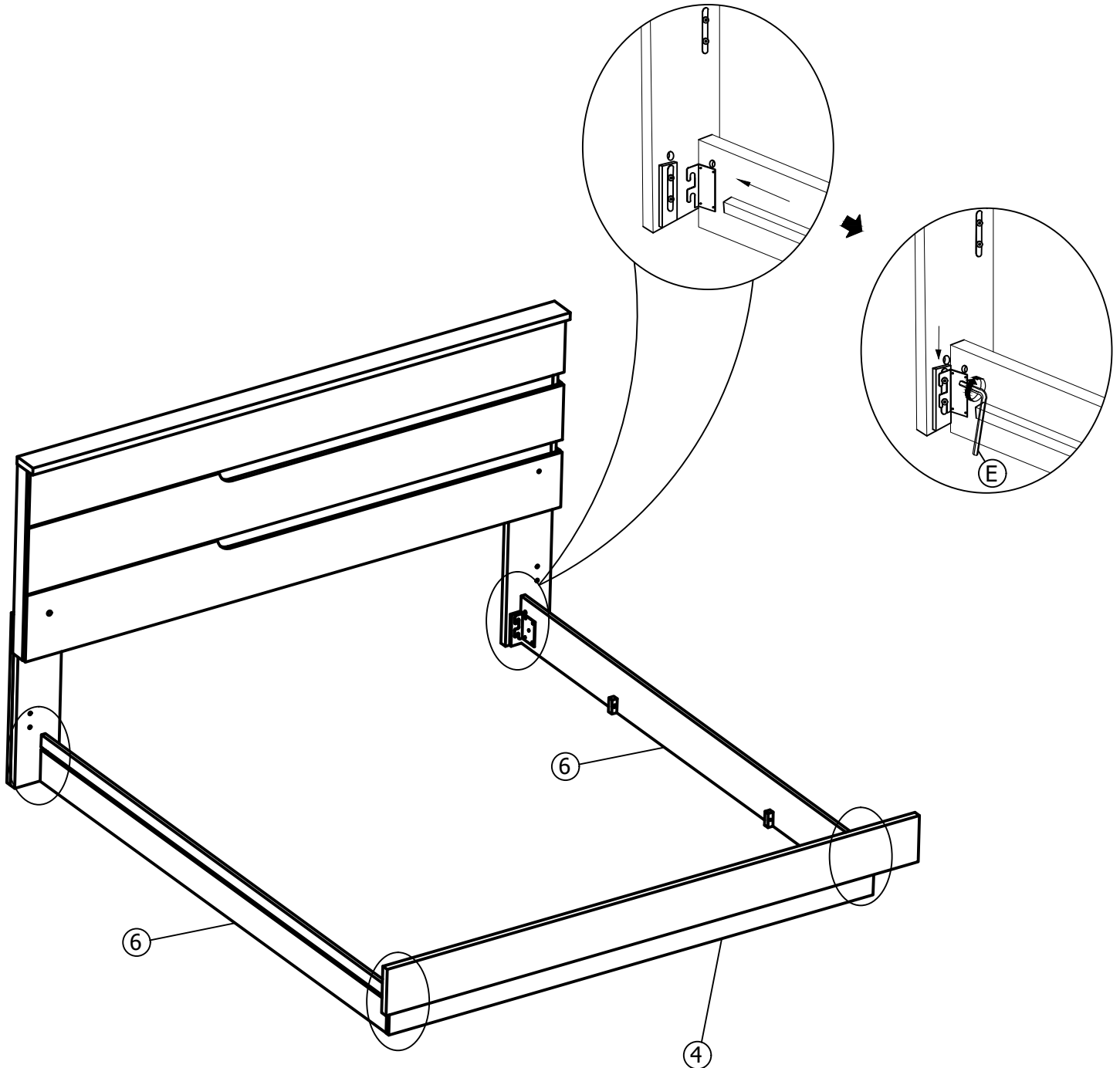
**BACK VIEW**



**IMPORTANT NOTE :**

- \* Place all wooden parts on a clean and smooth surface such as a rug or carpet to avoid the parts from being scratched.
- \* Check to be sure that you have all parts and hardware.
- \* Remove all wrapping materials, including staples & packing straps before you start to assemble.
- \* Do not tighten all screws/bolts until all completely assembled.
- \* Keep all hardware parts out of reach of children.

STEP 2



**IMPORTANT NOTE :**

- \* Place all wooden parts on a clean and smooth surface such as a rug or carpet to avoid the parts from being scratched.
- \* Check to be sure that you have all parts and hardware.
- \* Remove all wrapping materials, including staples & packing straps before you start to assemble.
- \* Do not tighten all screws/bolts until all completely assembled.
- \* Keep all hardware parts out of reach of children.

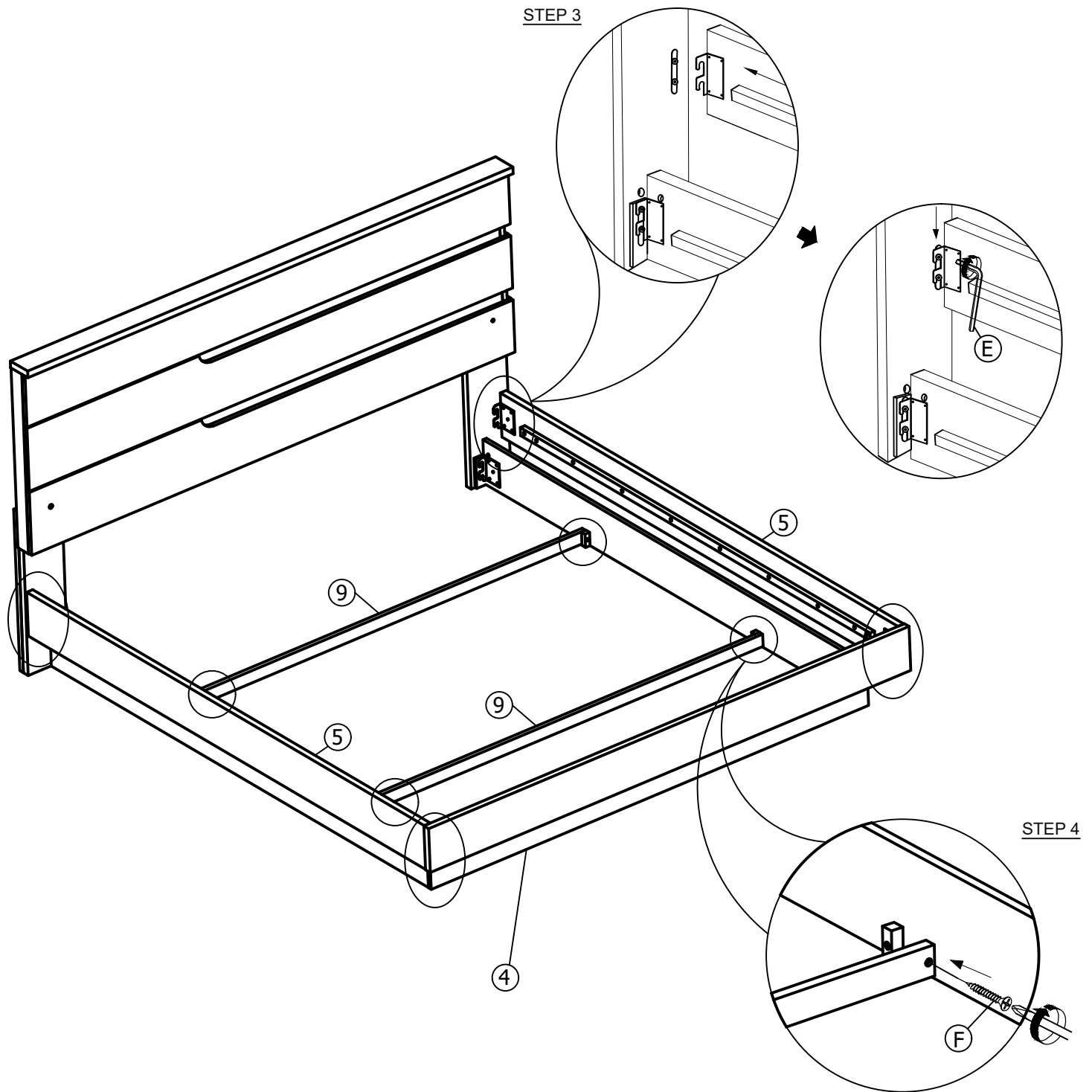
# ASSEMBLY INSTRUCTIONS

B69-110 PARADOX 6/6-6/0 EK/WK HEADBOARD

B69-120 PARADOX 6/6-6/0 EK/WK PANEL FOOTBOARD

B69-130 PARADOX 6/6 EK PANEL RAILS & SLATS

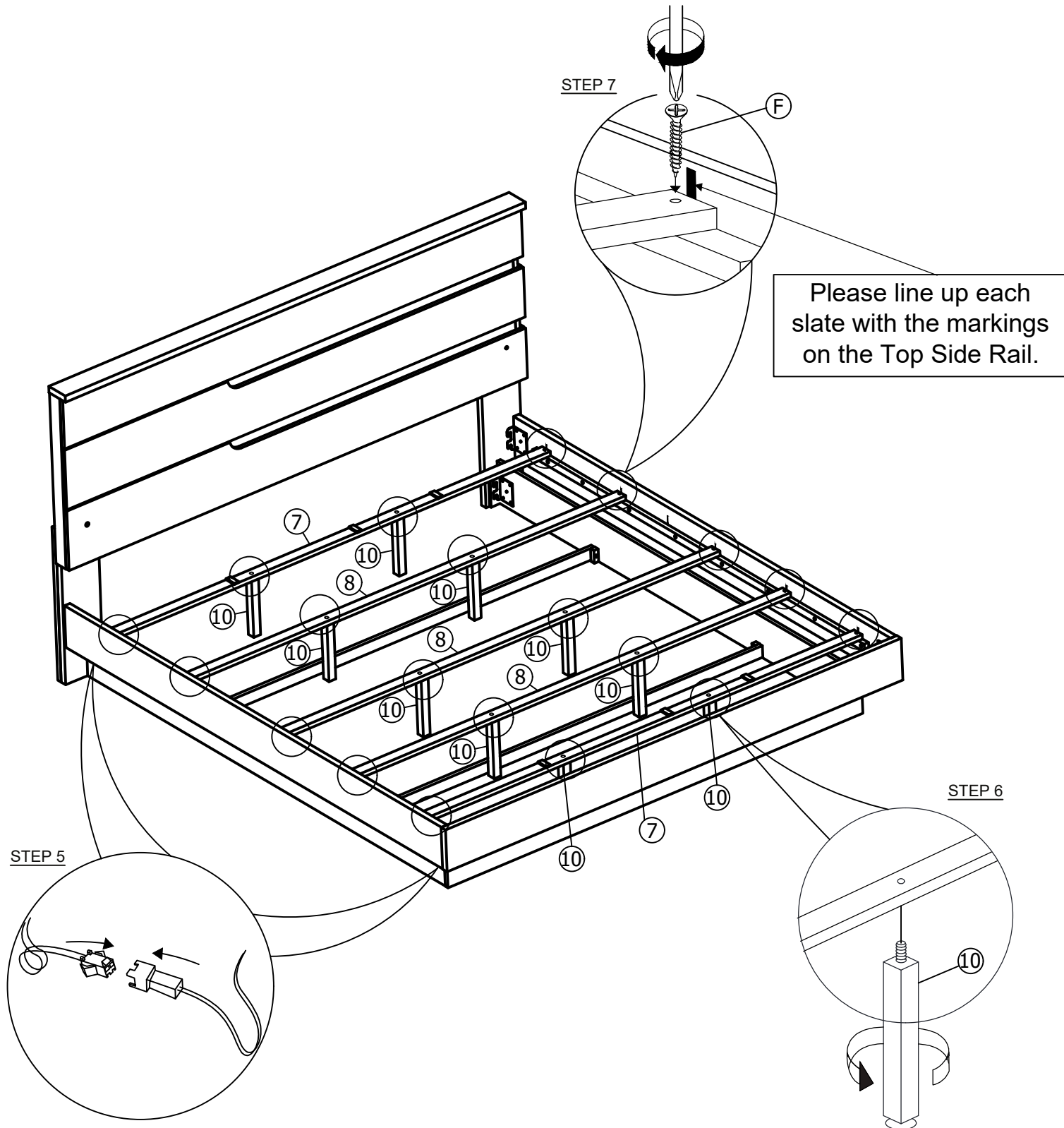
## PARADOX EASTERN KING



### IMPORTANT NOTE :

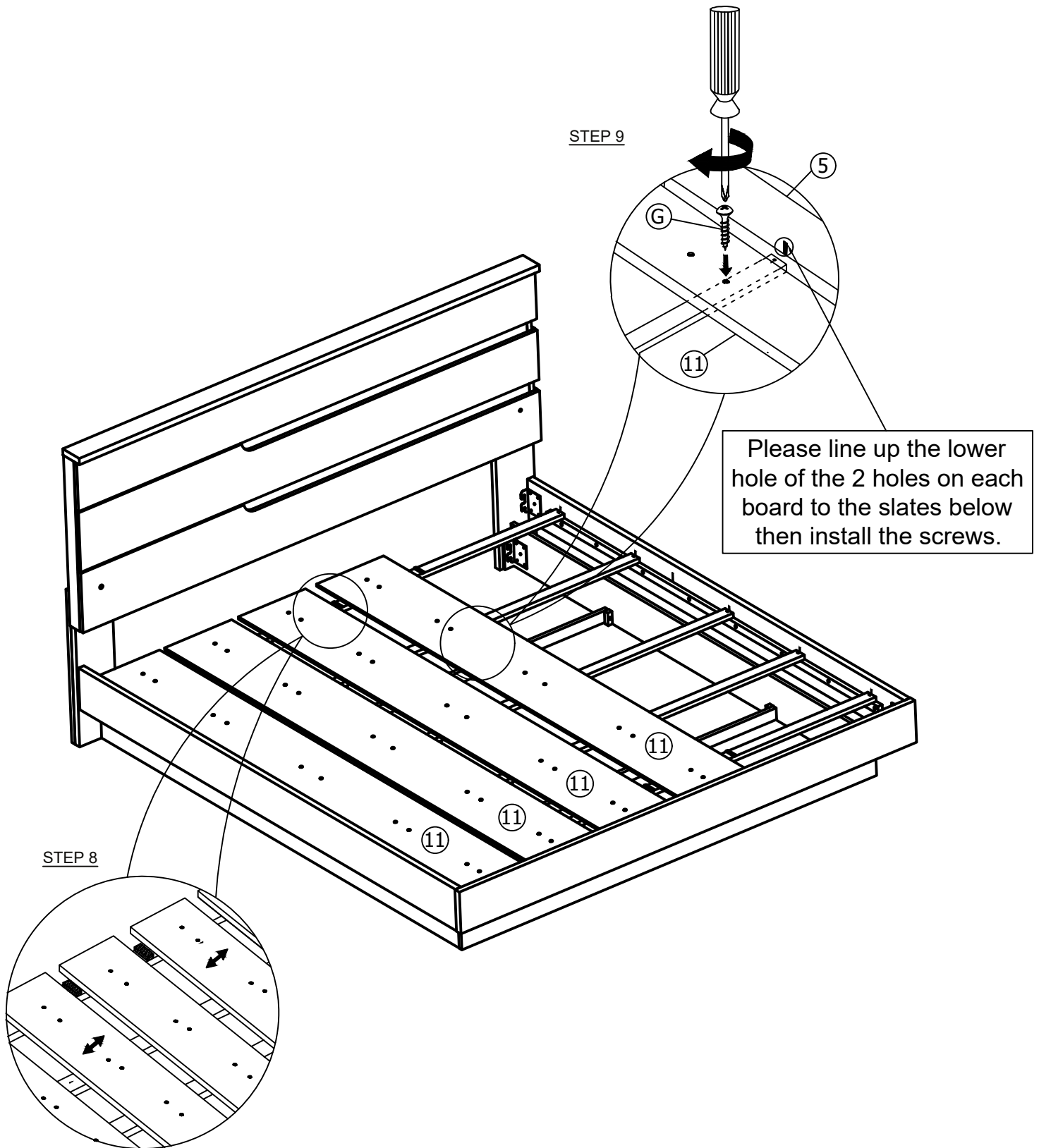
- \* Place all wooden parts on a clean and smooth surface such as a rug or carpet to avoid the parts from being scratched.
- \* Check to be sure that you have all parts and hardware.
- \* Remove all wrapping materials, including staples & packing straps before you start to assemble.
- \* Do not tighten all screws/bolts until all completely assembled.
- \* Keep all hardware parts out of reach of children.

**ASSEMBLY INSTRUCTIONS**  
**B69-110 PARADOX 6/6-6/0 EK/WK HEADBOARD**  
**B69-120 PARADOX 6/6-6/0 EK/WK PANEL FOOTBOARD**  
**B69-130 PARADOX 6/6 EK PANEL RAILS & SLATS**  
**PARADOX EASTERN KING**



**IMPORTANT NOTE :**

- \* Place all wooden parts on a clean and smooth surface such as a rug or carpet to avoid the parts from being scratched.
- \* Check to be sure that you have all parts and hardware.
- \* Remove all wrapping materials, including staples & packing straps before you start to assemble.
- \* Do not tighten all screws/bolts until all completely assembled.
- \* Keep all hardware parts out of reach of children.



**IMPORTANT NOTE :**

- \* Place all wooden parts on a clean and smooth surface such as a rug or carpet to avoid the parts from being scratched.
- \* Check to be sure that you have all parts and hardware.
- \* Remove all wrapping materials, including staples & packing straps before you start to assemble.
- \* Do not tighten all screws/bolts until all completely assembled.
- \* Keep all hardware parts out of reach of children.