

ASSEMBLY INSTRUCTIONS

B677W-515 ANDOVER 3/3 T HEADBOARD, FOOTBOARD & SLATS- WHITE
 B677W-535 ANDOVER 3/3-4/6 T/F SIDE RAILS-WHITE



B677B-515 ANDOVER 3/3 T HEADBOARD, FOOTBOARD & SLATS- NUTMEG
 B677B-535 ANDOVER 3/3-4/6 T/F SIDE RAILS-NUTMEG

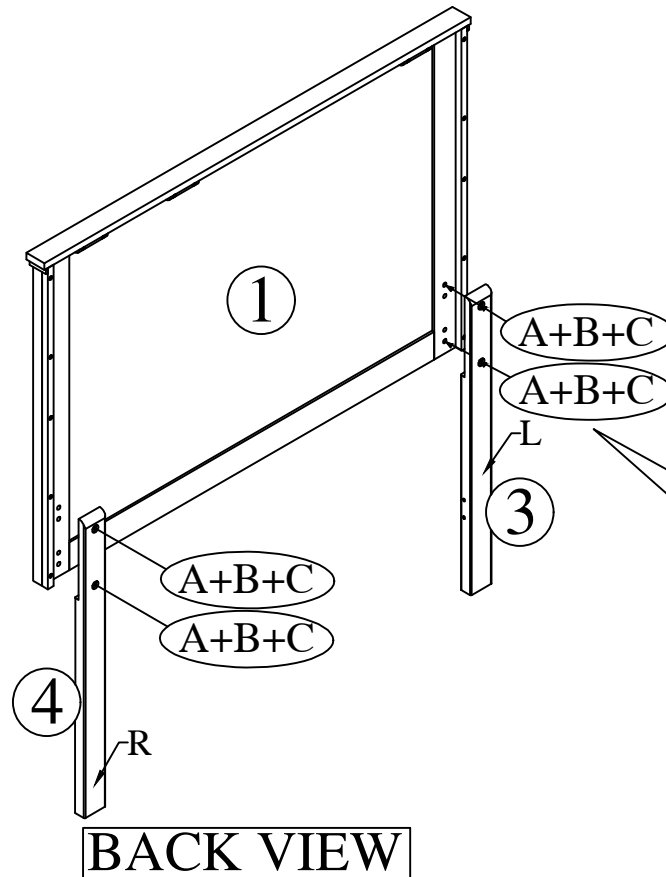
Thank you for purchasing this quality product. Be sure to check all packing materials carefully for small parts, which may have come loose inside the carton during shipment. Identify and count all items and compare with the parts list and/or hardware list shown below.

STEP 1

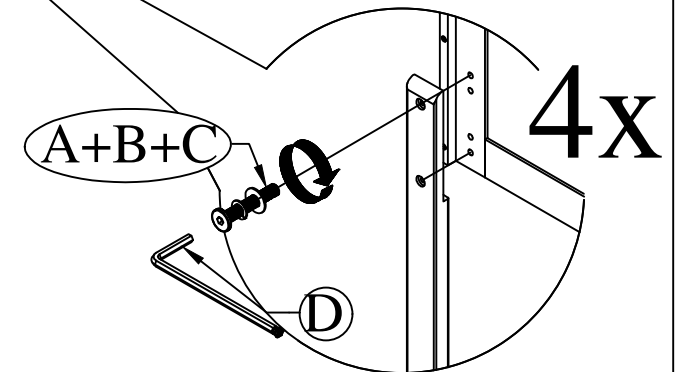
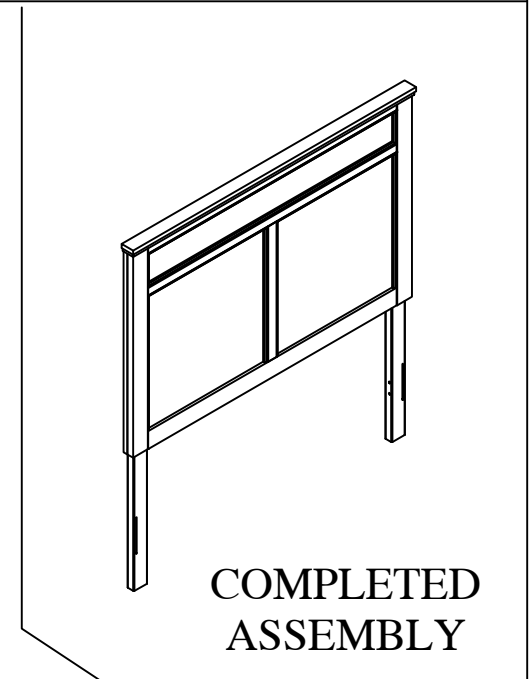
PARTS LIST			
ITEM	DRAWING	DESCRIPTION	QTY
1		HEAD BOARD	1 PC
2		FOOT BOARD	1 PC
3		HB LEG POST (L)	1 PC
4		HB LEG POST (R)	1 PC
5		SIDE RAILS	2 PCS
6		SLATS SUPPORT	4 PCS
7		WOODEN SLAT	4 PCS

HARDWARE LIST			
ITEM	DRAWING	DESCRIPTION	QTY
A		JCBB (M8) 8 x 35MM (NYLOK)	4 PCS
B		Spring Washer M8 x22mm	4 PCS
C		Flat Washer M8 x 16 x 1.6mm	4 PCS
D		ALLEN KEY M5 5 x 35 x120MM	1 PC
E		C.S.K SCREW (M4) 4 x32mm	8 PCS

Screw Driver is not included

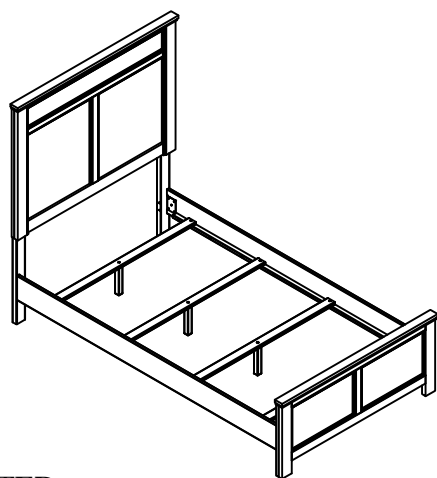
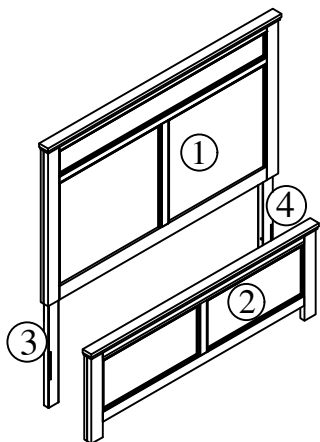


BACK VIEW



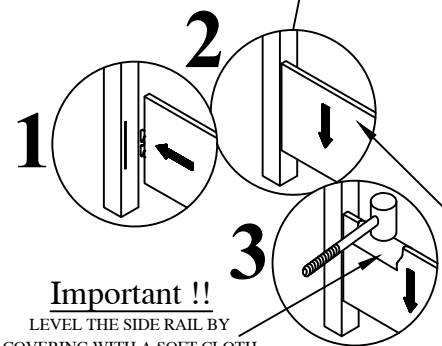
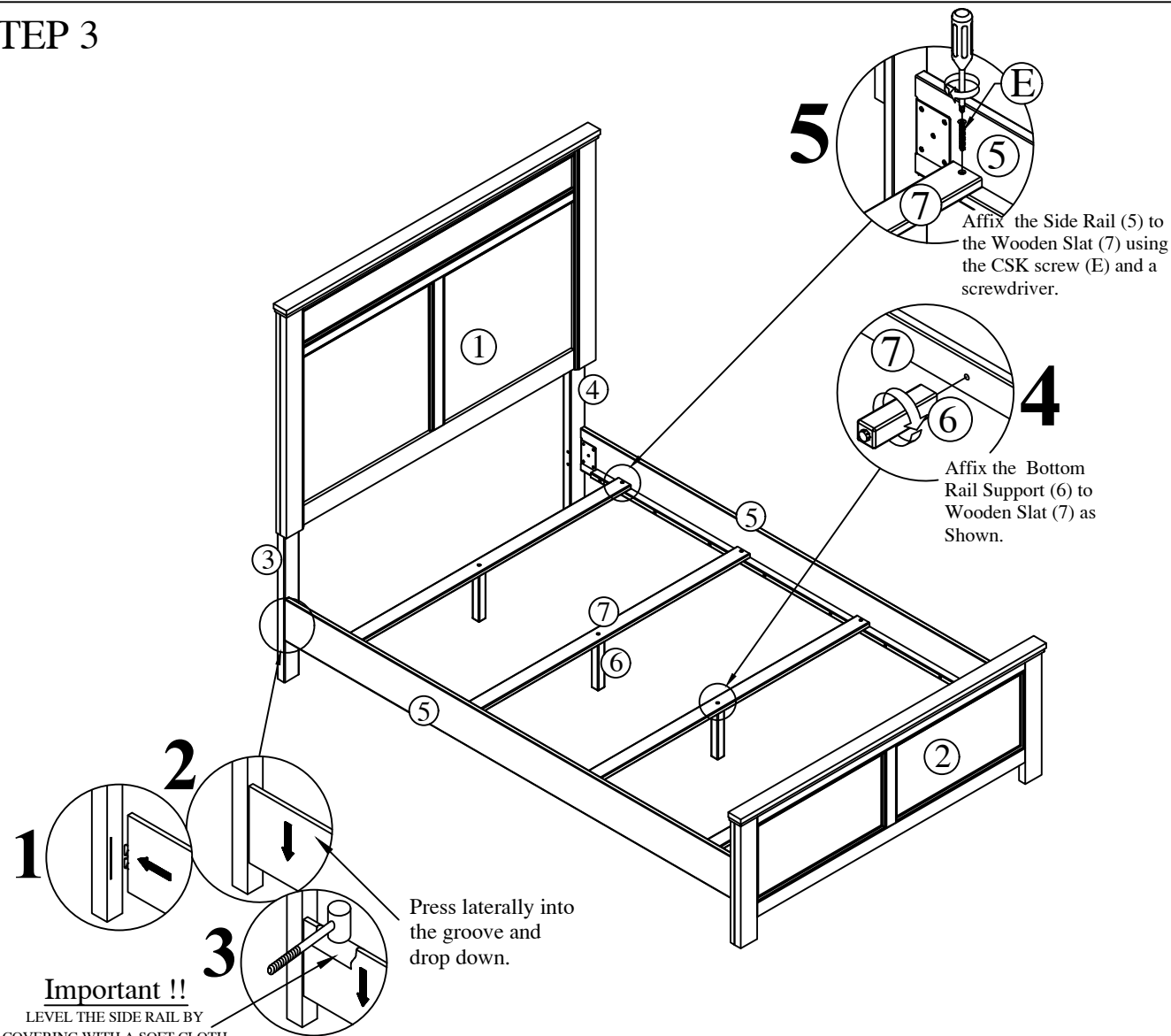
Step 1: Attach and tighten the leg posts (3 & 4) to the head board (1) by inserting JCBB bolt (A) with washers (B & C).

STEP 2



COMPLETED ASSEMBLY

STEP 3



Important !!
 LEVEL THE SIDE RAIL BY COVERING WITH A SOFT CLOTH AND TAPPING WITH A HAMMER.

Press laterally into the groove and drop down.

Affix the Side Rail (5) to the Wooden Slat (7) using the CSK screw (E) and a screwdriver.

Affix the Bottom Rail Support (6) to Wooden Slat (7) as Shown.