

ASSEMBLY INSTRUCTIONS

B677W-315 ANDOVER 5/0 Q HEADBOARD, FOOTBOARD & SLATS-WHITE
 B677W-335 ANDOVER 5/0-6 /6 Q/EK SIDE RAILS-WHITE
 B677W-415 ANDOVER 4/6 F HEADBOARD, FOOTBOARD & SLATS-WHITE
 B677W-535 ANDOVER 3/3-4 /6 T/F SIDE RAILS-WHITE

&

B677B-315 ANDOVER 5/0 Q HEADBOARD, FOOTBOARD & SLATS-NUTMEG
 B677B-335 ANDOVER 5/0-6 /6 Q/EK SIDE RAILS-NUTMEG
 B677B-415 ANDOVER 4/6 F HEADBOARD, FOOTBOARD & SLATS-NUTMEG
 B677B-535 ANDOVER 3/3-4 /6 T/F SIDE RAILS-NUTMEG

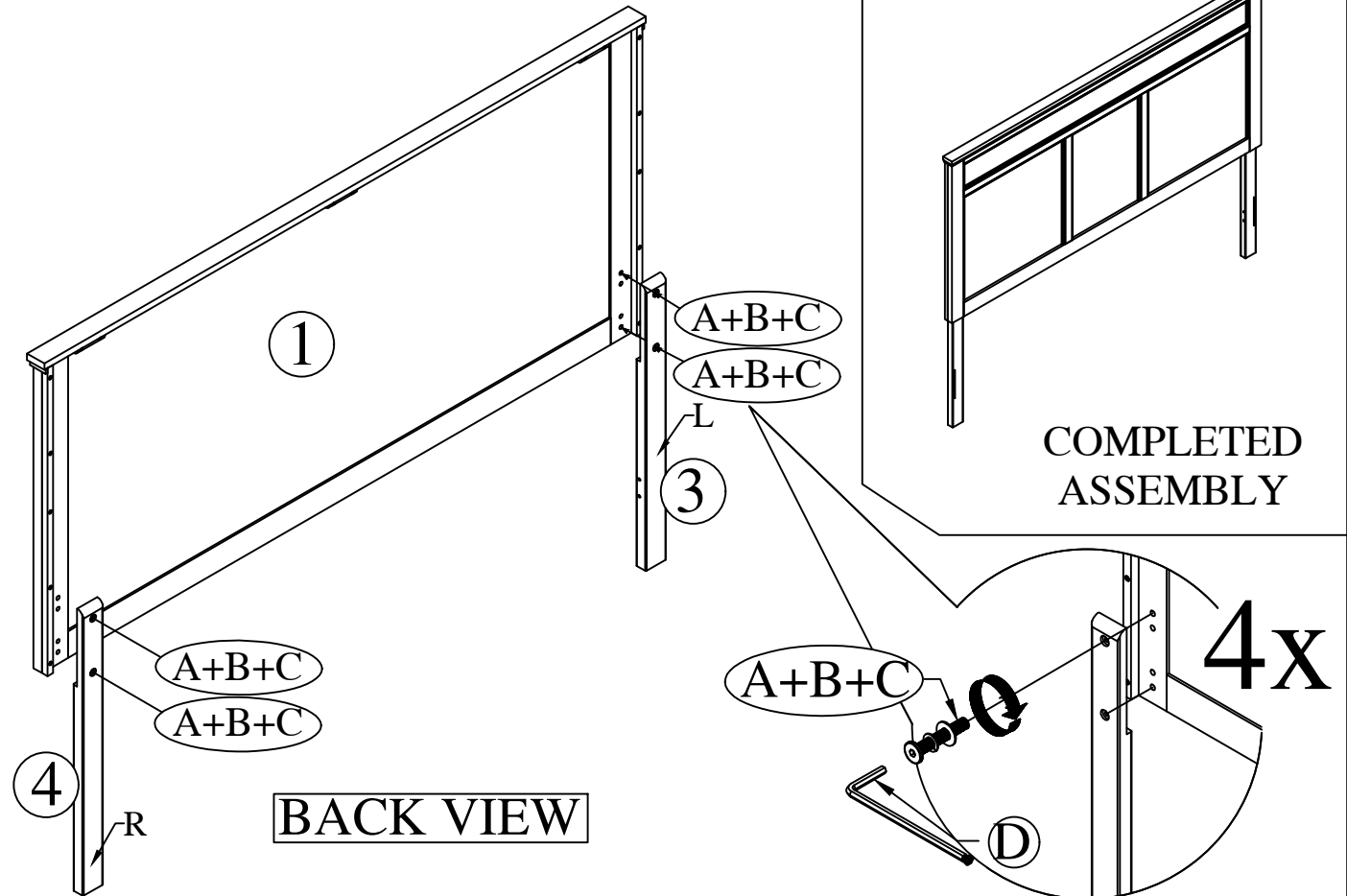
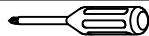
Thank you for purchasing this quality product. Be sure to check all packing materials carefully for small parts, which may have come loose inside the carton during shipment. Identify and count all items and compare with the parts list and/or hardware list shown below.

STEP 1

PARTS LIST			
ITEM	DRAWING	DESCRIPTION	QTY
1		HEAD BOARD	1 PC
2		FOOT BOARD	1 PC
3		HB LEG POST (L)	1 PC
4		HB LEG POST (R)	1 PC
5		SIDE RAILS	2 PCS
6		SLATS SUPPORT	4 PCS
7		WOODEN SLAT	4 PCS

HARDWARE LIST			
ITEM	DRAWING	DESCRIPTION	QTY
A		JCBB (M8) 8 x 35MM (NYLOK)	4 PCS
B		Spring Washer M8 x22mm	4 PCS
C		Flat Washer M8 x 16 x 1.6mm	4 PCS
D		ALLEN KEY M5 5 x 35 x120MM	1 PC
E		C.S.K SCREW (M4) 4 x32mm	8 PCS

Screw Driver is not included



BACK VIEW

Step 1: Attach and tighten the leg posts (3 & 4) to the head board (1) by inserting JCBB bolt (A) with washers (B & C).

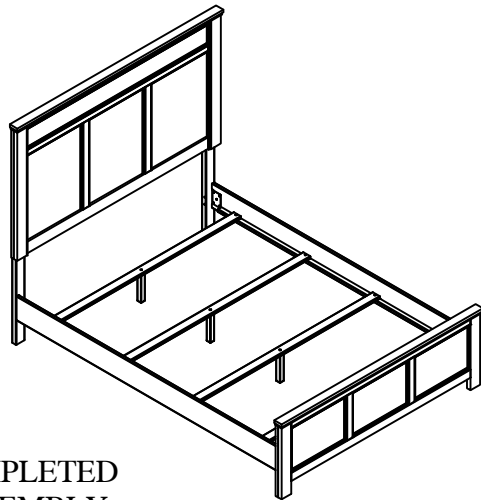
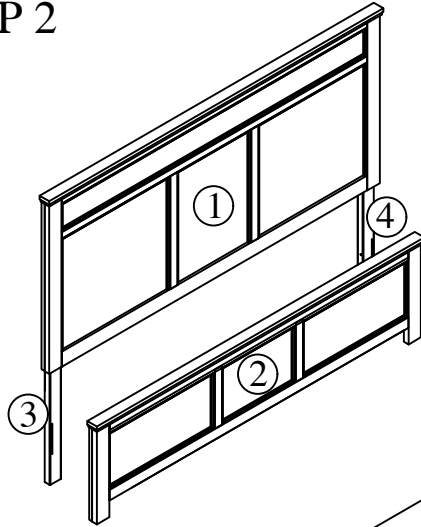
ASSEMBLY INSTRUCTIONS

B677W-315 ANDOVER 5/0 Q HEADBOARD, FOOTBOARD & SLATS-WHITE
 B677W-335 ANDOVER 5/0-6/6 Q/EK SIDE RAILS-WHITE
 B677W-415 ANDOVER 4/6 F HEADBOARD, FOOTBOARD & SLATS-WHITE
 B677W-535 ANDOVER 3/3-4/6 T/F SIDE RAILS-WHITE

&

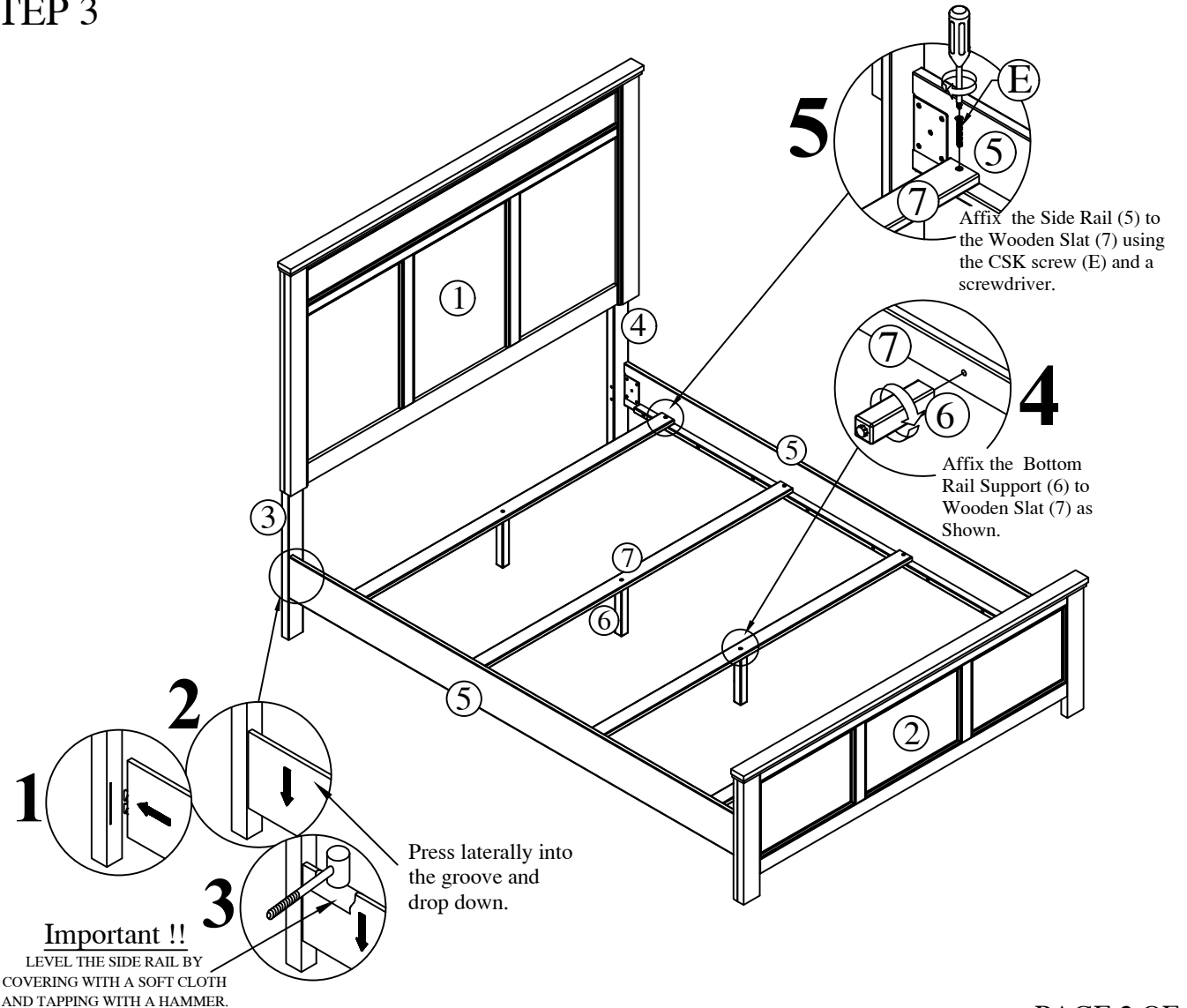
B677B-315 ANDOVER 5/0 Q HEADBOARD, FOOTBOARD & SLATS-NUTMEG
 B677B-335 ANDOVER 5/0-6/6 Q/EK SIDE RAILS-NUTMEG
 B677B-415 ANDOVER 4/6 F HEADBOARD, FOOTBOARD & SLATS-NUTMEG
 B677B-535 ANDOVER 3/3-4/6 T/F SIDE RAILS-NUTMEG

STEP 2



COMPLETED ASSEMBLY

STEP 3



NOTE: MUST TIGHTEN SCREW PERIODICALLY. WITH USE SCREWS WILL BECOME LOOSE CHECK TIGHT OF ALL SREWS EVERY 6-8 WEEKS.