



# ASSEMBLY INSTRUCTIONS

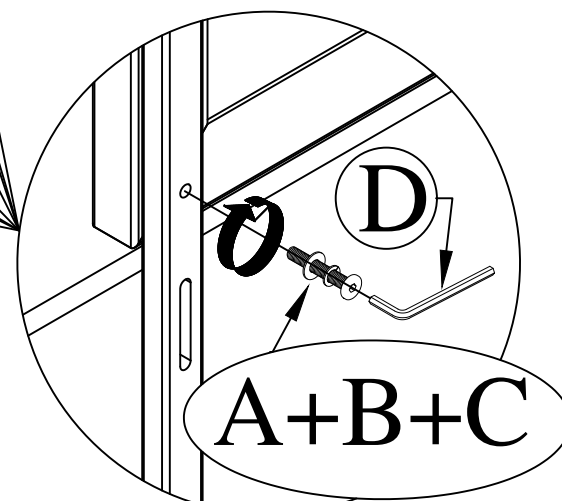
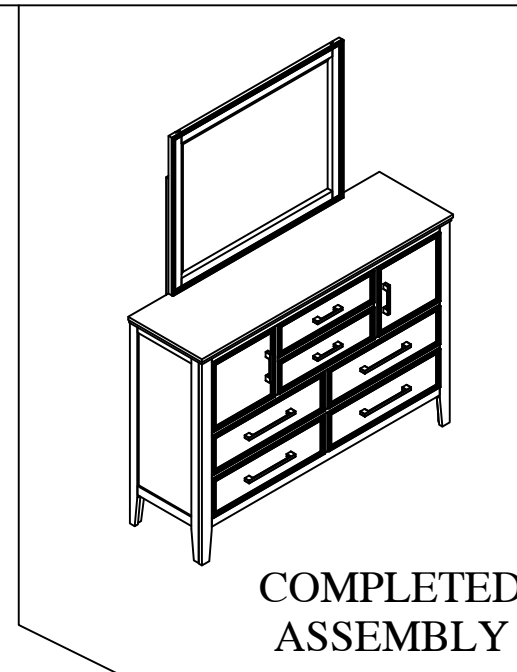
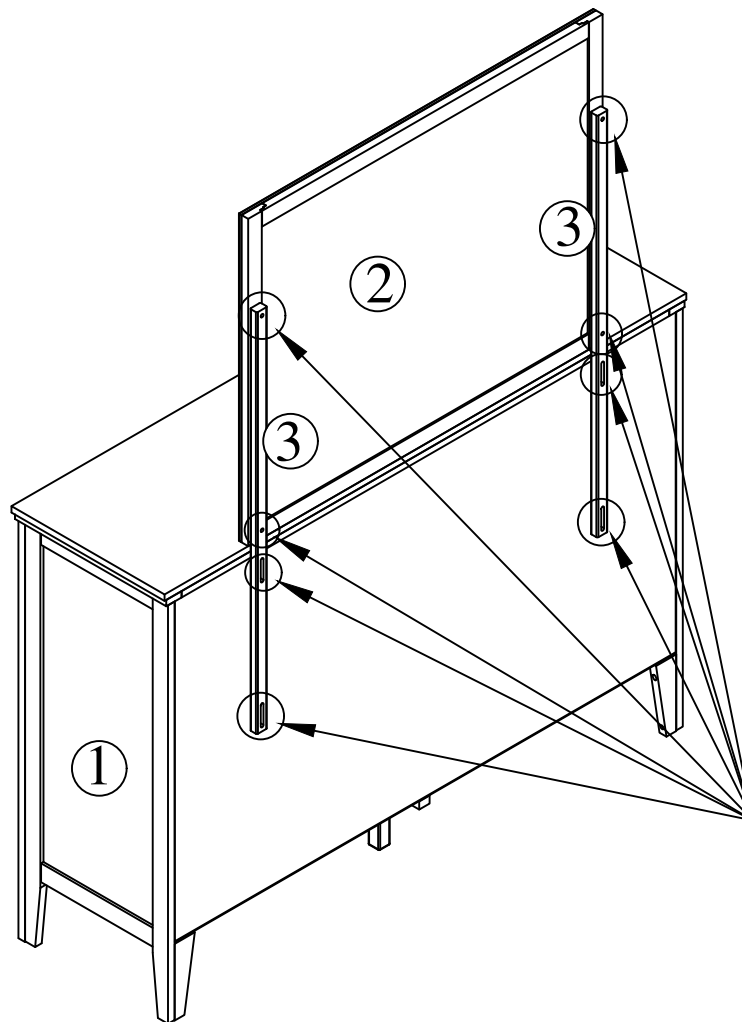
B677W-050 ANDOVER DRESSER- WHITE & B677B-050 ANDOVER DRESSER- NUTMEG  
 B677W-060 ANDOVER MIRROR- WHITE & B677B-060 ANDOVER MIRROR- NUTMEG

Thank you for purchasing this quality product. Be sure to check all packing materials carefully for small parts, which may have come loose inside the carton during shipment. Identify and count all items and compare with the parts list and/or hardware list shown below.

## STEP 1

PARTS LIST			
ITEM	DRAWING	DESCRIPTION	QTY
1		DRESSER	1 PC
2		MIRROR	1 PC
3		MIRROR SUPPORT	2 PCS

HARDWARE LIST			
ITEM	DRAWING	DESCRIPTION	QTY
A		JCBB (M6) 6 x 35MM (NYLOK)	8 PCS
B		Spring Washer M6 x 12mm	8 PCS
C		Flat Washer M6 x 12mm	8 PCS
D		ALLEN KEY M4 4 x 35 x 65MM	1 PC



Step 1 :Attach and tighten the Mirror Support (3) to the Dresser (1) and Mirror frame (2) at back, insert JCBC (M6) With Washer (A+B+C) as shown.

NOTE:MUST TIGHTEN SCREW PERIODICALLY.WITH USE SCREWS WILL BECOME LOOSE CHECK THIGHT OF ALL SREWS EVERY 6-8 WEEKS.

**CLEANING INSTRUCTION**

After assembled,clean & polish the complete parts if necessary with soft cloth ang industrial recognized furniture polish.

MADE IN MALAYSIA