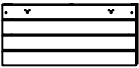
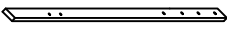
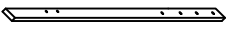
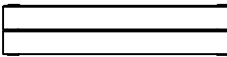
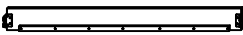


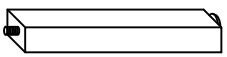

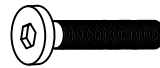









ASSEMBLY INSTRUCTIONS

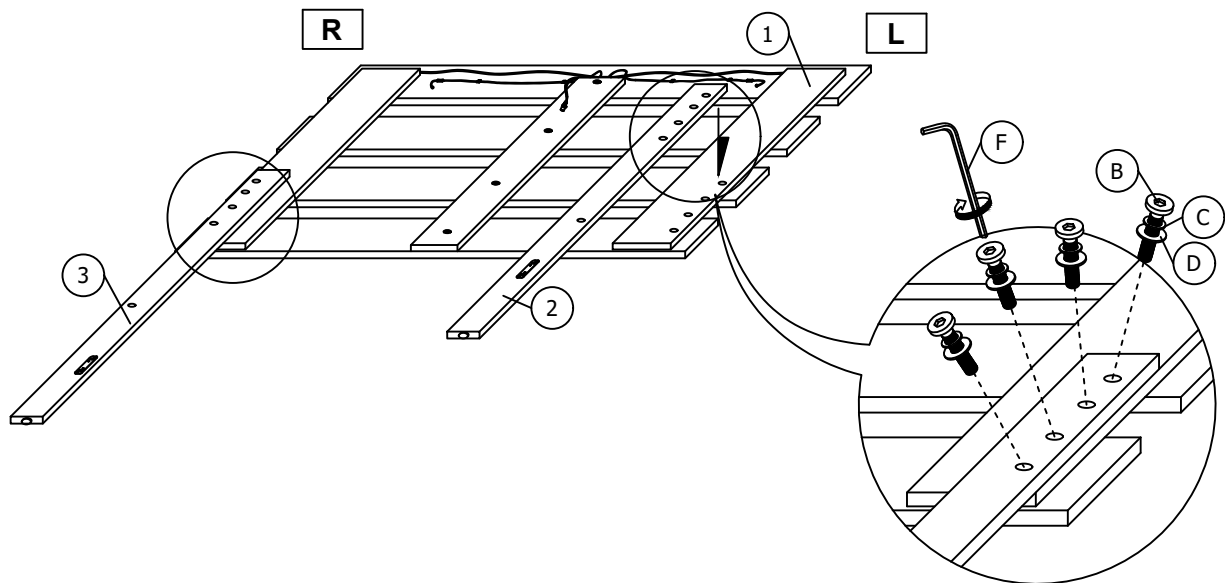
B6303-115 MISTY LODGE 6/6 EK HB,FB, & SLATS
B6303-215 MISTY LODGE 6/0 WK HB,FB, & SLATS
B6303-235 MISTY LODGE 6/0 WK SIDE RAILS
B6303-335 MISTY LODGE 6/6-5/0 EK/Q SIDE RAILS

Thank you for purchasing this quality product. Be sure to check all packing materials carefully for small parts, which may have come loose inside the carton during shipment. Identify and count all items and compare with the parts list and/or hardware list shown below.

PART LIST			
ITEM	SKETCH	SKETCH	QTY
1	HEADBOARD		1 PC
2	HEADBOARD LSF LEG (L)		1 PC
3	HEADBOARD RSF LEG (R)		1 PC
4	FOOTBOARD		1 PC
5	SIDE RAIL		2 PCS
6	SLAT		4 PCS
7	HEADBOARD LEG SUPPORT WOOD		1 PC
8	CENTRE SUPPORT LEG		8 PCS

HARDWARE LIST				
ITEM	DESCRIPTION	SKETCH	SIZE	QTY
A	JCBB SCREW		M8 x 5/8"	8 PCS
B	JCBB SCREW		M8 x 1 4/8"	10 PCS
C	SPRING WASHER		M8 x 6/8"	10 PCS
D	FLAT WASHER		M8 x 7/8"	10 PCS
E	CSK C/B SCREW		M4 x 1 2/8"	8 PCS
F	L - KEY		M5	1 PC
G	HEADBOARD LAMP		-	2 PCS
H	PLUG WITH CONNECTOR WIRE		-	1 PC
I	SPANNER		-	1 PC

STEP 1



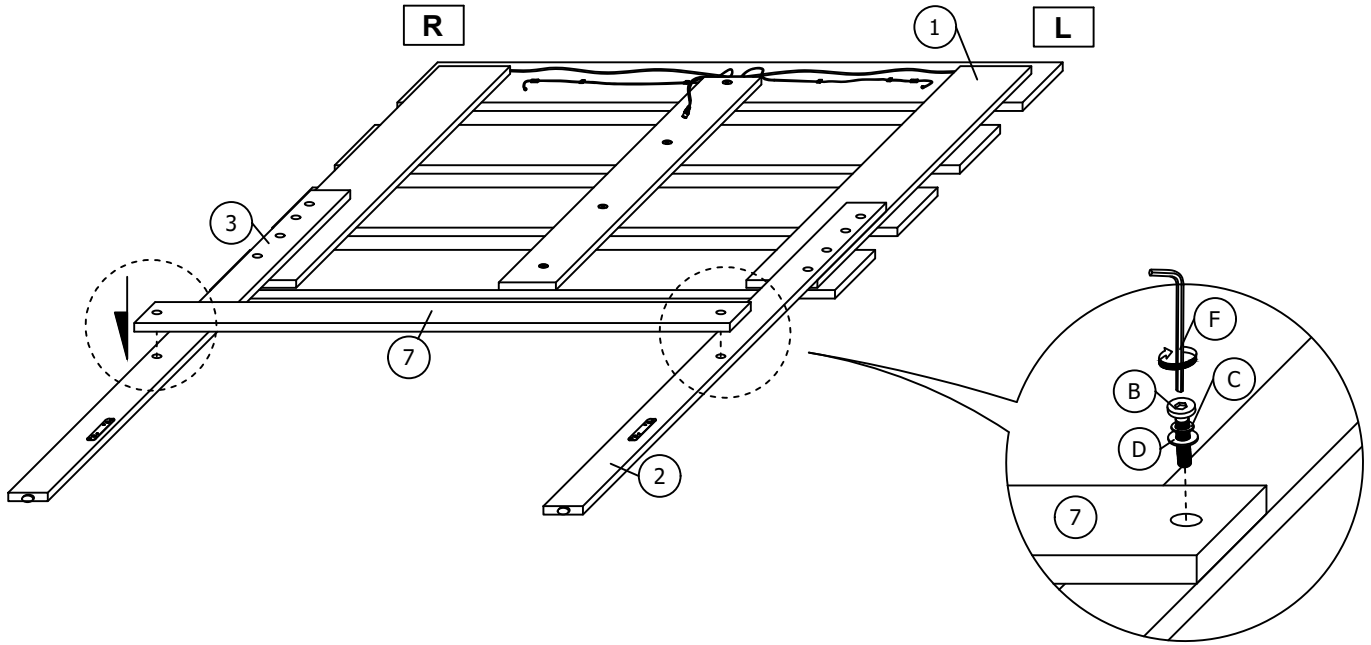
IMPORTANT NOTE :

- * Place all wooden parts on a clean and smooth surface such as a rug or carpet to avoid the parts from being scratched.
- * Check to be sure that you have all parts and hardware.
- * Remove all wrapping materials, including staples & packing straps before you start to assemble.
- * Do not tighten all screws/bolts until all completely assembled.
- * Keep all hardware parts out of reach of children.

ASSEMBLY INSTRUCTIONS

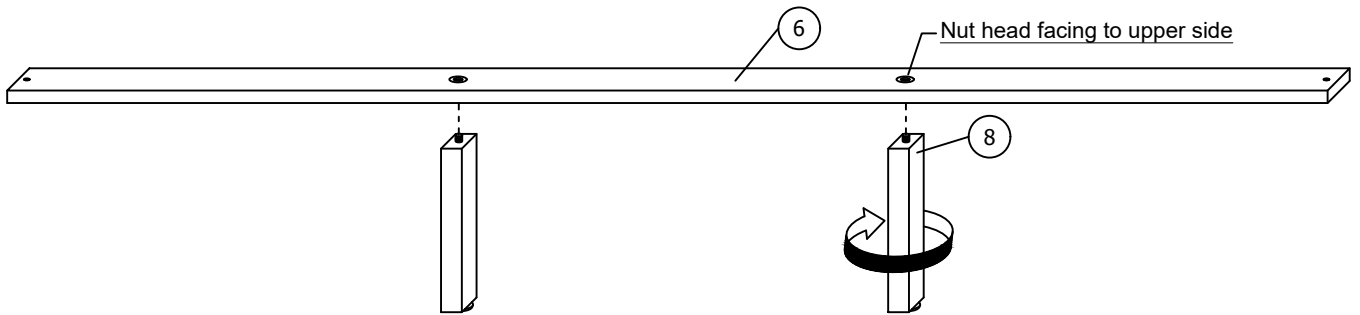
B6303-115 MISTY LODGE 6/6 EK HB,FB, & SLATS
 B6303-215 MISTY LODGE 6/0 WK HB,FB, & SLATS
 B6303-235 MISTY LODGE 6/0 WK SIDE RAILS
 B6303-335 MISTY LODGE 6/6-5/0 EK/Q SIDE RAILS

STEP 2



STEP 3

X 4



IMPORTANT NOTE :

- * Place all wooden parts on a clean and smooth surface such as a rug or carpet to avoid the parts from being scratched.
- * Check to be sure that you have all parts and hardware.
- * Remove all wrapping materials, including staples & packing straps before you start to assemble.
- * Do not tighten all screws/bolts until all completely assembled.
- * Keep all hardware parts out of reach of children.

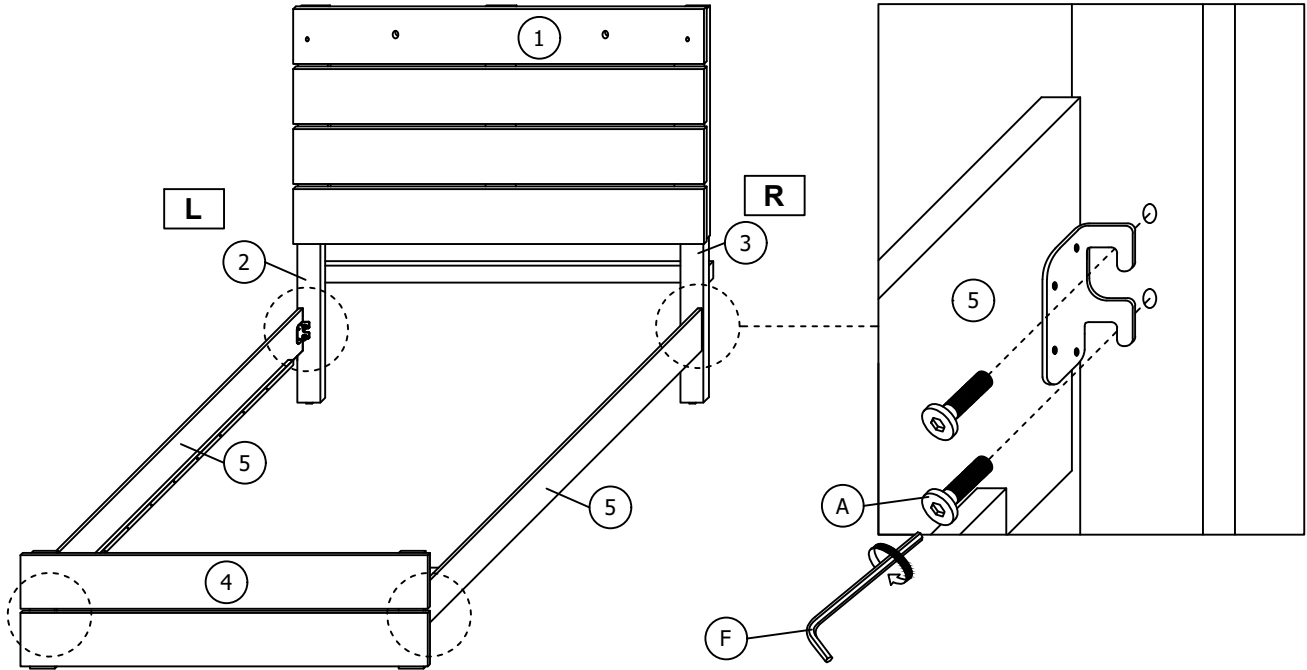


New
Classic
FURNITURE

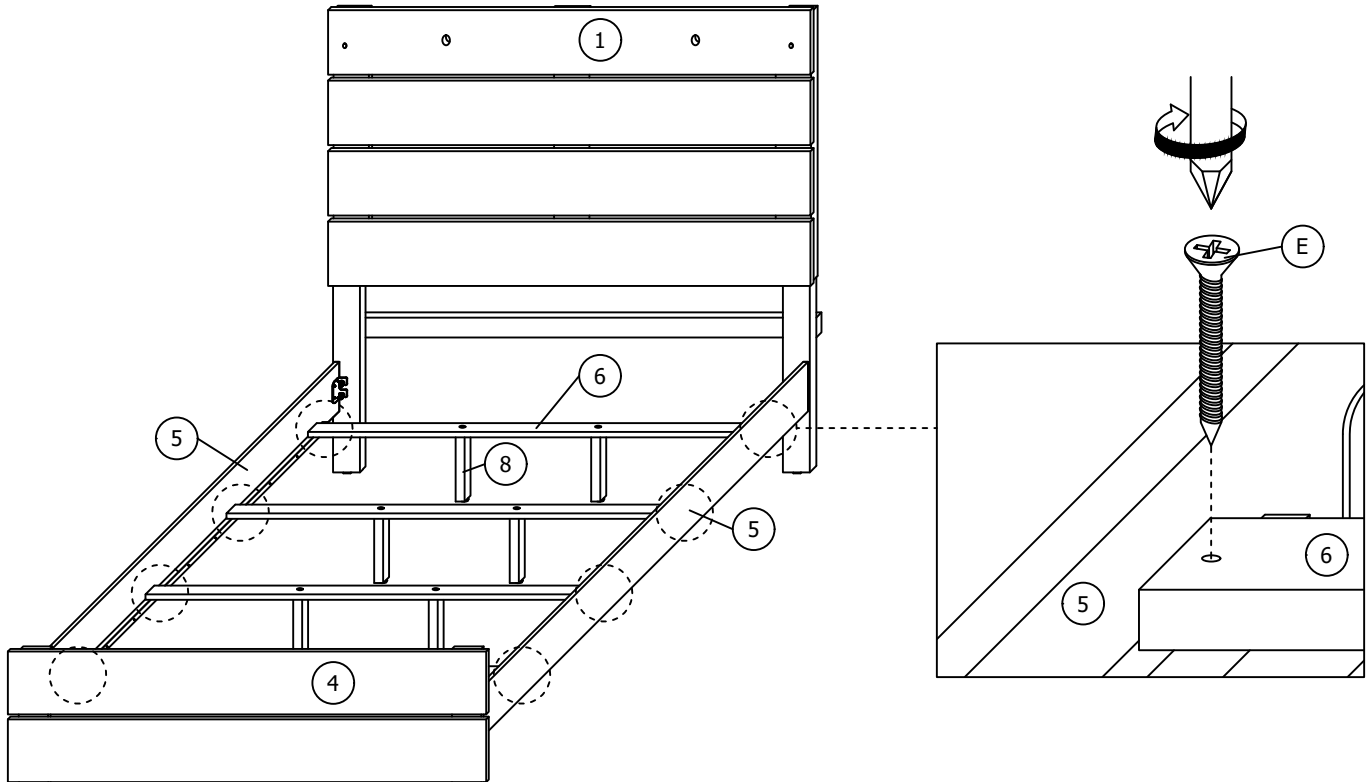
ASSEMBLY INSTRUCTIONS

B6303-115 MISTY LODGE 6/6 EK HB,FB, & SLATS
B6303-215 MISTY LODGE 6/0 WK HB,FB, & SLATS
B6303-235 MISTY LODGE 6/0 WK SIDE RAILS
B6303-335 MISTY LODGE 6/6-5/0 EK/Q SIDE RAILS

STEP 4



STEP 5



IMPORTANT NOTE :

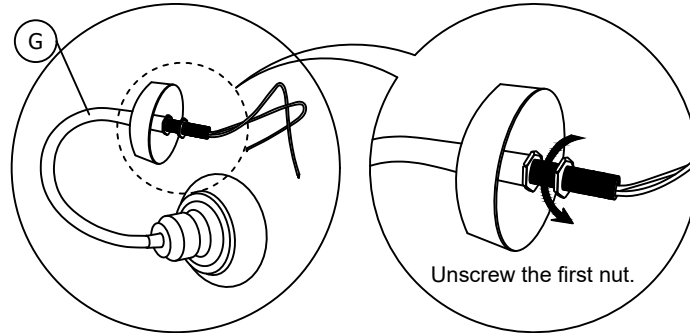
- * Place all wooden parts on a clean and smooth surface such as a rug or carpet to avoid the parts from being scratched.
- * Check to be sure that you have all parts and hardware.
- * Remove all wrapping materials, including staples & packing straps before you start to assemble.
- * Do not tighten all screws/bolts until all completely assembled.
- * Keep all hardware parts out of reach of children.

ASSEMBLY INSTRUCTIONS

B6303-115 MISTY LODGE 6/6 EK HB,FB, & SLATS
 B6303-215 MISTY LODGE 6/0 WK HB,FB, & SLATS
 B6303-235 MISTY LODGE 6/0 WK SIDE RAILS
 B6303-335 MISTY LODGE 6/6-5/0 EK/Q SIDE RAILS

STEP 6

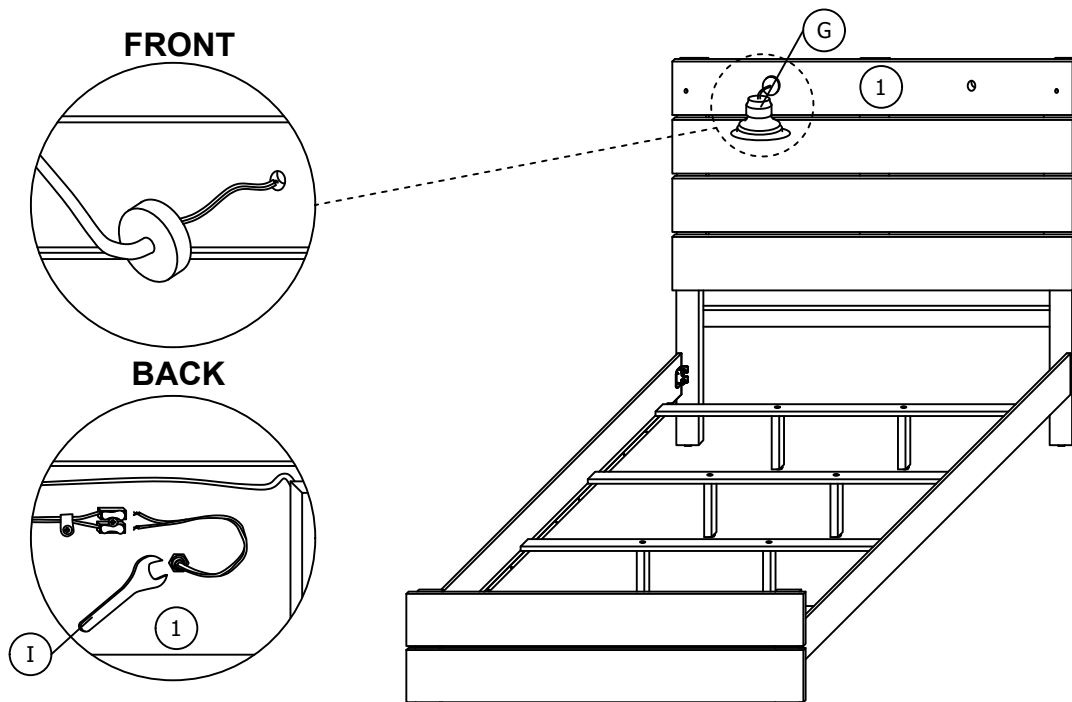
Take the Lamp out from the box.



STEP 7

FRONT - Feed the wires through the hole on the HB

BACK - Lock the lamp in position by screwing on the first nut that was removed in STEP 6



IMPORTANT NOTE :

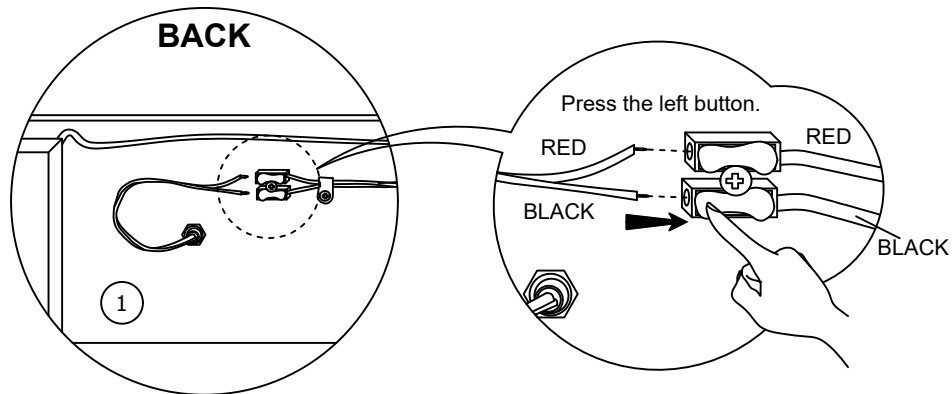
- * Place all wooden parts on a clean and smooth surface such as a rug or carpet to avoid the parts from being scratched.
- * Check to be sure that you have all parts and hardware.
- * Remove all wrapping materials, including staples & packing straps before you start to assemble.
- * Do not tighten all screws/bolts until all completely assembled.
- * Keep all hardware parts out of reach of children.

ASSEMBLY INSTRUCTIONS

B6303-115 MISTY LODGE 6/6 EK HB,FB, & SLATS
 B6303-215 MISTY LODGE 6/0 WK HB,FB, & SLATS
 B6303-235 MISTY LODGE 6/0 WK SIDE RAILS
 B6303-335 MISTY LODGE 6/6-5/0 EK/Q SIDE RAILS

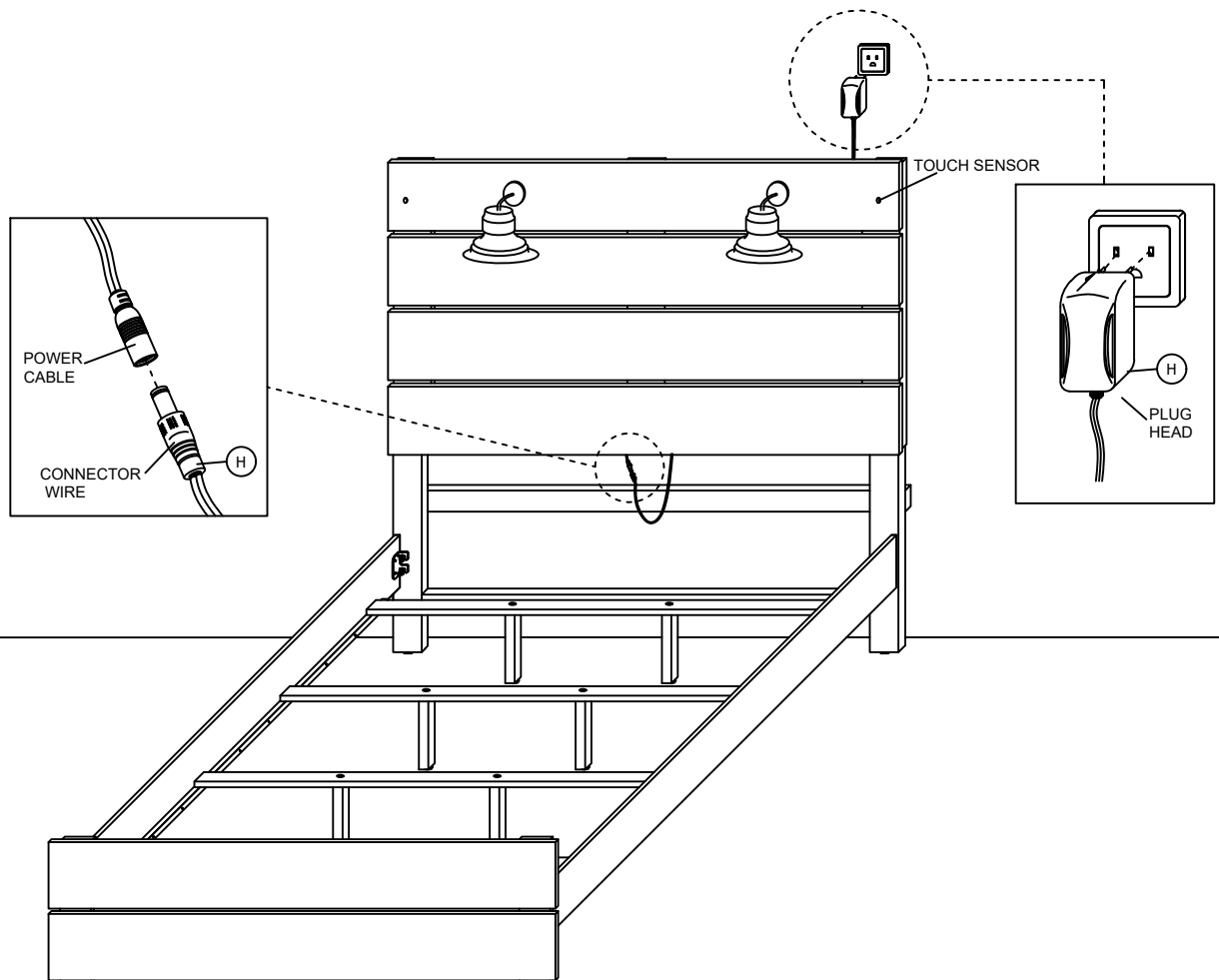
STEP 8

BACK - Check the color of the wires and connect the wires to the interface by matching the wires on the other end of the interface.



STEP 9

Please repeat STEP 6 through STEP 8 to complete the installation of the 2nd lamp then plug into power source.



ASSEMBLY COMPLETED

IMPORTANT NOTE :

- * Place all wooden parts on a clean and smooth surface such as a rug or carpet to avoid the parts from being scratched.
- * Check to be sure that you have all parts and hardware.
- * Remove all wrapping materials, including staples & packing straps before you start to assemble.
- * Do not tighten all screws/bolts until all completely assembled.
- * Keep all hardware parts out of reach of children.