



ASSEMBLY INSTRUCTIONS

HUXLEY EK/WK KING BED

B3365-115 HUXLEY 6/6 EK HB, FB AND SLATS

B3365-335 HUXLEY 6/6-5/0 EK/Q SIDE RAILS

B3365-215 HUXLEY 6/0 WK HB, FB AND SLATS

B3365-235 HUXLEY 6/0 WK SIDE RAILS

Thank you for purchasing this quality product. Be sure to check all packing materials carefully for small parts, which may have come loose inside the carton during shipment. Identify and count all items and compare with the parts list and/or hardware list shown below.

PARTS LIST

ITEM	DESCRIPTION	SKETCH	QTY
1	HEADBOARD		1PC
2	HEADBOARD LEG (RSF)		1PC
3	HEADBOARD LEG (LSF)		1PC
4	HEADBOARD RAIL		1PC
5	FOOTBOARD		1PC
6	FOOTBOARD LEG		2PCS
7	SLAT		4PCS
8	SLAT SUPPORT LEG W/ADJUSTABLE FFET		8PCS
9	SIDE RAIL (RSF)		1PC
10	SIDE RAIL (LSF)		1PC

HARDWARE LIST

ITEM	DESCRIPTION	SKETCH	QTY
A	JCBC SCREW - M8 x 25/32"		4PCS
B	JCBC SCREW - M8 x 1 3/8"		4PCS
C	JCBC SCREW - M6 x 1 3/8"		16PCS
D	JCBC SCREW - M6 x 19/32"		6PCS
E	SPRING WASHER - M6 x 15/32"		8PCS
F	FLAT WASHER - M6 x 3/4"		8PCS
G	SPRING WASHER - M8 x 33/64"		4PCS
H	FLAT WASHER - M8 x 55/64		4PCS
I	WOOD DOWEL - M10 x 1 3/16"		4PCS
J	CSK C/B SCREW - M4 x 1 17/64"		8PCS
K	M4 ALLEN KEY (2 9/16")		1PC
L	M5 ALLEN KEY (2 9/16")		1PC

IMPORTANT NOTE :

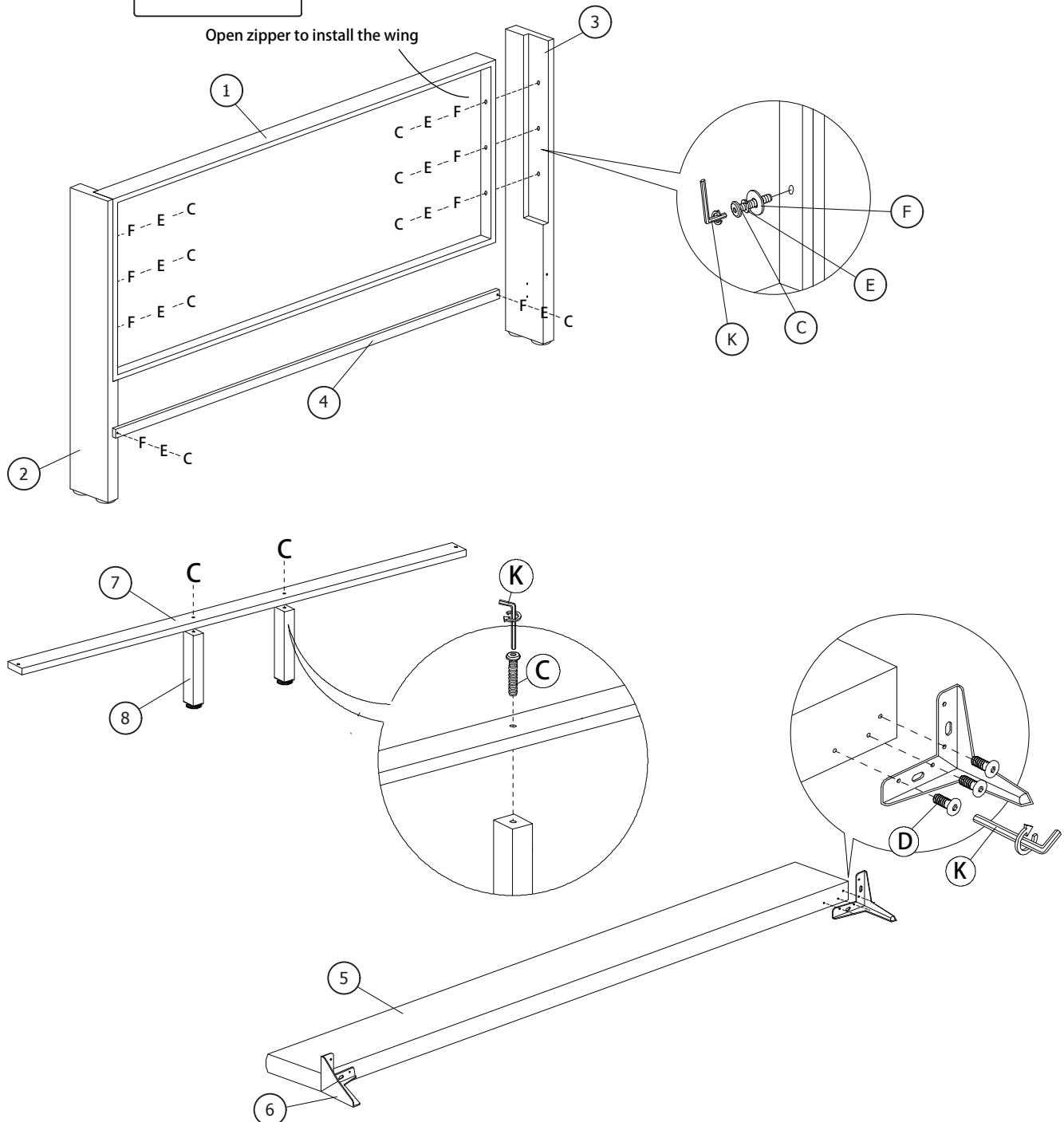
- * Place all wooden parts on a clean and smooth surface such as a rug or carpet to avoid the parts from being scratched.
- * Check to be sure that you have all parts and hardware.
- * Remove all wrapping materials, including staples & packing straps before you start to assemble.
- * Do not tighten all screws/bolts until all completely assembled.
- * Keep all hardware parts out of reach of children.

ASSEMBLY INSTRUCTIONS HUXLEY EK/WK KING BED

B3365-115 HUXLEY 6/6 EK HB, FB AND SLATS
 B3365-335 HUXLEY 6/6-5/0 EK/Q SIDE RAILS
 B3365-215 HUXLEY 6/0 WK HB, FB AND SLATS
 B3365-235 HUXLEY 6/0 WK SIDE RAILS

Thank you for purchasing this quality product. Be sure to check all packing materials carefully for small parts, which may have come loose inside the carton during shipment. Identify and count all items and compare with the parts list and/or hardware list shown below.

BACK VIEW



IMPORTANT NOTE :

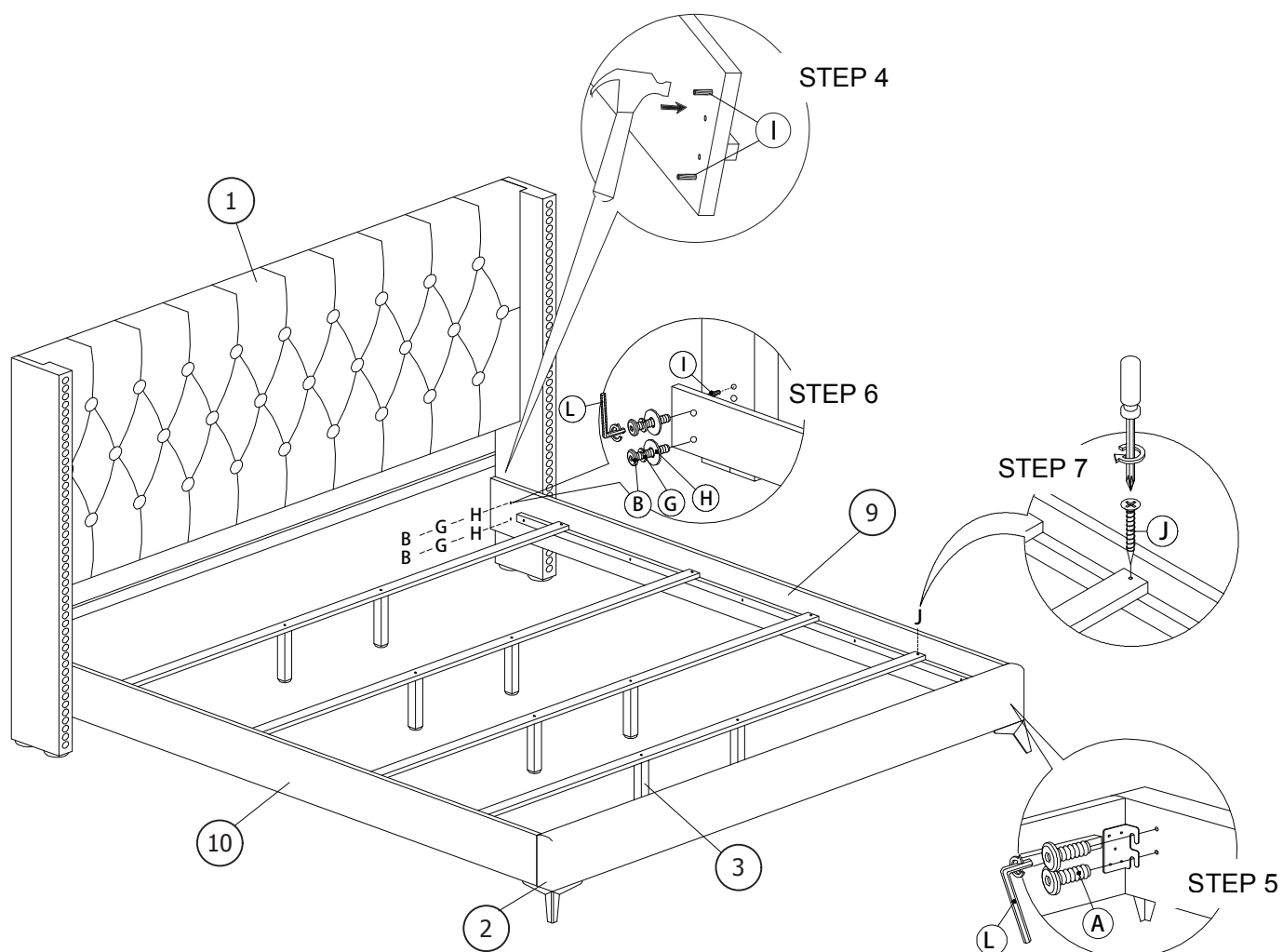
- * Place all wooden parts on a clean and smooth surface such as a rug or carpet to avoid the parts from being scratched.
- * Check to be sure that you have all parts and hardware.
- * Remove all wrapping materials, including staples & packing straps before you start to assemble.
- * Do not tighten all screws/bolts until all completely assembled.
- * Keep all hardware parts out of reach of children.



ASSEMBLY INSTRUCTIONS HUXLEY EK/WK KING BED

B3365-115 HUXLEY 6/6 EK HB, FB AND SLATS
B3365-335 HUXLEY 6/6-5/0 EK/Q SIDE RAILS
B3365-215 HUXLEY 6/0 WK HB, FB AND SLATS
B3365-235 HUXLEY 6/0 WK SIDE RAILS

Thank you for purchasing this quality product. Be sure to check all packing materials carefully for small parts, which may have come loose inside the carton during shipment. Identify and count all items and compare with the parts list and/or hardware list shown below.



IMPORTANT NOTE :

- * Place all wooden parts on a clean and smooth surface such as a rug or carpet to avoid the parts from being scratched.
- * Check to be sure that you have all parts and hardware.
- * Remove all wrapping materials, including staples & packing straps before you start to assemble.
- * Do not tighten all screws/bolts until all completely assembled.
- * Keep all hardware parts out of reach of children.