



# ASSEMBLY INSTRUCTIONS

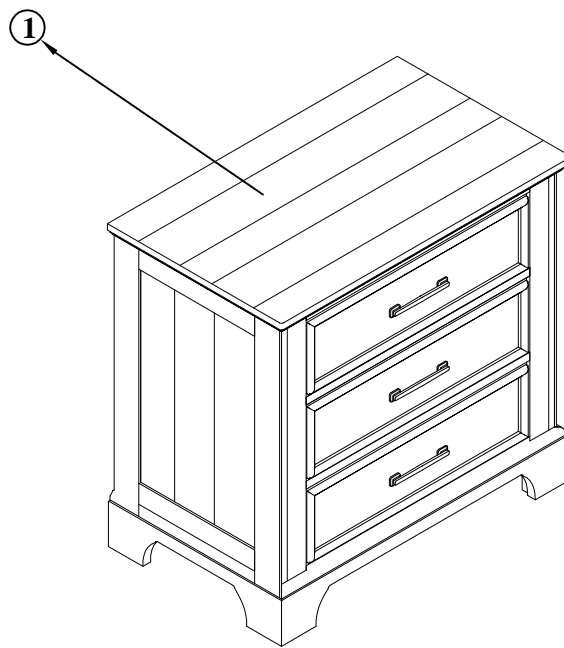
ITEM NO: B322-040 Stafford County Nightstand

Thank you for purchasing this quality product. Be sure to check all packing material carefully for small parts, which may have come loose inside the carton during shipment. Identify and count all item and compare with the parts list and/or hardware list shown below.

PART LIST			
NO.	Description	Sketch	Quantity
1	Nightstand		1pc

HARDWARE			
NO.	Description	Sketch	Quantity
A	Tipping Restraint		1set

## Step 1



## Step 2

