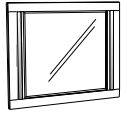

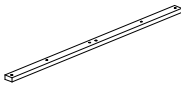

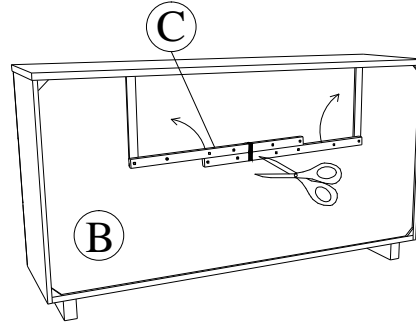


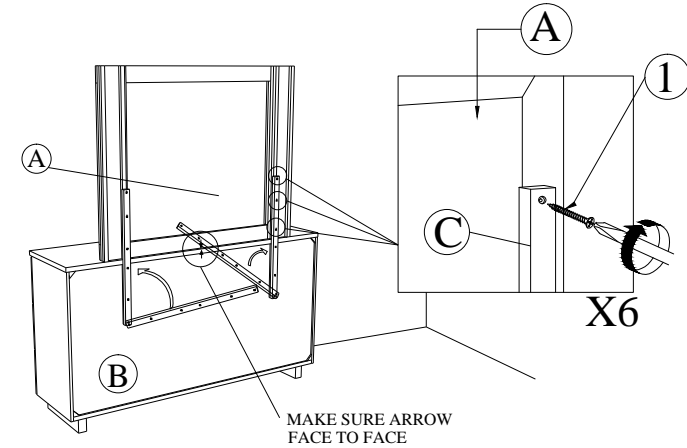
ASSEMBLY INSTRUCTIONS

MODEL : B2643 DRESSER & MIRROR		
(BOX 1) BOX OF MIRROR		
NO	PART LIST	QTY
MIRROR		
A		1 PC
(BOX 2) BOX OF DRESSER		
NO	PART LIST	QTY
DRESSER		
B		1 PC
MIRROR SUPPORT		
C		2 PCS
(BOX 1) BOX OF MIRROR		
NO	HARDWARE LIST	QTY
CSK SCREW M4 x 32MM		
1		10 PCS

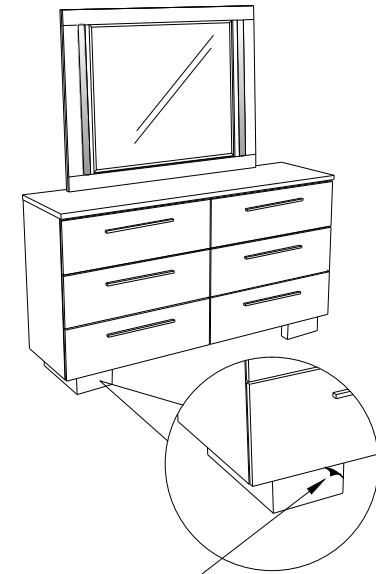
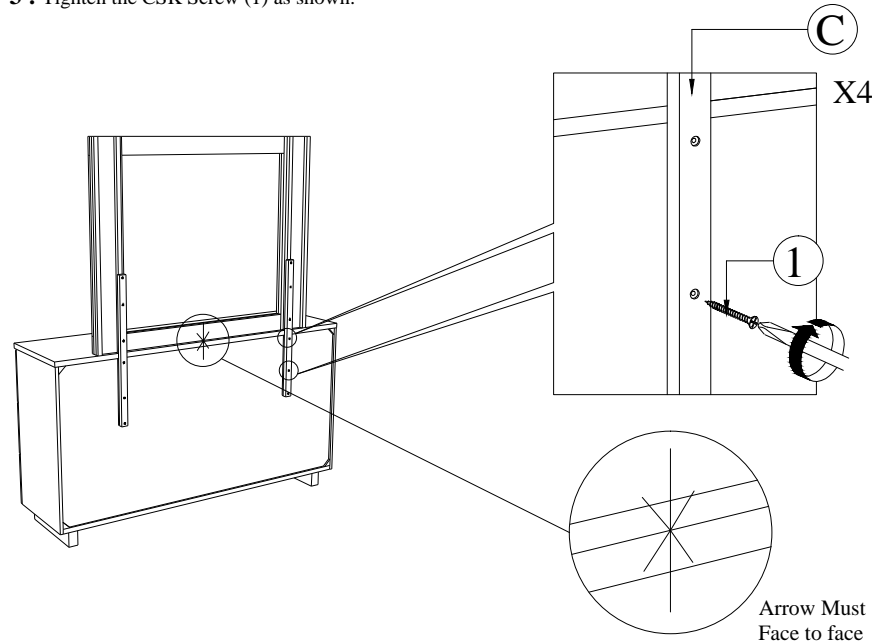
STEP 1 : Cut of the Raffia String from the back of DRESSER (B).



STEP 2 : Place the MIRROR FRAME (A) on the top of DRESSER (B), turn the MIRROR SUPPORT RAIL (C) upward at the back of DRESSER (B), then Tighten with CSK SCREW (1).



STEP 3 : Tighten the CSK Screw (1) as shown.



PLEASE REMOVE THE PROTECTIVE FILM
BEFORE USE
SVP ENLEVER LA PELLICULE PROTECTRICE
AVANT USAGE

**COMPLETED
ASSEMBLY**

NOTE : MUST TIGHTEN SCREWS PERIODCALLY WITH USE SCREW WILL BECOME LOOSE CHECK TIGHTNESS OF ALL SCREW EVERY 6-8 WEEKS.