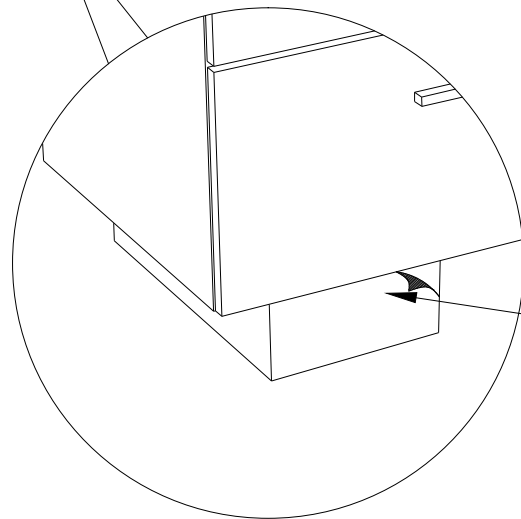
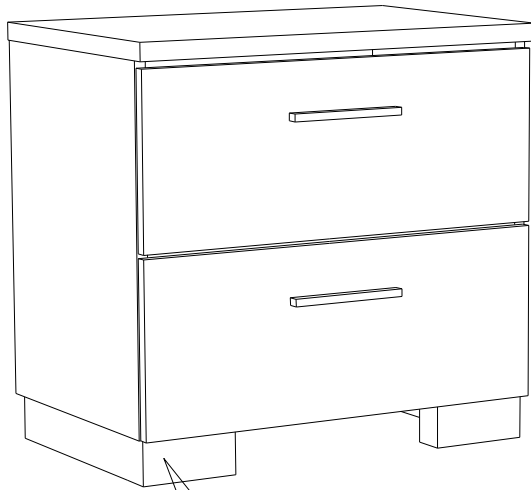


ASSEMBLY INSTRUCTION

0120A: NIGHTSTAND



PLEASE REMOVE THE PROTECTIVE FILM
BEFORE USE
SVP ENLEVER LA PELLICULE PROTRECTRICE
AVANT USAGE