

# Assembly Instructions





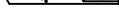
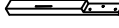
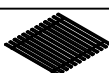
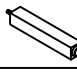

**B2442-110** FIONA 6/6-6/0 EK/WK HEADBOARD  
**B2442-128** FIONA 6/6-6/0 EK/WK STORAGE FOOTBOARD AND SLATS  
**B2442-230** FIONA 6/0 WK RAILS

Thank you for purchasing this quality product. Be sure to check all packing materials carefully for small parts, which may have come loose inside the carton during shipment. Identify and count all items and compare with the PARTS LIST and/or HARDWARE LIST shown below.





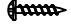



**Caution:** Please read the instructions thoroughly before assembly.

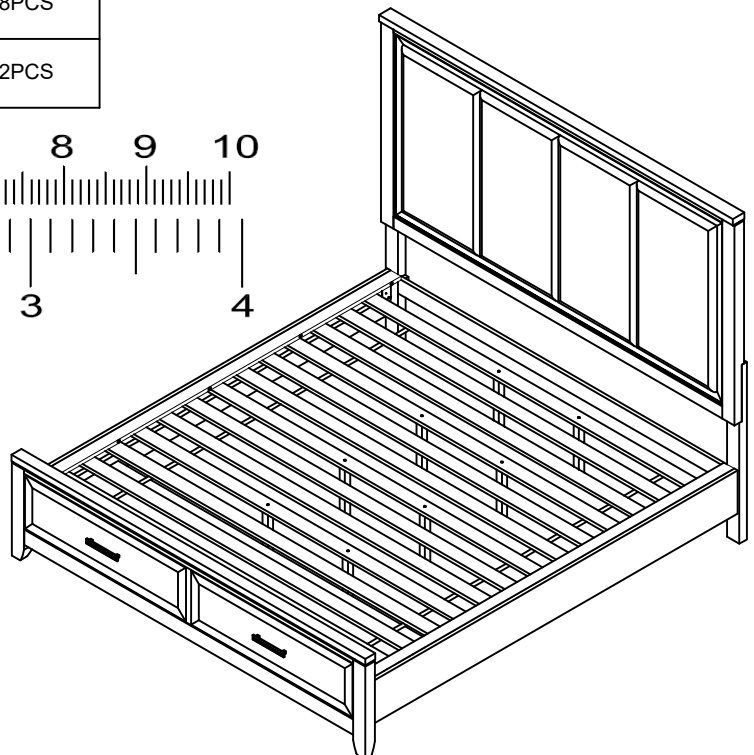
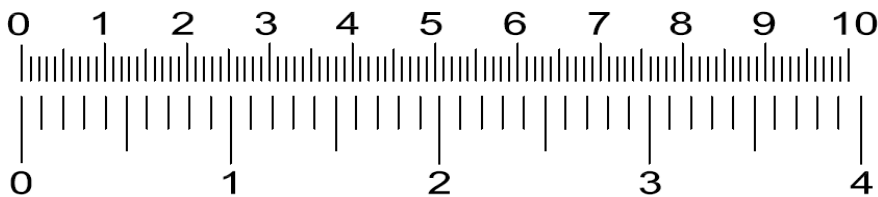
1. We recommend that you assemble this product with the assistance of another person: this will make the assembly easier, and will help eliminate damage to the product or injury to persons during assembly.
2. Please do not over tighten screws or bolts until the assembly is completed.
3. Please put all parts on a non-abrasive floor before assembly, and follow the assembly steps to assemble your newly purchased product correctly and efficiently

## PARTS LIST

NO:	COMPONENT	SKETCH	Q'TY
A	Headboard		1PC
B	Footboard		1PC
C	Side Rail		2PCS
D	Headboard Crossbar		1PC
E	Left Side Facing (LSF) HB Leg		1PC
F	Right Side Facing (RSF) HB Leg		1PC
G	Roll-Out Slat		1 SET
H	Support Legs		8PCS
I	Rail Cap		2PCS

## HARDWARE LIST

NO:	COMPONENT	SKETCH	Q'TY
1	Bolt 5/16" x 1-3/4"		8pcs
2	Lock Washer 5/16"		8pcs
3	Flat Washer 5/16" x 3/4"		8pcs
4	Allen key		1pc
5	Screw: #8*1-1/4"		26pcs
6	Bolt 1/4" x 2"		10pcs
7	Lock Washer 1/4"		10pcs
8	Flat Washer 1/4" x 1/2"		10pcs





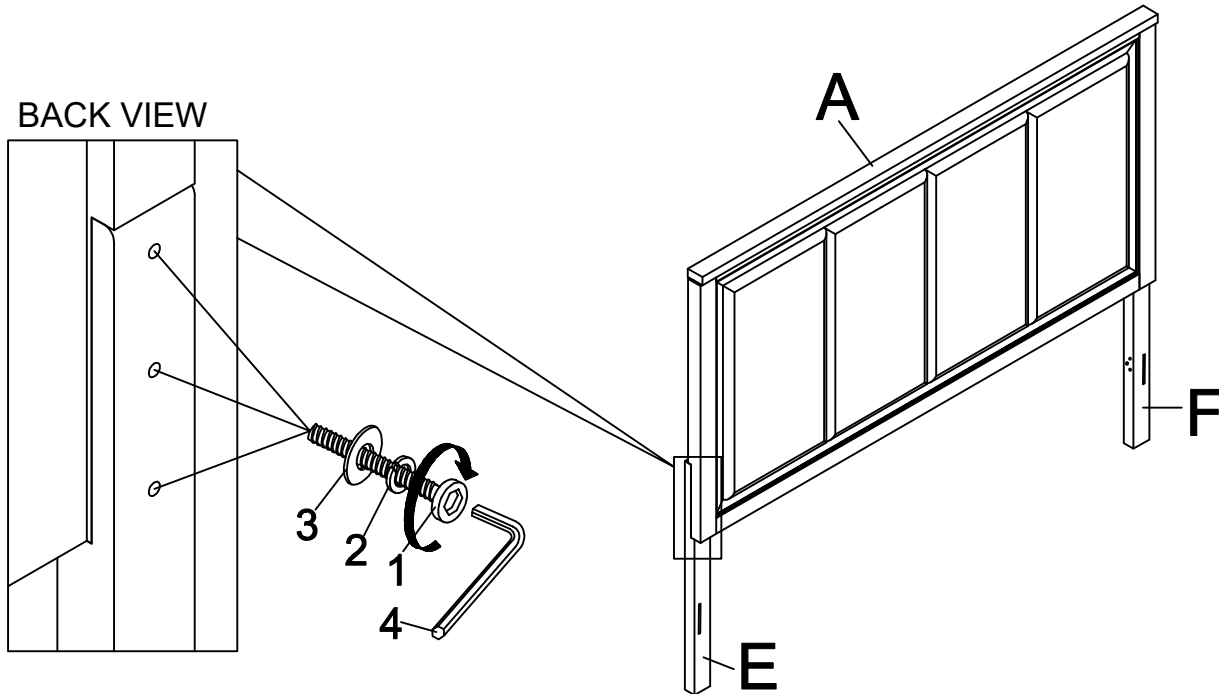
New  
Classic®  
FURNITURE

# Assembly Instructions

B2442-110 FIONA 6/6-6/0 EK/WK HEADBOARD  
B2442-128 FIONA 6/6-6/0 EK/WK STORAGE FOOTBOARD AND SLATS  
B2442-230 FIONA 6/0 WK RAILS

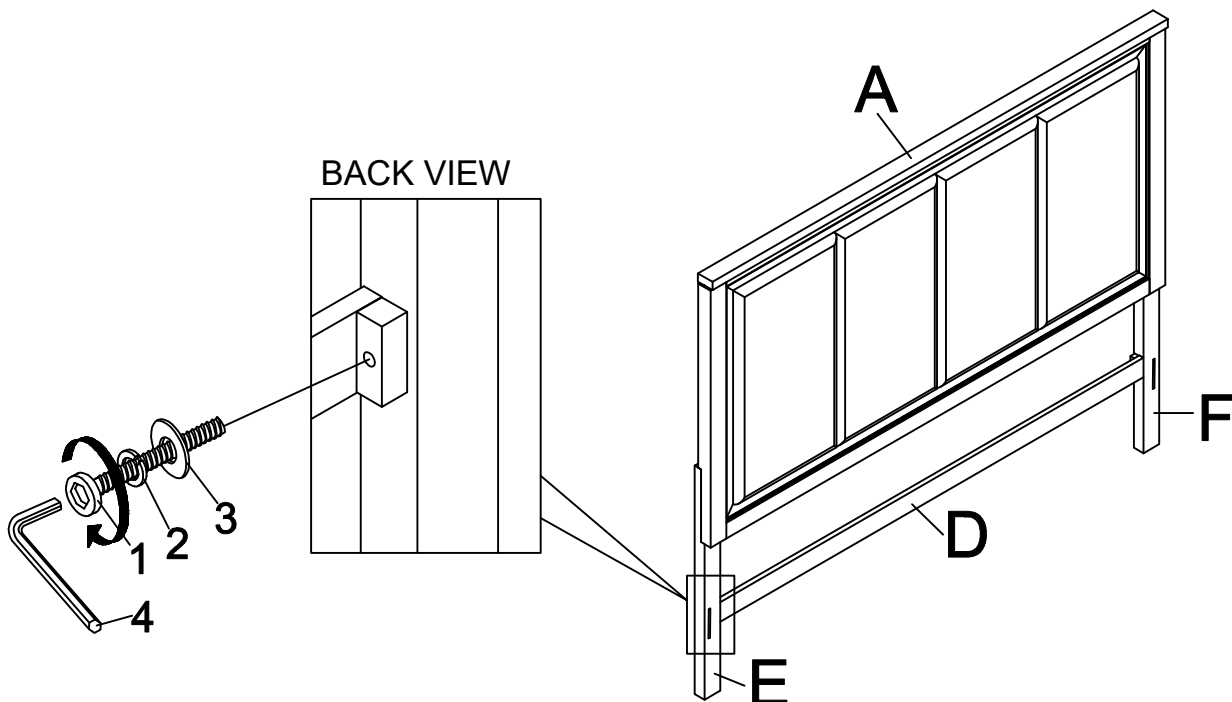
## STEP 1

Assemble LSF HB Leg (E) and RSF HB Leg (F) to Headboard (A) by using Allen Key (4) with hardware 1, 2, and 3.  
Attn: DO NOT TIGHTEN THE BOLTS



## STEP 2

Assemble Headboard Crossbar (D) to HB legs (E) and (F) by using Allen Key (4) with hardware 1, 2, and 3.





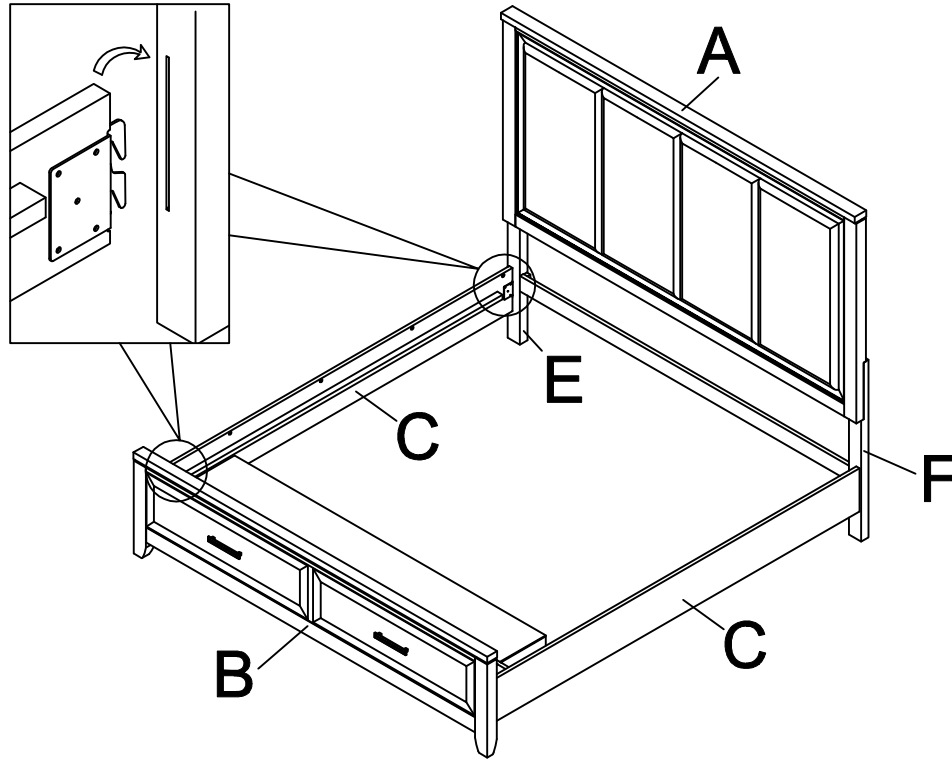
New  
Classic®  
FURNITURE

# Assembly Instructions

B2442-110 FIONA 6/6-6/0 EK/WK HEADBOARD  
B2442-128 FIONA 6/6-6/0 EK/WK STORAGE FOOTBOARD AND SLATS  
B2442-230 FIONA 6/0 WK RAILS

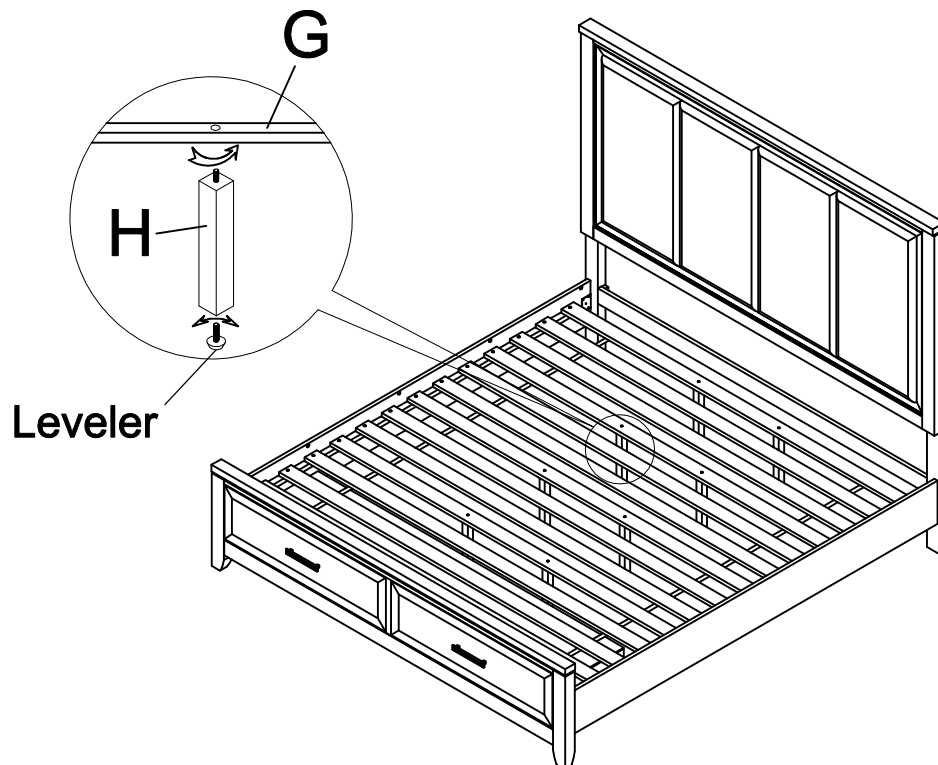
## STEP 3

Assemble side rails (C) to HB legs (E & F) and Footboard (B) as below



## STEP 4

Assemble the support legs (H) by twisting them on the roll-out slat (G). Then adjust the leveler on the support legs (H) to level with the floor.



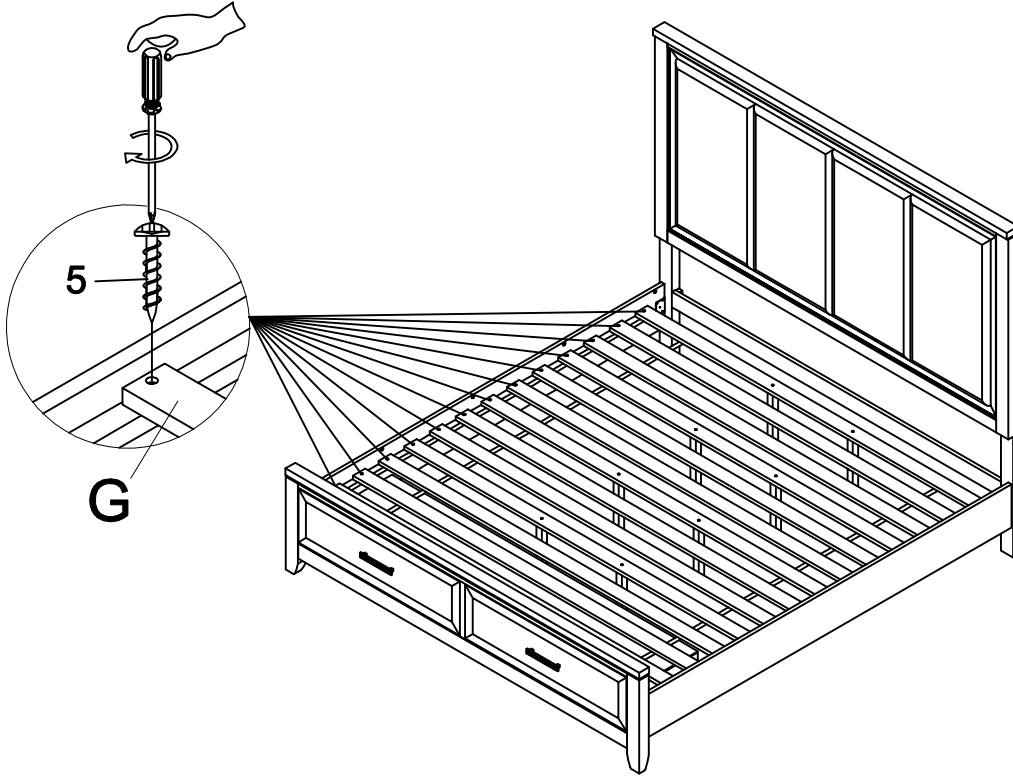


New  
Classic®  
FURNITURE

# Assembly Instructions

B2442-110 FIONA 6/6-6/0 EK/WK HEADBOARD  
B2442-128 FIONA 6/6-6/0 EK/WK STORAGE FOOTBOARD AND SLATS  
B2442-230 FIONA 6/0 WK RAILS

**STEP 5** Assemble the roll-out slat (G) to the side rails (C) by using a screwdriver with hardware 5.



**STEP 6** Assemble the rail caps (I) to the side rails (C) by using Allen Key (4) with hardware 6, 7 and 8.

