

Assembly Instructions


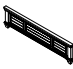

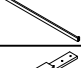
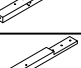

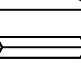

B2118-110 JAMESTOWN 6"6"/6"0" K HEADBOARD
 B2118-120 JAMESTOWN 6"6"/6"0" K FOOTBOARD & SLATS
 B2118-230 JAMESTOWN 6/0 WK RAILS

Thank you for purchasing this quality product. Be sure to check all packing materials carefully for small parts, which may have come loose inside the carton during shipment. Identify and count all items and compare with the PARTS LIST and/or HARDWARE LIST shown below.







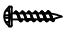


Caution: Please read the instructions thoroughly before assembly.

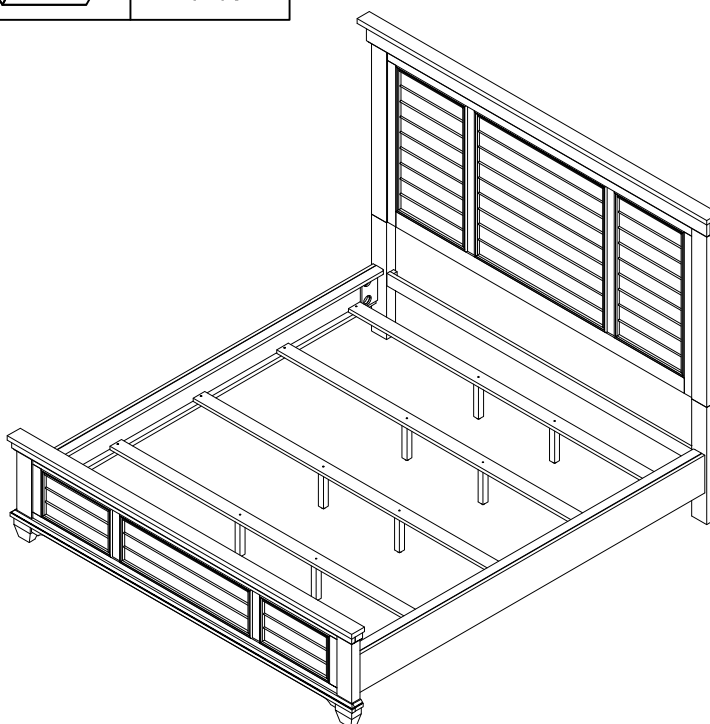
1. We recommend that you assemble this product with the assistance of another person: this will make the assembly easier, and will help eliminate damage to the product or injury to persons during assembly.
2. Please do not over tighten screws or bolts until the assembly is completed.
3. Please put all parts on a non-abrasive floor before assembly, and follow the assembly steps to assemble your newly purchased product correctly and efficiently

PARTS LIST

NO:	COMPONENT	DRAWING	Q'TY
A	Headboard		1PC
B	Footboard		1PC
C	Side Rail		2PCS
D	Headboard Crossbar		1PC
E	Left leg		1PC
F	Right leg		1PC
G	Slats		4PCS
H	Support Legs		8PCS

HARDWARE LIST

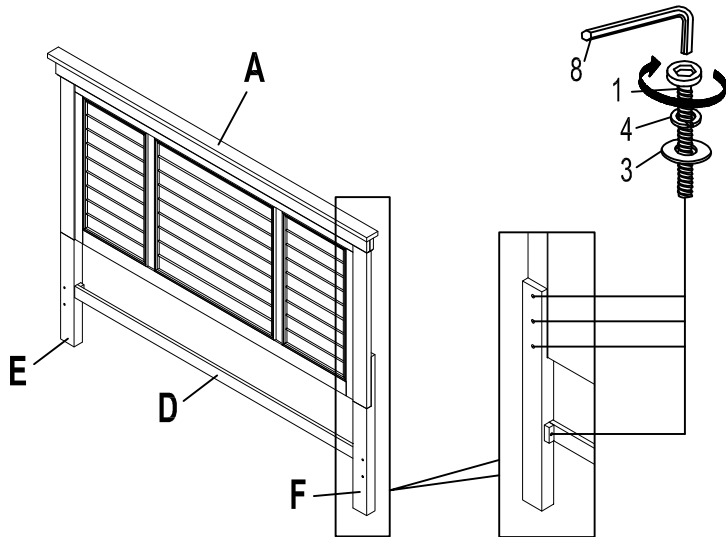
NO:	COMPONENT	DRAWING	Q'TY
1	Bolt 5/16" x 1-3/4"		8pcs
2	Bolt 5/16" x 3-1/2"		8pcs
3	Flat Washer 5/16"*3/4"		8pcs
4	Lock Washer 5/16"		16pcs
5	Half Moon Washer 5/16"		8pcs
6	Nut (5/16")		8pcs
7	Screw: #8*1-1/4"		8pcs
8	Allen key		1pc
9	Open Wrench 5/16"		1pc



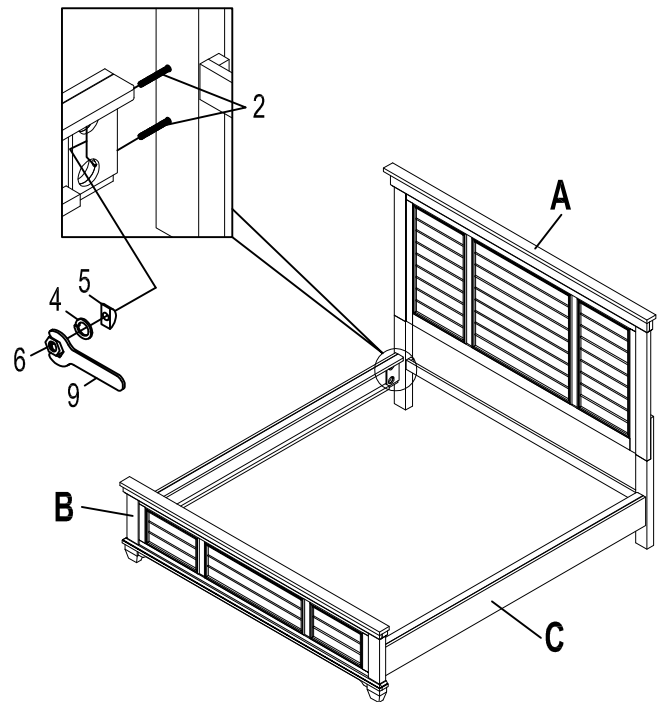
Assembly Instructions

B2118-110 JAMESTOWN 6"6"/6"0" K HEADBOARD
 B2118-120 JAMESTOWN 6"6"/6"0" K FOOTBOARD & SLATS
 B2118-230 JAMESTOWN 6/0 WK RAILS

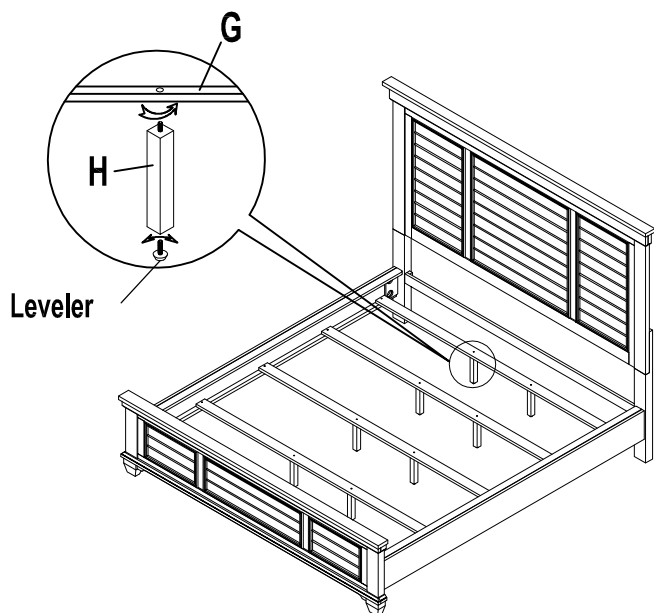
STEP 1



STEP 2



STEP 3



STEP 4

