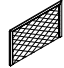



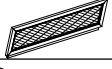

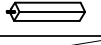



ASSEMBLY INSTRUCTIONS

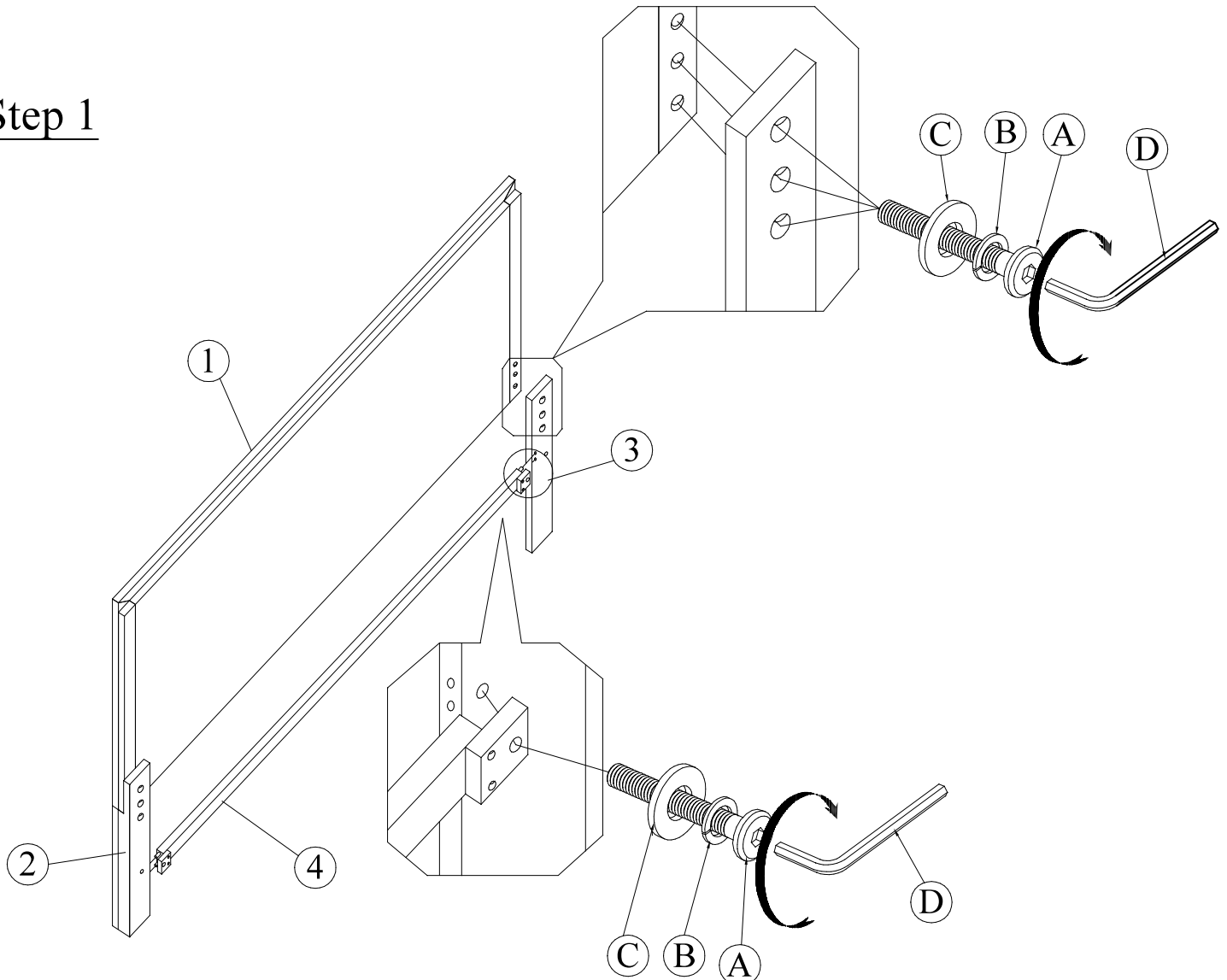
ITEM NO: B2025-510 LUXOR 3/3 T HEADBOARD
 B2025-520 LUXOR 3/3 T FOOTBOARD
 B2025-530 LUXOR 3/3-4/6 T/F SIDE RAILS

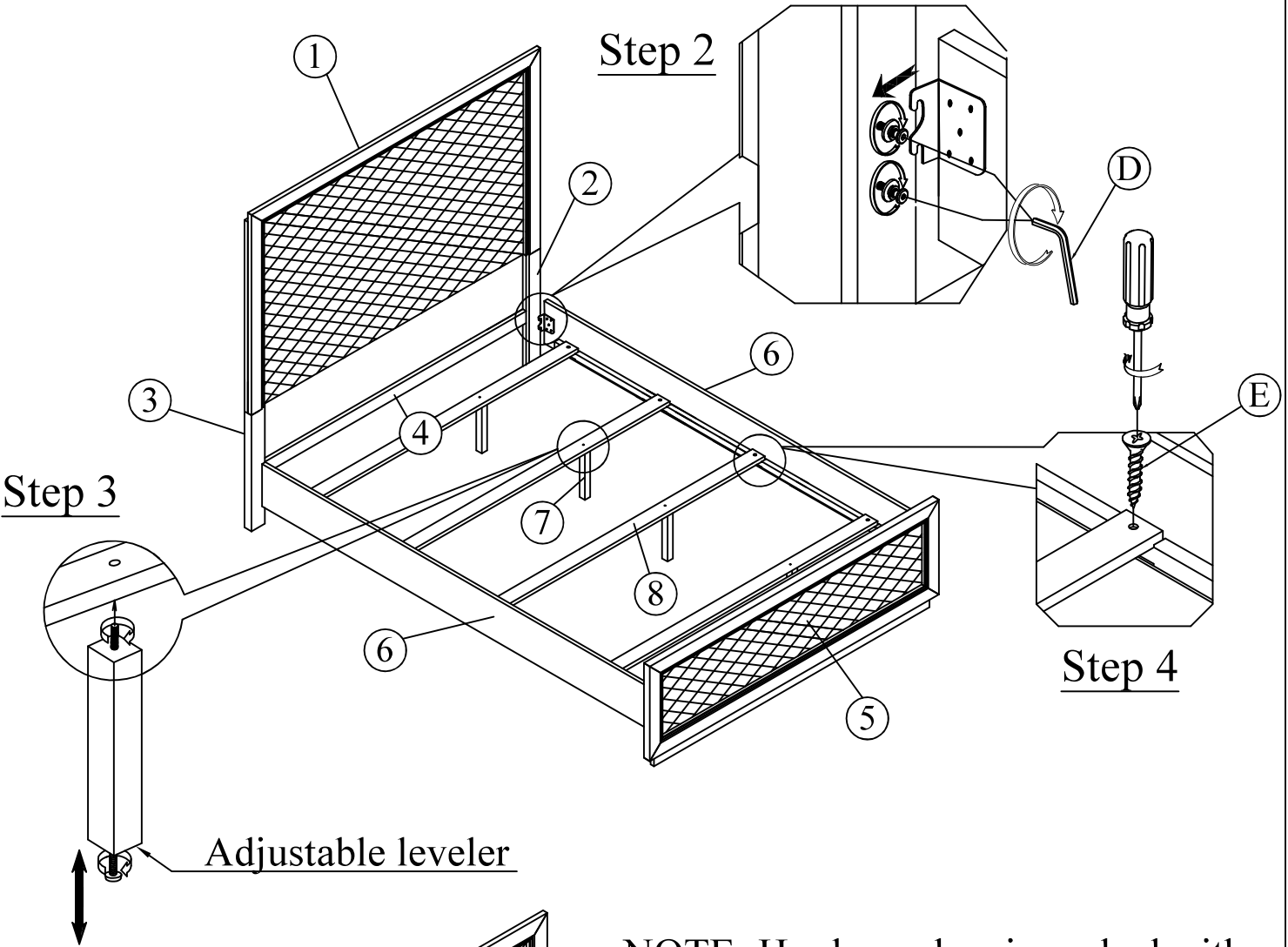
Thank you for purchasing this quality product. Be sure to check all packing material carefully for small parts ,which may have come loose inside the carton during shipment. Identify and count all items and compare with the parts list and/or hardware list shown below.

PARTS LIST			
NO.	Description	Sketch	Q'ty
1	HEADBOARD		1pc
2	RIGHT HEADBOARD LEG		1pc
3	LEFT HEADBOARD LEG		1pc
4	STRETCHER		1pc
5	FOOTBOARD		1pc
6	SIDE RAIL		2pcs
7	LONG SLAT SUPPORT LEG		4pcs
8	BED SLAT		4pcs

HARDWARE LIST			
NO.	Description	Sketch	Q'ty
A	BOLT Ø5/16 " x 1-1/2"		8PCS
B	SPRING WASHER Ø5/16 "		8PCS
C	FLAT WASHER Ø5/16 "		8PCS
D	ALLEN KEY 4*58*22MM		1PC
E	SCREW Ø8*25MM		8PCS

Step 1





NOTE: Hardware bag is packed with Headboard and Footboard

