

Assembly Instructions

B1808-110: PALAZZO MARINA 6/6-6/0 EK/WK HEADBOARD
 B1808-120: PALAZZO MARINA 6/6-6/0 EK/WK FOOTBOARD & SLATS
 B1808-310P: PALAZZO MARINA POST SET FOR K OR Q HB
 B1808-320P: PALAZZO MARINA POST SET FOR K OR Q FB
 B1808-230: PALAZZO MARINA 6/0 WK PANEL SIDE RAILS
 B1808-140: PALAZZO MARINA 6/0-6/6 EK/WK CANOPY





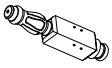
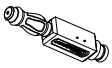



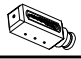








It is recommended to have 5 persons assemble this product to avoid damage to the product due to the weight of the product.



















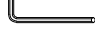
CAUTION: Please read the instructions thoroughly before assembly.

1. Please do not over tighten screws or bolts until the assembly is completed.
2. Please put all parts on a non-abrasive floor before assembly, and follow the assembly steps to assemble your newly purchased product correctly and efficiently.

PARTS LIST

NO:	COMPONENT	SKETCH	QTY
A	HEADBOARD		1PC
B	FOOTBOARD		1PC
C	SIDE RAIL		2PCS
D	FINIAL		4PCS
E	HB R SIDE FACING LEG		1PC
F	HB L SIDE FACING LEG		1PC
G	HB BOTTOM STRECHER		1PC
H	SLAT		4PCS
I	SUPPORT LEG		8PCS
J	FB R SIDE FACING LEG		1PC
K	FB L SIDE FACING LEG		1PC
L	BOTTOM POST		2PCS
M	POST		4PCS
N	CANOPY		4PCS
O	CONNECTING RING		4PCS
P	CANOPY FINIAL		1PC

HARDWARE LIST

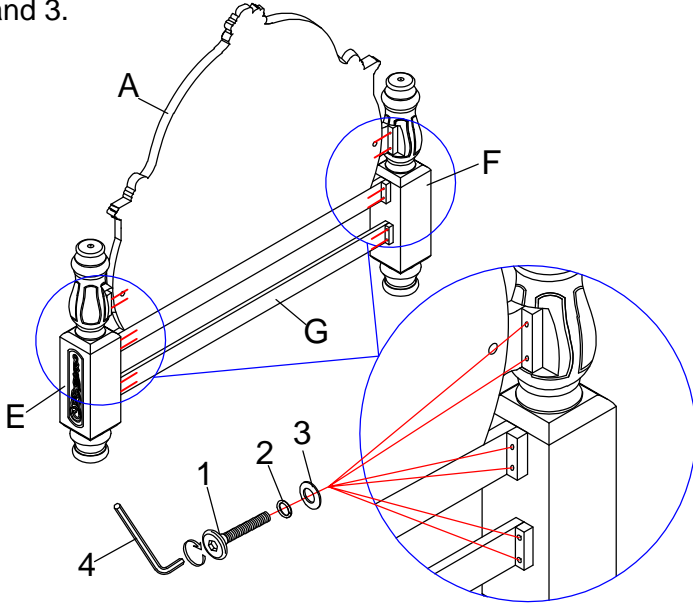
NO:	COMPONENT	SKETCH	QTY
1	BOLT $\Phi 5/16$ "x2"L		12PCS
2	LOCK WASHER $\Phi 5/16$ "		12PCS
3	FLAT WASHER $\Phi 5/16$ "		12PCS
4	ALLEN KEY 1/6"		1PC
5	THREADED BOLT $\Phi 5/16$ "x3-1/2"L		8PCS
6	FLAT WASHER		8PCS
7	HEX NUT $\Phi 5/16$ "		8PCS
8	$\Phi 5/16$ " WRENCH 1/2"		1PC
9	WOOD SCREW $\Phi 8$ x1-1/4"L		8PCS
10	BOLT $\Phi 5/16$ "x2"L		6PCS
11	LOCK WASHER $\Phi 5/16$ "		6PCS
12	FLAT WASHER $\Phi 5/16$ "		6PCS
13	ALLEN KEY 1/6"		1PC
14	WOOD CAP		8PCS
15	GLUE FOR WOOD CAP		1PC
16	BOLT $\Phi 1/4$ "x1/2"L		16PCS
17	LOCK WASHER $\Phi 1/4$ "		16PCS
18	FLAT WASHER $\Phi 1/4$ "		16PCS
19	ALLEN KEY 1/6"		1PC

Assembly Instructions

B1808-110: PALAZZO MARINA 6/6-6/0 EK/WK HEADBOARD
 B1808-120: PALAZZO MARINA 6/6-6/0 EK/WK FOOTBOARD & SLATS
 B1808-310P: PALAZZO MARINA POST SET FOR K OR Q HB
 B1808-320P: PALAZZO MARINA POST SET FOR K OR Q FB
 B1808-230: PALAZZO MARINA 6/0 WK PANEL SIDE RAILS
 B1808-140: PALAZZO MARINA 6/0-6/6 EK/WK CANOPY

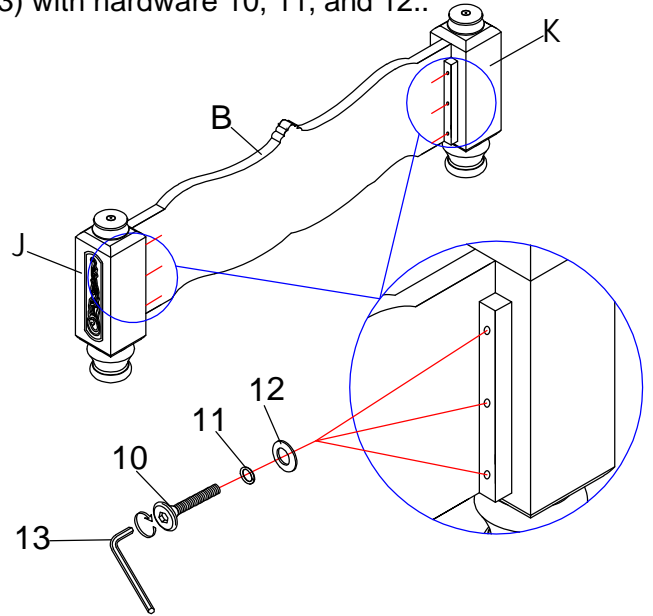
STEP 1

Assemble HB R side facing leg (E) and HB L side facing leg (F) to Headboard (A) by using Allen Key (4) with hardware 1, 2 and 3. Then assemble HB bottom stretcher (G) using Allen Key (4) with hardware 1, 2, and 3.



STEP 2

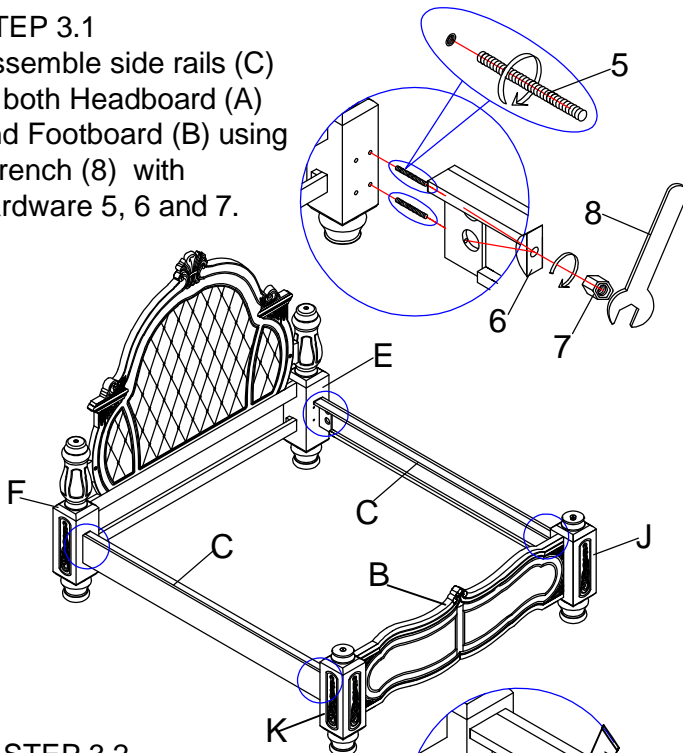
Assemble FB R side facing leg (J) and FB L side facing leg (K) to Footboard (B) using Allen Key (13) with hardware 10, 11, and 12..



STEP 3

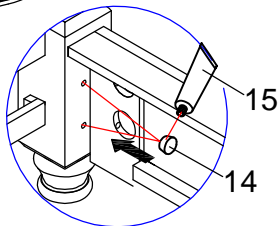
STEP 3.1

Assemble side rails (C) to both Headboard (A) and Footboard (B) using Wrench (8) with hardware 5, 6 and 7.



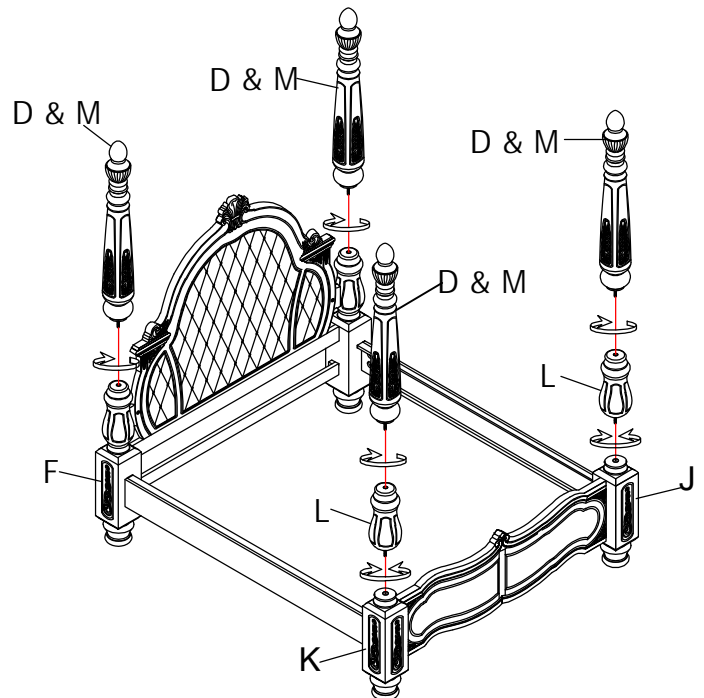
STEP 3.2

Apply glue (15) to all holes in bed legs, then press wood cap (14) into holes.



STEP 4

Install Finial (D) and Post (M) to HB R side facing leg (E) and HB L side facing leg (F). Then install Finial (D), Post (M), and Bottom Post (L) to FB R side facing leg (J) and FB L side facing leg (K).

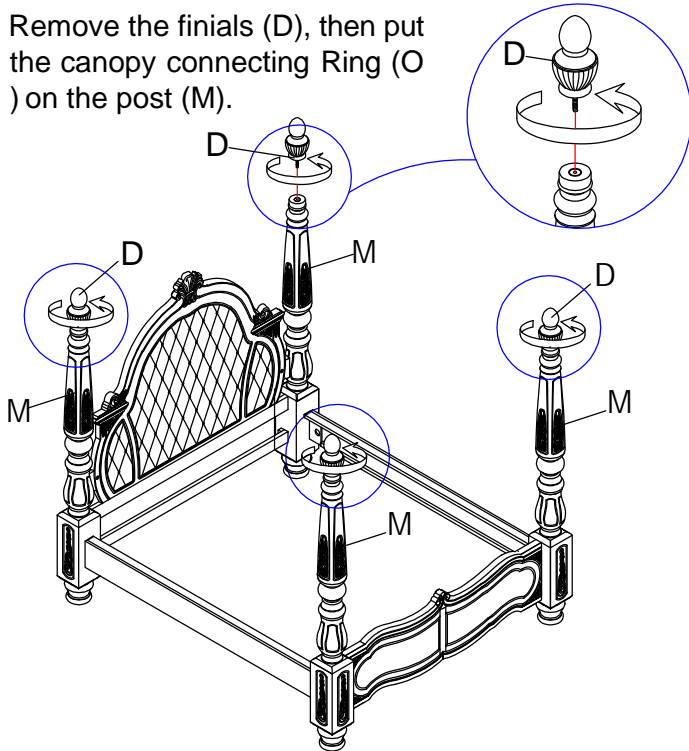


Assembly Instructions

B1808-110: PALAZZO MARINA 6/6-6/0 EK/WK HEADBOARD
 B1808-120: PALAZZO MARINA 6/6-6/0 EK/WK FOOTBOARD & SLATS
 B1808-310P: PALAZZO MARINA POST SET FOR K OR Q HB
 B1808-320P: PALAZZO MARINA POST SET FOR K OR Q FB
 B1808-230: PALAZZO MARINA 6/0 WK PANEL SIDE RAILS
 B1808-140: PALAZZO MARINA 6/0-6/6 EK/WK CANOPY

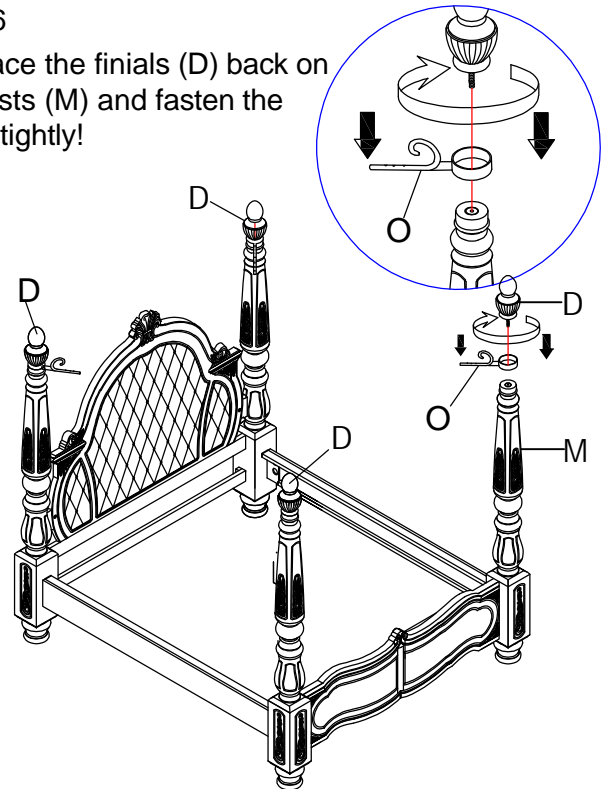
STEP 5

Remove the finials (D), then put the canopy connecting Ring (O) on the post (M).



STEP 6

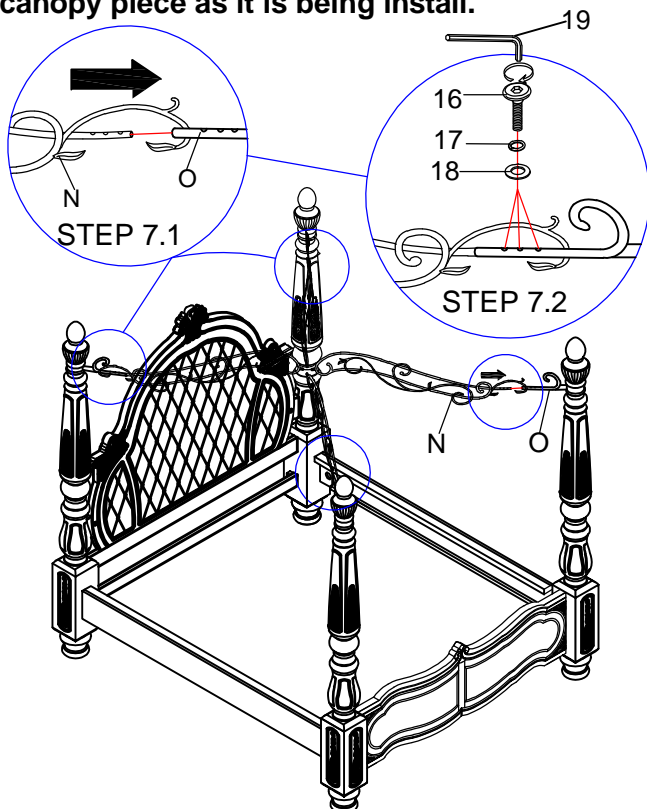
*Replace the finials (D) back on the posts (M) and fasten the finials tightly!



STEP 7

Connect canopies (N) with connecting ring (O) using Allen Key (19) with hardware 16, 17, and 18.

***We recommend a person holding each canopy piece as it is being install.**

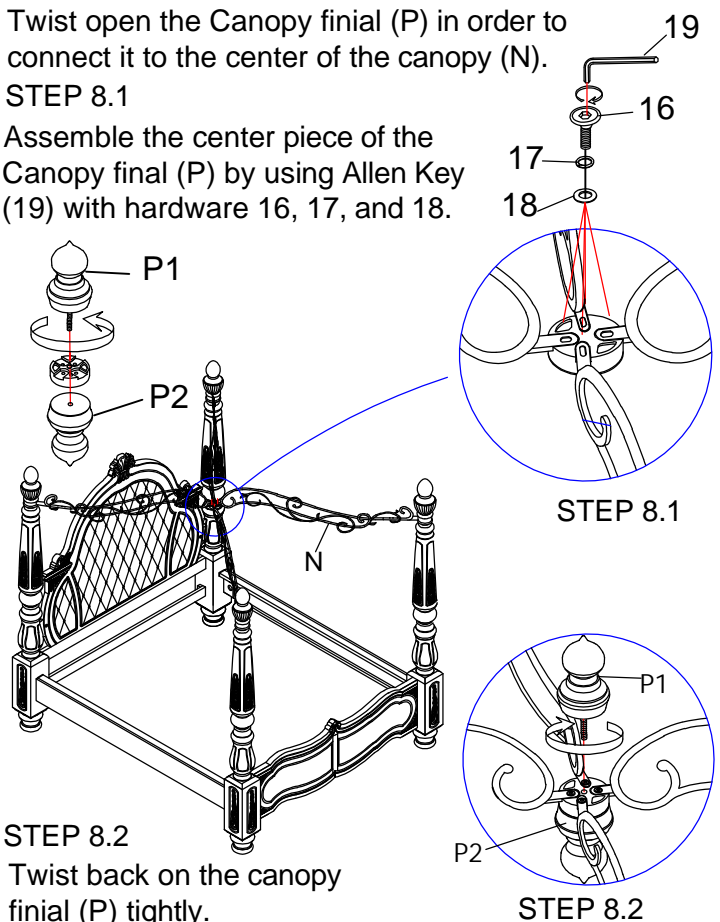


STEP 8

Twist open the Canopy finial (P) in order to connect it to the center of the canopy (N).

STEP 8.1

Assemble the center piece of the Canopy finial (P) by using Allen Key (19) with hardware 16, 17, and 18.



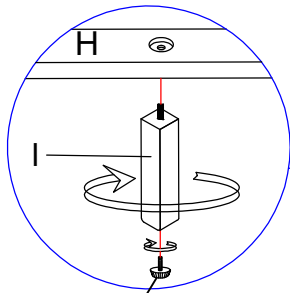
Assembly Instructions

B1808-110: PALAZZO MARINA 6/6-6/0 EK/WK HEADBOARD
 B1808-120: PALAZZO MARINA 6/6-6/0 EK/WK FOOTBOARD & SLATS
 B1808-310P: PALAZZO MARINA POST SET FOR K OR Q HB
 B1808-320P: PALAZZO MARINA POST SET FOR K OR Q FB
 B1808-230: PALAZZO MARINA 6/0 WK PANEL SIDE RAILS
 B1808-140: PALAZZO MARINA 6/0-6/6 EK/WK CANOPY

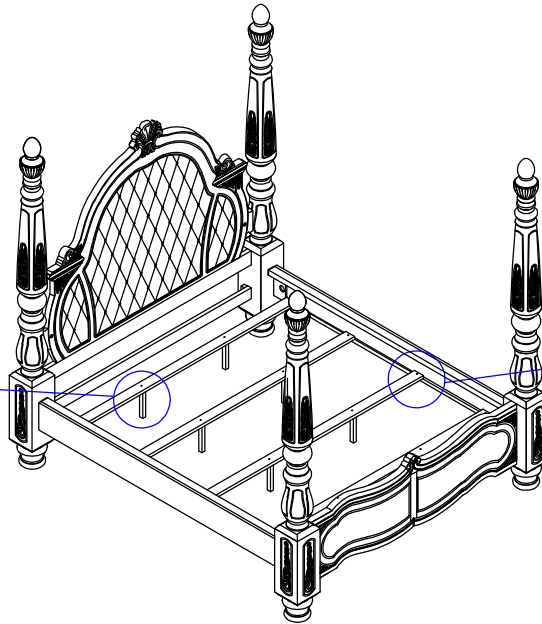
STEP 9

STEP 9.1

Assemble support legs (I) on to slats (H), then adjust the leveler even with the floor.

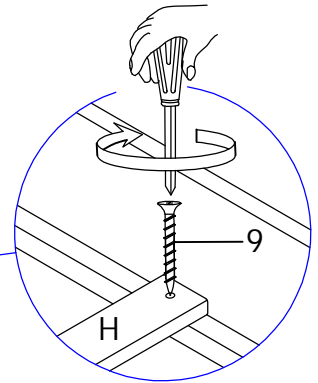


Leveler



STEP 9.2

Assemble slats (H) on to side rails (C) with hardware 9.



STEP 10

Completed

