



Assembly Instructions




B1808-070T: PALAZZO MARINA CHEST
 B1808-070B: PALAZZO MARINA CHEST

Thank you for purchasing this quality product. Be sure to check all packing materials carefully for small parts, which may have come loose inside the carton during shipment. Identify and count all items and compare with the PARTS LIST and/or HARDWARE LIST shown below.

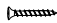
CAUTION: Please read the instructions thoroughly before assembly.

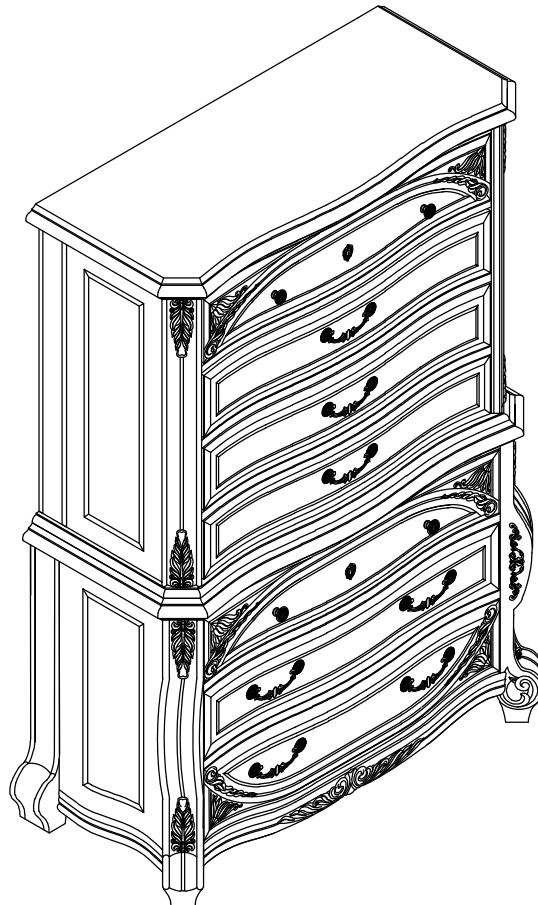
1. We recommend that you assemble this product with the assistance of another person; this will make the assembly easier, and will help eliminate damage to the product or injury to persons during assembly.
2. Please do not over tighten screws or bolts until the assembly is completed.
3. Please put all parts on a non-abrasive floor before assembly, and follow the assembly steps to assemble your newly purchased product correctly and efficiently.

PARTS LIST

NO:	COMPONENT	SKETCH	Q'TY
A	TOP CHEST		1PC
B	BOTTOM CHEST		1PC
C	ANTI -TIPPING KIT		2SET

HARDWARE LIST

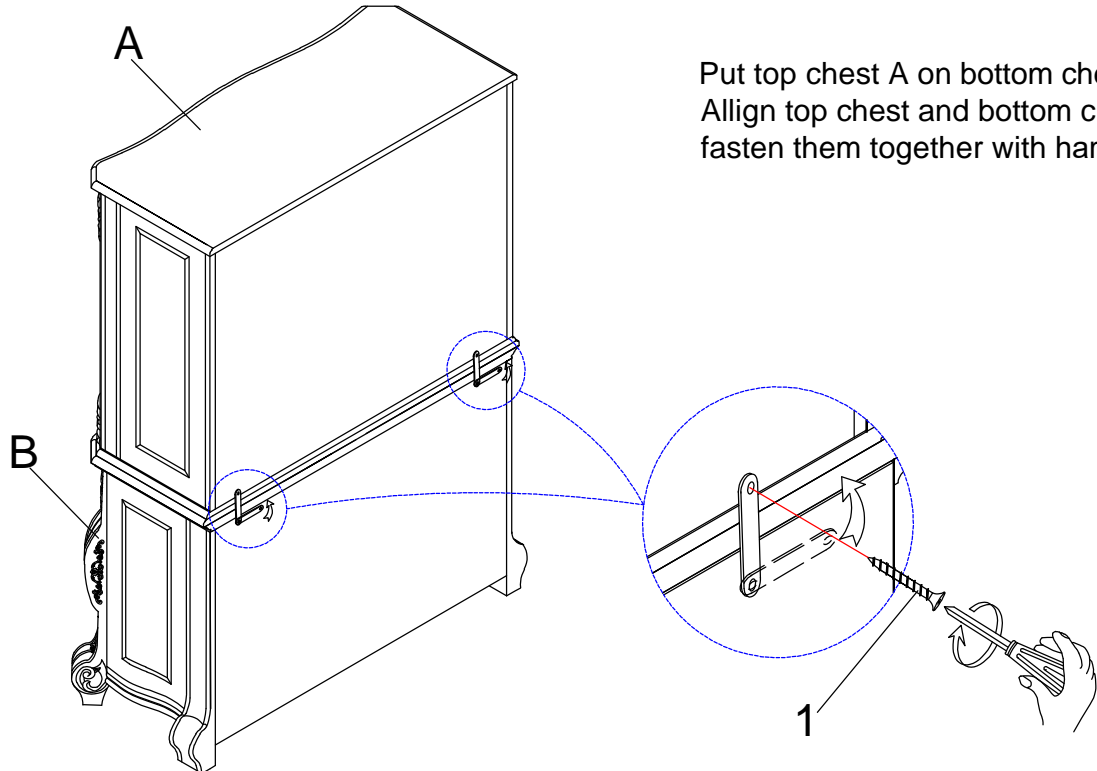
NO:	COMPONENT	SKETCH	Q'TY
1	SCREW #4x15mm		2PCS



Assembly Instructions

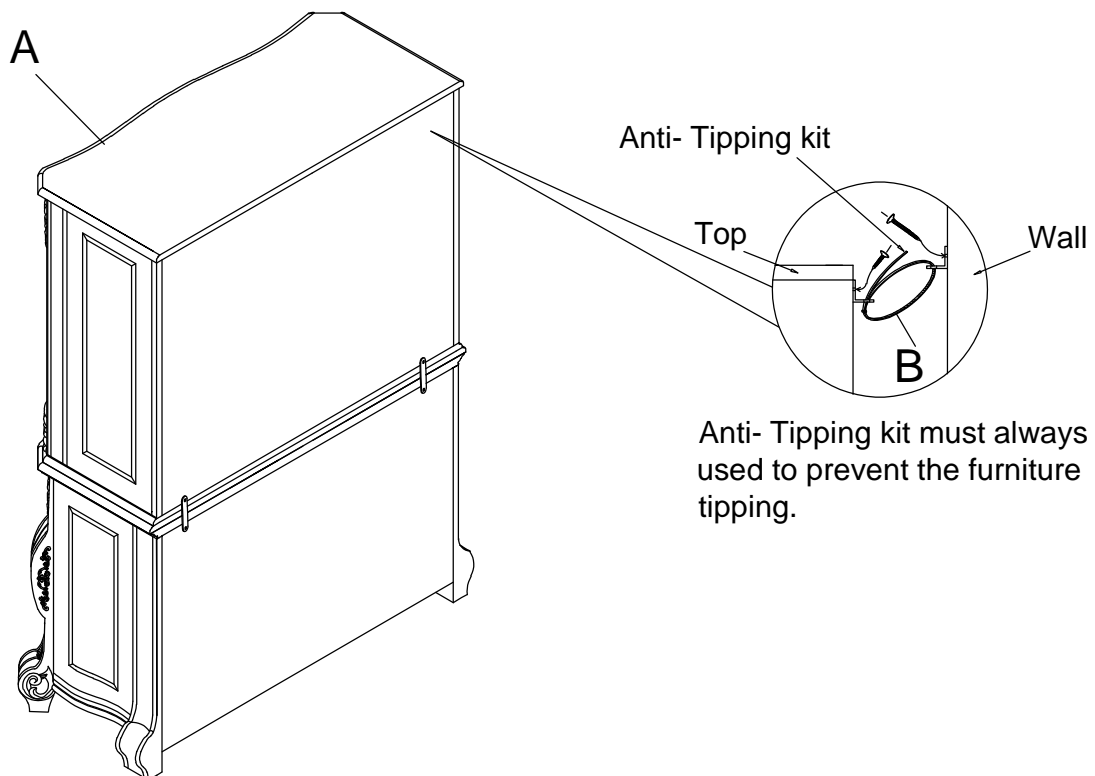
B1808-070T: PALAZZO MARINA CHEST
B1808-070B: PALAZZO MARINA CHEST

STEP 1



Put top chest A on bottom chest B.
Align top chest and bottom chest then
fasten them together with hardware 1.

STEP 2



Anti-Tipping kit must always be
used to prevent the furniture from
tipping.