

Assembly Instructions

B1808-060: PALAZZO MARINA DRESSER/ SERVER MIRROR

B1808-050: PALAZZO MARINA DRESSER

B1808-040: PALAZZO MARINA SERVER

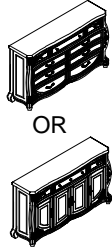


***This mirror has been designed to be on the dresser or the server.**

Thank you for purchasing this quality product. Be sure to check all packing materials carefully for small parts, which may have come loose inside the carton during shipment. Identify and count all items and compare with the PARTS LIST and/or HARDWARE LIST shown below.





CAUTION: Please read the instructions thoroughly before assembly.

1. We recommend that you assemble this product with the assistance of another person; this will make the assembly easier, and will help eliminate damage to the product or injury to persons during assembly.
2. Please do not over tighten screws or bolts until the assembly is completed.
3. Please put all parts on a non-abrasive floor before assembly, and follow the assembly steps to assemble your newly purchased product correctly and efficiently.

PARTS LIST

NO:	COMPONENT	SKETCH	Q'TY
A	DRESSER W/ MARBLE TOP OR SERVER		1PC
B	MIRROR		1PC
C	MIRROR SUPPORT ROD		2PCS

HARDWARE LIST

NO:	COMPONENT	SKETCH	Q'TY
1	BOLT $\Phi 1/4" \times 1-1/2"$ L		8PC
2	LOCK WASHER $\Phi 1/4"$		8PC
3	FLAT WASHER $\Phi 1/4"$		8PC
4	ALLEN KEY 1/6"		1PC

STEP 1.

Assemble support rods (C) onto dresser or server (A) first using Allen Key (4) with hardware 1, 2, and 3.

STEP 2.

Assemble support rods (C) with mirror (B) using Allen Key (4) with hardware 1, 2, and 3.

