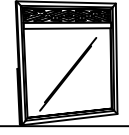
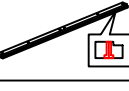



# ASSEMBLY INSTRUCTIONS


## B1655-060 OBSIDIAN MIRROR

Thank you for purchasing this quality product. Be sure to check all packing materials carefully for small parts, which may have come loose inside the carton during shipment. Identify and count all items and compare with the parts list and/or hardware list shown.

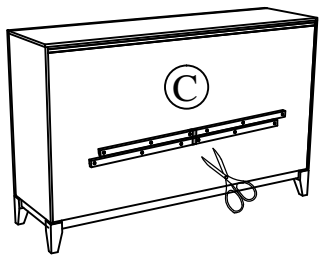
### PARTS LIST

NO	COMPONENT	DRAWING	QTY
A	Mirror		1 pc
B	Mirror Support (Attached at back of Dresser)		2 pcs
C	Dresser		1 pc

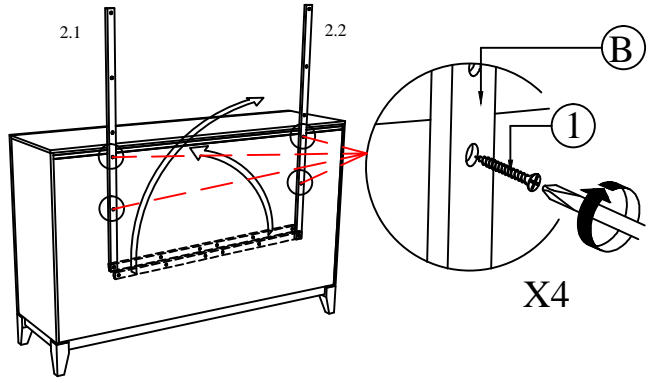
### HARDWARE LIST

NO	COMPONENT	DRAWING	QTY
1	Flat Head Chipboard Screw M4 x 1 2/8" Rbw		10 pcs

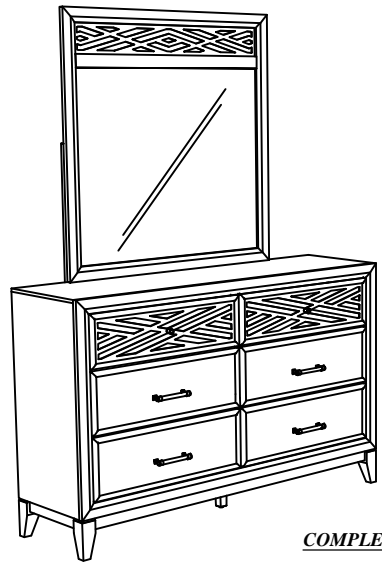
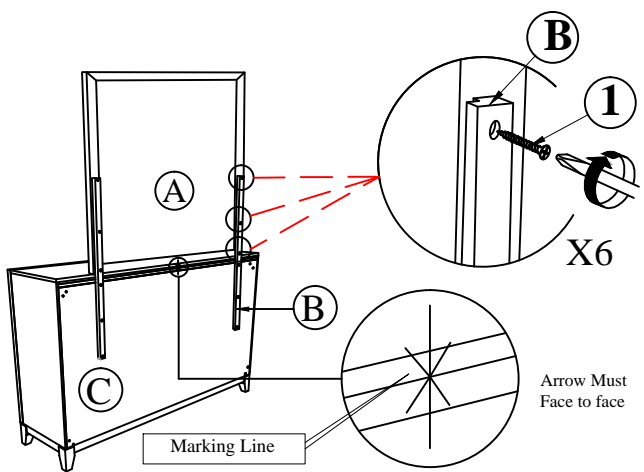
**STEP 1 :** Cut off the raffia string from the back of Dresser (B)



**STEP 2 :** Turn the Mirror Support Rail (B) upward at the back of Dresser (C), then tighten with CSK Screw (1).



**STEP 3 :** Place The Mirror (A) on the Dresser (B) by follow the marking line provided and tighten with CSk Screw (1) as shown.



**COMPLETED ASSEMBLY**

NOTE : MUST TIGHTEN SCREWS PERIODCALLY WITH USE SCREW WILL BECOME LOOSE CHECK TIGHTNESS OF ALL SCREW EVERY 6-8 WEEKS.