



# Assembly Instructions

B1583-110 STARDUST 6/6-6/0 K HEADBOARD

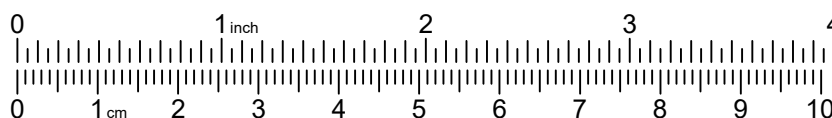
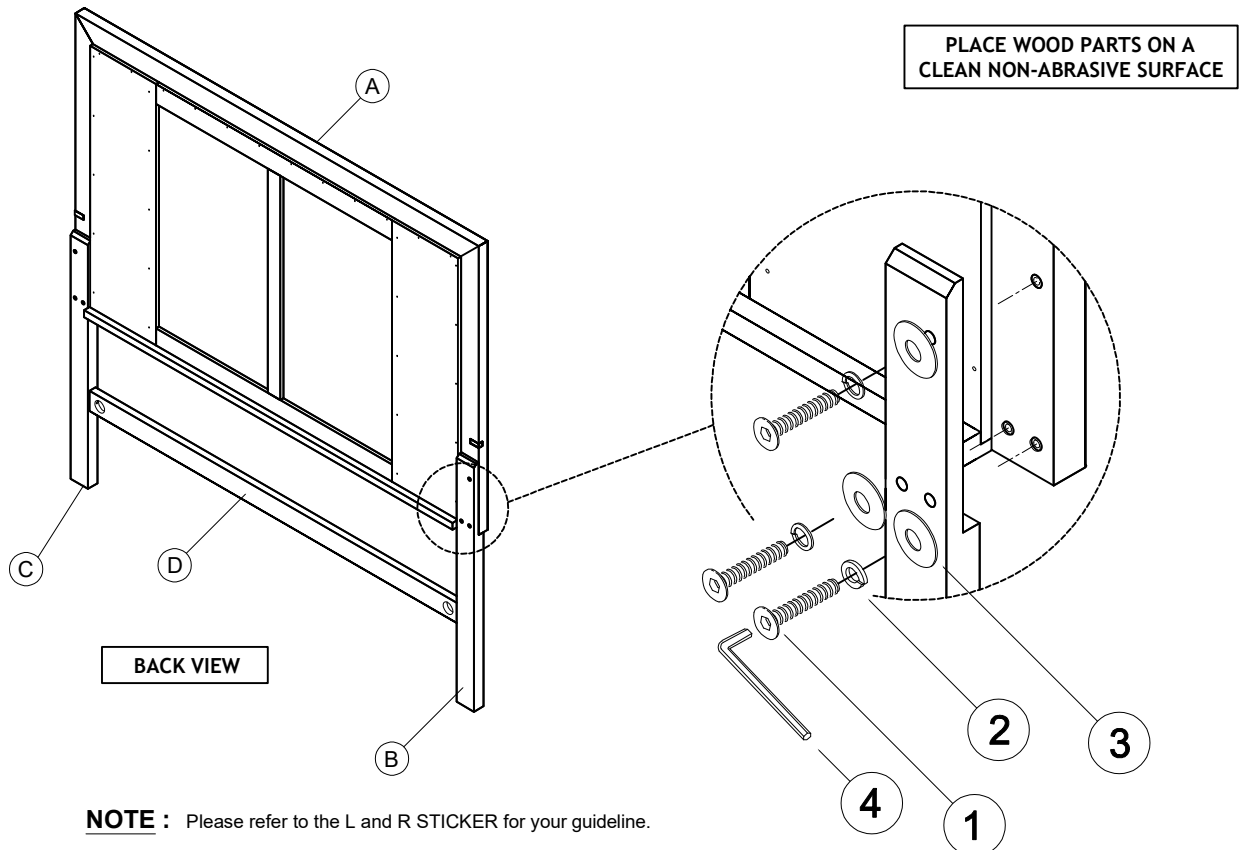
B1583-310 STARDUST 5/0 Q HEADBOARD

Thank you for purchasing this quality product. Be sure to check all packing materials carefully for small parts, which may have come loose inside the carton during shipment. Identify and count all items and compare with the parts list and hardware list shown below.

PARTS LIST			
NO	DESCRIPTION	SKETCH	QTY
A	HEADBOARD		1 PC
B	LEFT SIDE FACING (LSF) LEG		1 PC
C	RIGHT SIDE FACING (RSF) LEG		1 PC
D	HEADBOARD CROSSBAR		1 PC

HARDWARE LIST			
NO	DESCRIPTION	SKETCH	QTY
1	JCBB BOLT - M8 x 1 3/8"		6 PCS
2	SPRING WASHER - M8		6 PCS
3	FLAT WASHER - M8		6 PCS
4	ALLEN KEY - M5		1 PC
5	JCBC BOLT - M6 x 2"		2 PCS
6	SPRING WASHER - M6		2 PCS
7	U WASHER		2 PCS
8	ALLEN KEY - M4		1 PC

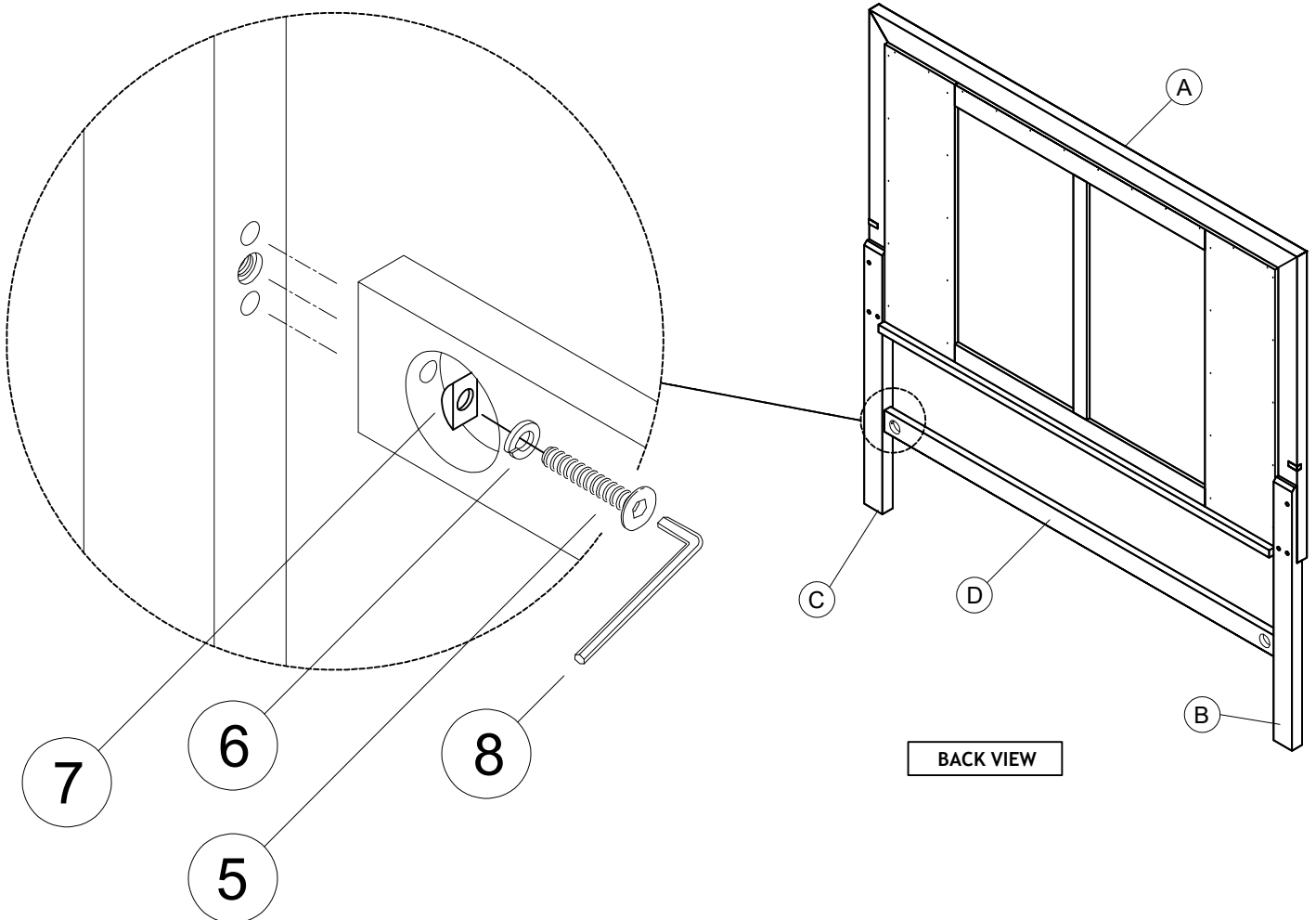
**STEP 1 :** Assemble the LSF LEG (B) and RSF LEG (C) to the HEADBOARD (A) by using the ALLEN KEY (4) with hardware (1), (2), and (3).





**STEP 2 :** Assemble the HEADBOARD CROSSBAR (D) to the LSF LEG (B) and RSF LEG (C) by using the ALLEN KEY (8) with hardware (5), (6), and (7).

PLACE WOOD PARTS ON A  
CLEAN NON-ABRASIVE SURFACE



**NOTE :** Please refer to the L and R STICKER for your guideline.

