



New
Classic®
FURNITURE

Assembly Instructions

B1583-110 STARDUST 6/6-6/0 K HEADBOARD

B1583-120 STARDUST 6/6-6/0 K FOOTBOARD & SLATS

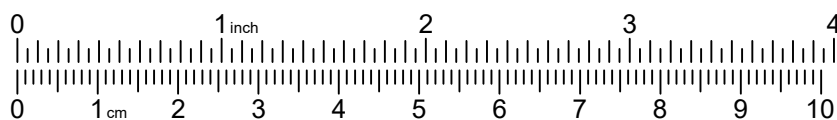
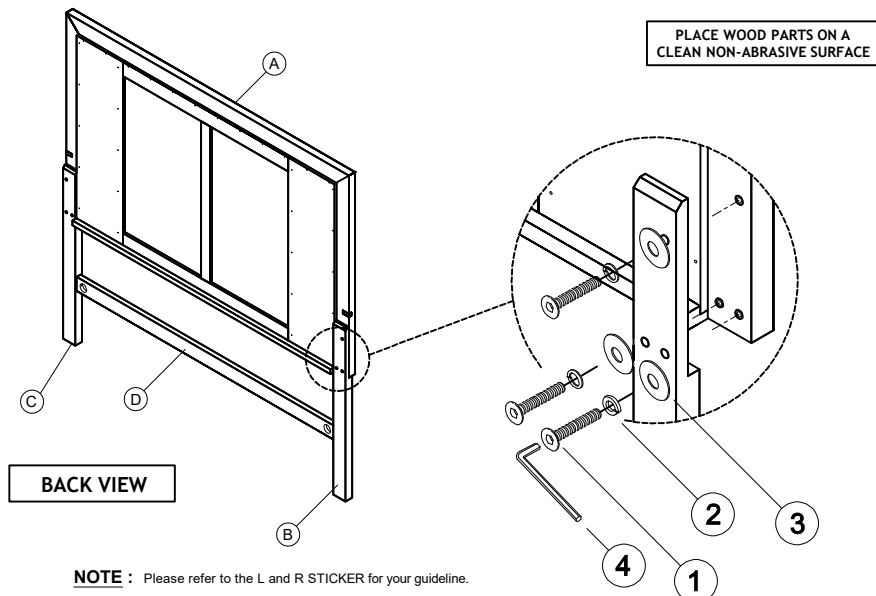
B1583-330 STARDUST SIDE RAILS

Thank you for purchasing this quality product. Be sure to check all packing materials carefully for small parts, which may have come loose inside the carton during shipment. Identify and count all items and compare with the parts list and hardware list shown below.

PARTS LIST			
NO	DESCRIPTION	SKETCH	QTY
A	HEADBOARD		1 PC
B	LEFT SIDE FACING (LSF) LEG		1 PC
C	RIGHT SIDE FACING (RSF) LEG		1 PC
D	HEADBOARD CROSSBAR		1 PC
E	FOOTBOARD		1 PC
F	SIDE RAIL		2 PCS
G	SLAT		4 PCS
H	SLAT SUPPORT		8 PCS

HARDWARE LIST			
NO	DESCRIPTION	SKETCH	QTY
1	JCBB BOLT - M8 x 1 3/8"		6 PCS
2	SPRING WASHER - M8		6 PCS
3	FLAT WASHER - M8		6 PCS
4	ALLEN KEY - M5		1 PC
5	JCBC BOLT - M6 x 2"		2 PCS
6	SPRING WASHER - M6		2 PCS
7	U WASHER		2 PCS
8	ALLEN KEY - M4		1 PC
9	JCBC BOLT - M6 x 1 1/2"		8 PCS
10	SPRING WASHER - M6		8 PCS
11	CSK SCREW - M4 x 1 1/4"		8 PCS
12	ALLEN KEY - M4		1 PC

STEP 1 : Assemble the LSF LEG (B) and RSF LEG (C) to the HEADBOARD (A) by using the ALLEN KEY (4) with hardware (1), (2), and (3).





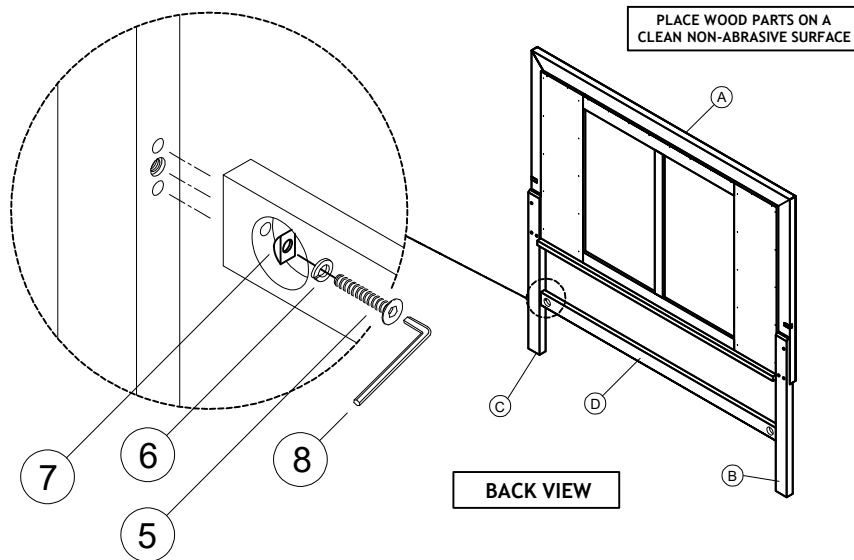
Assembly Instructions

B1583-110 STARDUST 6/6-6/0 K HEADBOARD

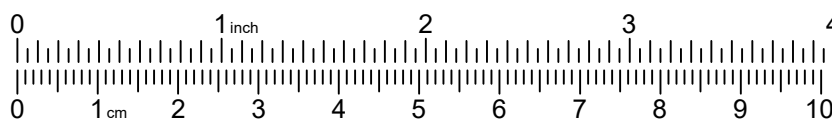
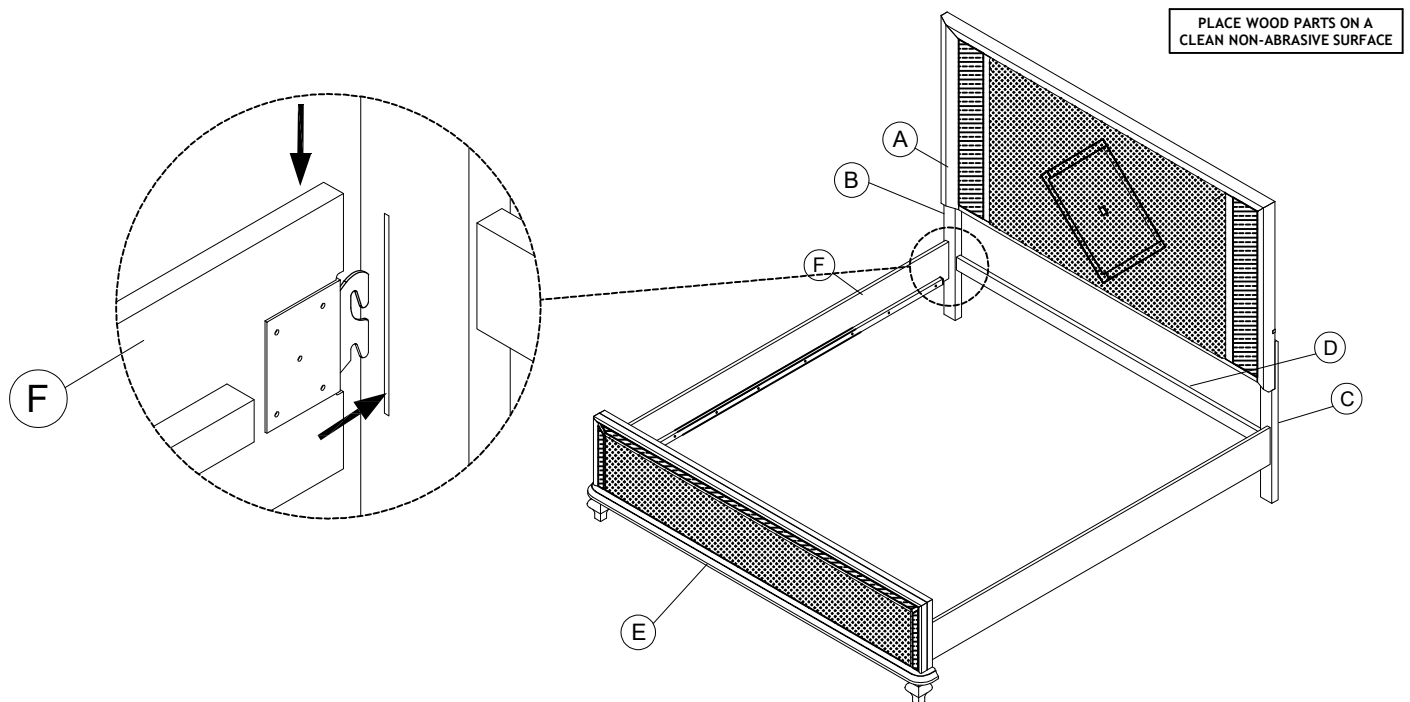
B1583-120 STARDUST 6/6-6/0 K FOOTBOARD & SLATS

B1583-330 STARDUST SIDE RAILS

STEP 2 : Assemble the HEADBOARD CROSSBAR (D) to the LSF LEG (B) and RSF LEG (C) by using the ALLEN KEY (8) with hardware (5), (6), and (7).



STEP 3 : Hook the SIDE RAIL (F) to the headboard LEGS (B & C) and FOOTBOARD (E) and push down to secure it.





Assembly Instructions

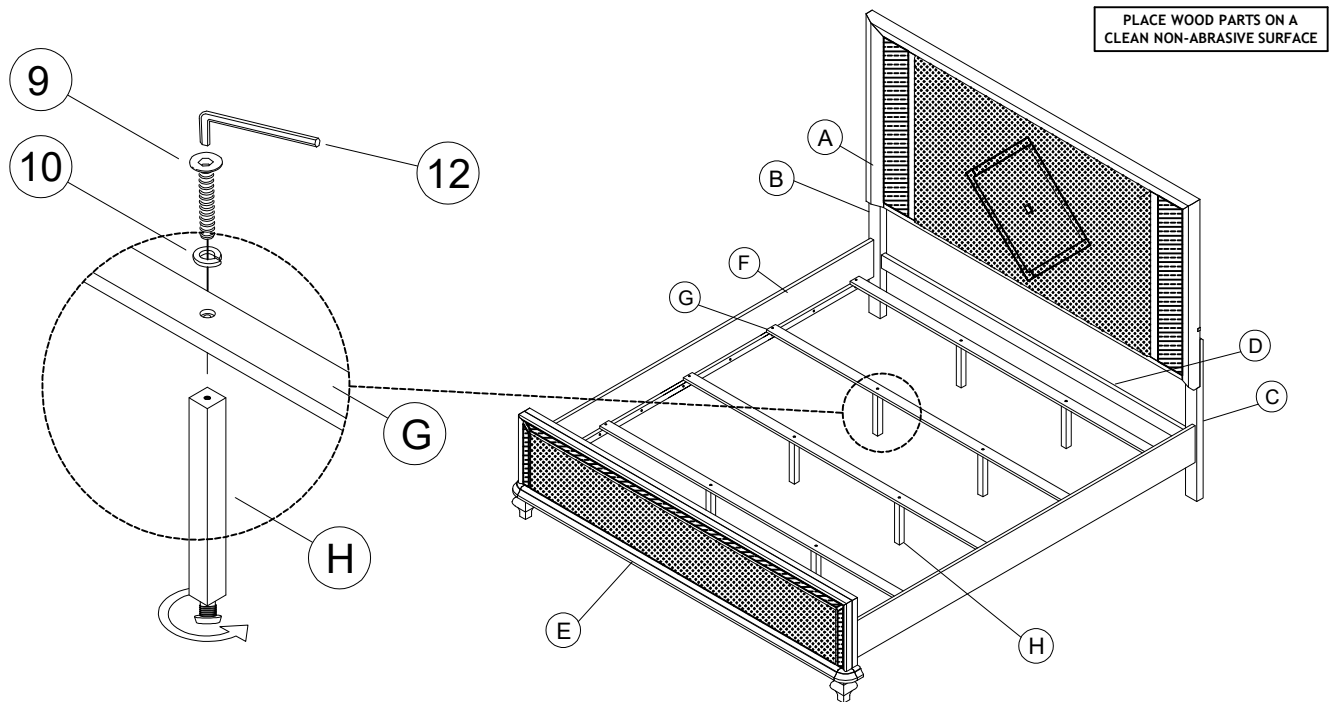
B1583-110 STARDUST 6/6-6/0 K HEADBOARD

B1583-120 STARDUST 6/6-6/0 K FOOTBOARD & SLATS

B1583-330 STARDUST SIDE RAILS

STEP 4 : Install the SLAT SUPPORT (H) to the SLAT (G) by using the ALLEN KEY (12) with hardware (9) and (10).

Adjust the height of the leveler on the slat support (H) for stability.



STEP 5 : Install the SLAT (G) to the SIDE RAIL (F) by using the screwdriver and CSK SCREW (11).

