

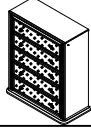
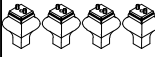





New
Classic®
FURNITURE

Assembly Instructions

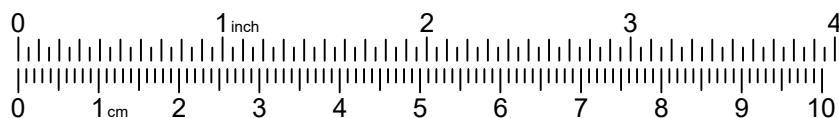
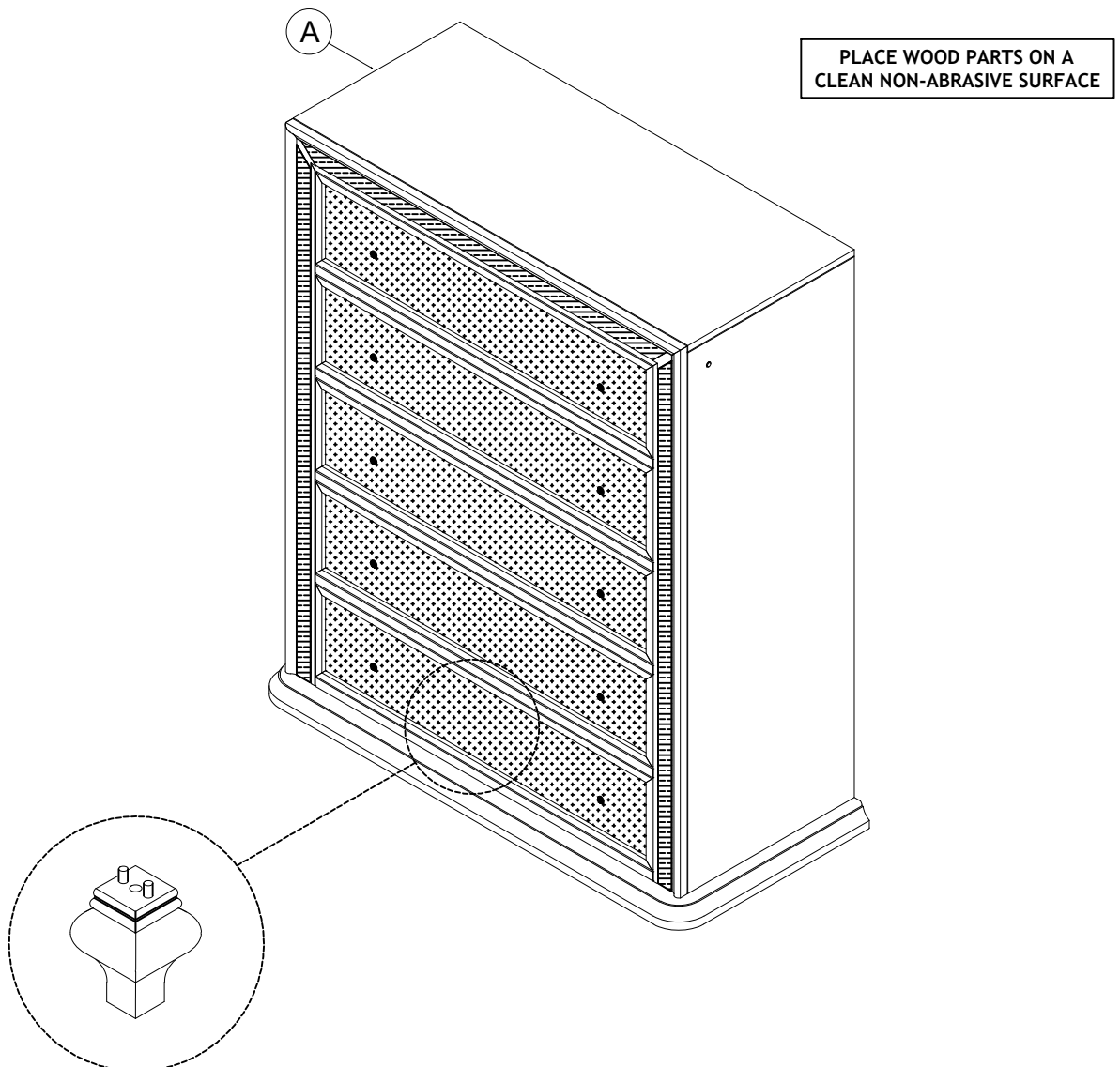
B1583-070 STARDUST CHEST

Thank you for purchasing this quality product. Be sure to check all packing materials carefully for small parts, which may have come loose inside the carton during shipment. Identify and count all items and compare with the parts list and hardware list shown below.

PARTS LIST			
NO	DESCRIPTION	SKETCH	QTY
A	CHEST		1 PC
B	LEG		4 PCS

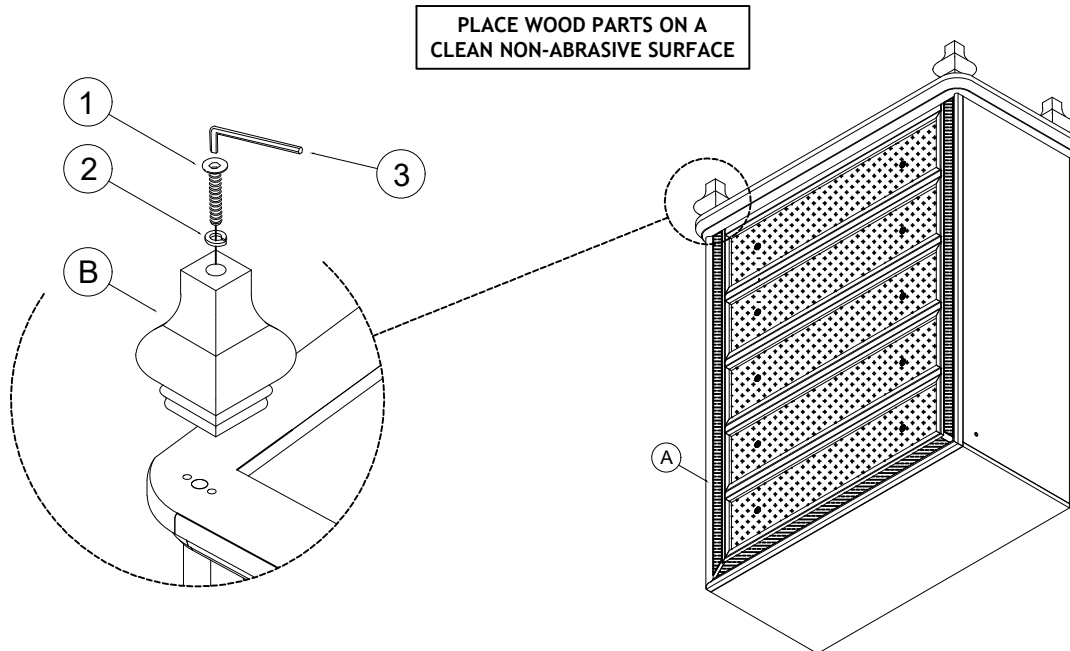
HARDWARE LIST			
NO	DESCRIPTION	SKETCH	QTY
1	JCBC BOLT - M6 x 3 1/8"		4 PCS
2	SPRING WASHER - M6		4 PCS
3	ALLEN KEY - M4 x 4 3/8"		1 PC

STEP 1 : Locate the LEG (B) pack in the lowest drawer.





STEP 2 : Install the LEG (B) by using the ALLEN KEY (3) with hardware (1) and (2)



STEP 3 : Remove the drawer handle from the inside of the drawer. Align the nail stopper on the handle in the top position and hold the handle in this position against the outside drawer front then tighten the handle in place.

