

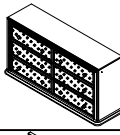








Assembly Instructions

B1583-050 STARDUST DRESSER

B1583-060 STARDUST MIRROR

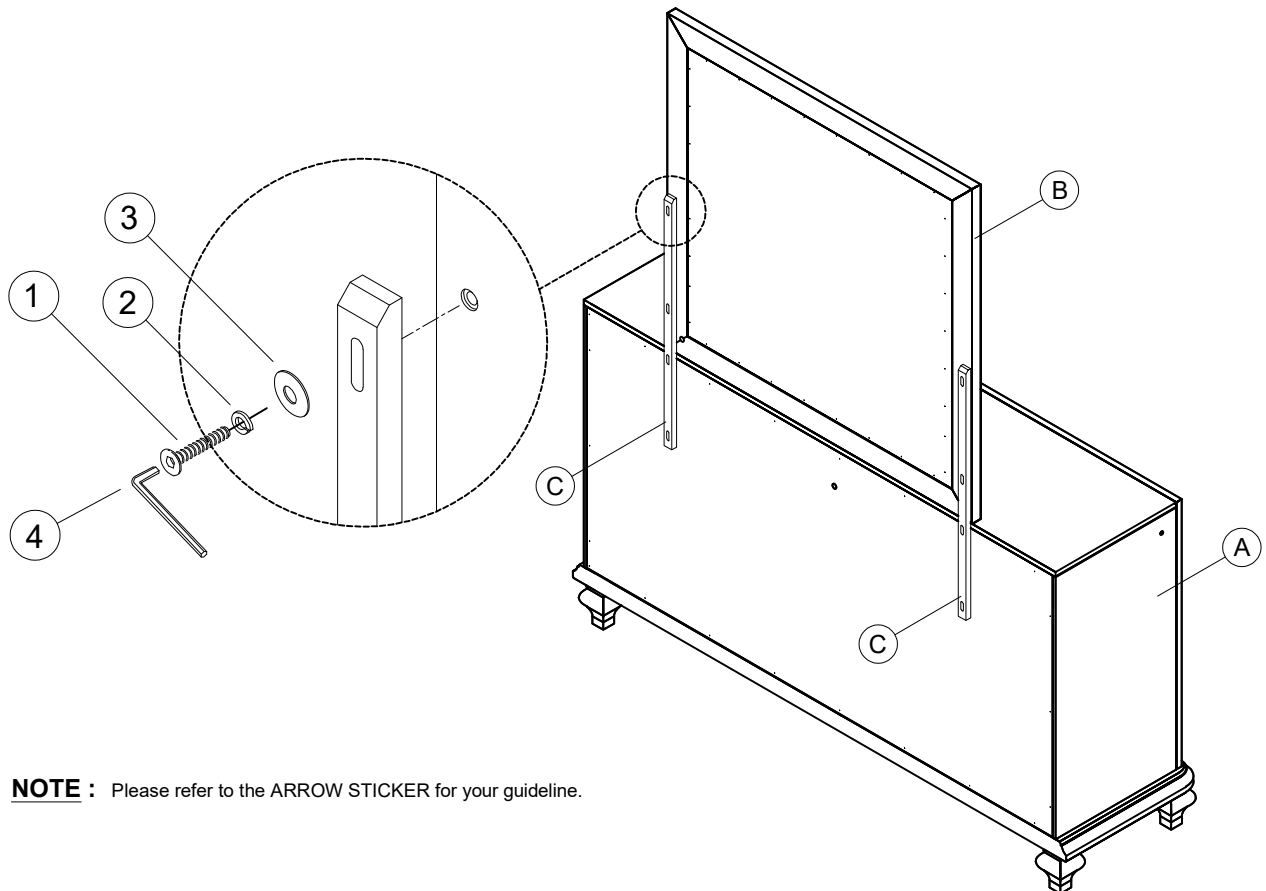
Thank you for purchasing this quality product. Be sure to check all packing materials carefully for small parts, which may have come loose inside the carton during shipment. Identify and count all items and compare with the parts list and hardware list shown below.

PARTS LIST			
NO	DESCRIPTION	SKETCH	QTY
A	DRESSER		1 PC
B	MIRROR		1 PC
C	MIRROR SUPPORT		2 PCS

HARDWARE LIST			
NO	DESCRIPTION	SKETCH	QTY
1	JCBC BOLT - M6 x 1 3/8"		8 PCS
2	SPRING WASHER - M6		8 PCS
3	FLAT WASHER - M6		8 PCS
4	ALLEN KEY - M4		1 PC

PLACE WOOD PARTS ON A
CLEAN NON-ABRASIVE SURFACE

STEP 1 : Install the MIRROR SUPPORT (C) to the MIRROR (B) and DRESSER (A) by using the ALLEN KEY (4) with hardware (1), (2) and (3).



NOTE : Please refer to the ARROW STICKER for your guideline.

