

ASSEMBLY INSTRUCTIONS
B1334-110, B1334-120, B1334-230
BLUE RIDGE CALIFORNIA KING BED

Thank you for purchasing this quality product. Be sure to check all packing materials carefully for small parts, which may have come loose inside the carton during shipment. Identify and count all items and compare with the parts list and / or hardware list as shown below.

MODEL : B1334-110/120/230
CALIFORNIA KING BED

(B1334-110)

BOX OF HEADBOARD

NO	ITEM	QTY
A	Headboard	1
B	Headboard Leg (L&R) Nail Leg	2

(B1334-120)

BOX OF FOOTBOARD

NO	ITEM	QTY
C	Footboard	1
D	Slat	4
E	Slat support	8

(B1334-230)

BOX OF SIDE RAIL

NO	ITEM	QTY
F	Side Rail	2

(B1334-110)

HARDWARE LIST

NO	ITEM	QTY
1	JCBC BOLT M6 x 40MM	4 PCS
2	JCBC BOLT M6 x 80MM	2 PCS
3	SPRING WASHER 1/4" RBW	4 PCS
4	FLAT WASHER 1/4" ID x 19mmOD BLK	4 PCS
5	WOOD DOWEL 10mmx30mm	2 PCS
6	ALLEN KEY M4 x 110MM	1 PCS

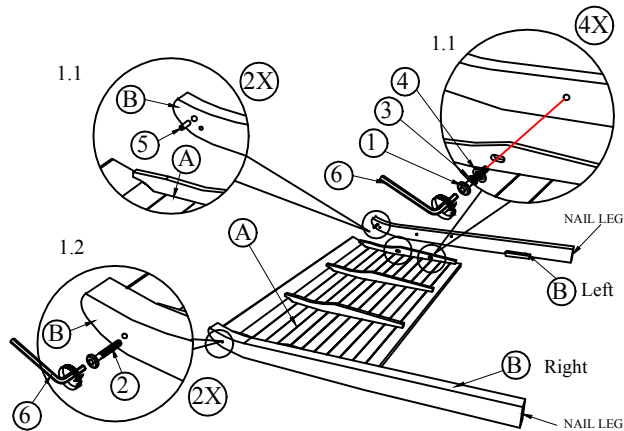
(B1334-120)

HARDWARE LIST

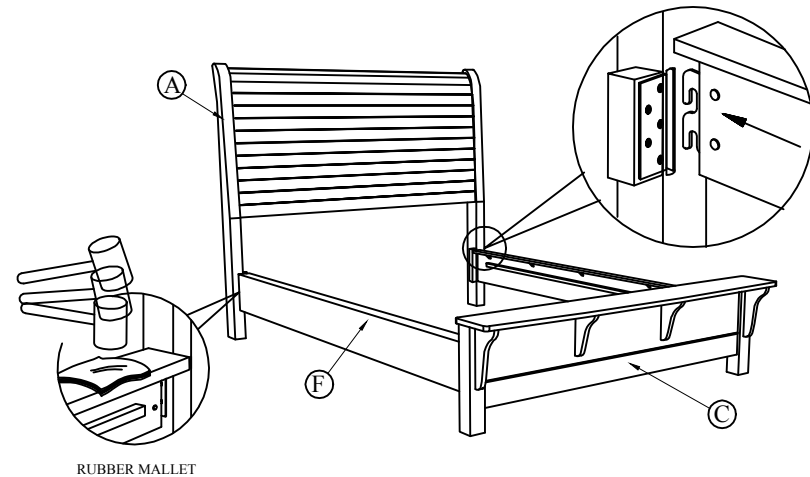
NO	ITEM	QTY
7	5005 2 Hole L Bracket 18mmx20mmx1.2mm Blk	8 PCS
8	Pan Head Chipboard Screw m3.5x16mm Blk	16 PCS

STEP 1-1: Insert DOWELS (5) into HEADBOARD (A), as shown, and slide HB PANEL (A) to HB LEG (B). Tighten with JCBC BOLT (1), SPRING WASHER (3) & FLAT WASHER (4), using ALLEN KEY (6), as shown.

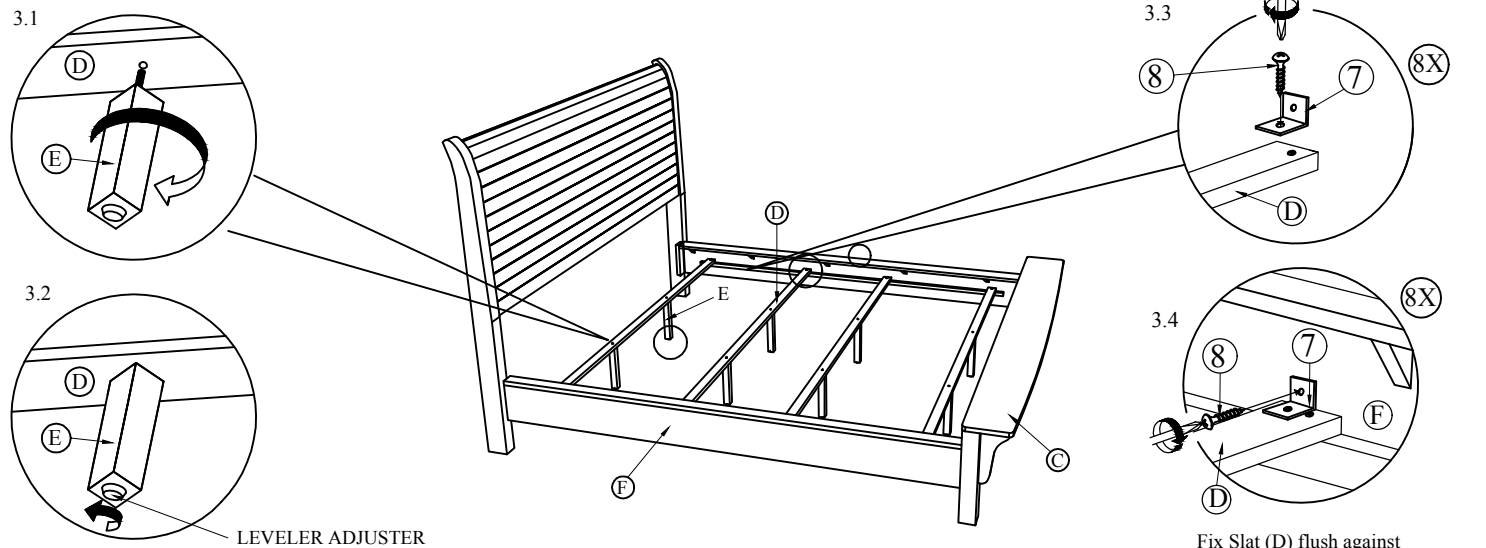
STEP 1-2: Screw JCBC BOLT (2) into pre-drilled hole on headboard leg (B) and tighten, using ALLEN KEY (6) as shown.



STEP 2 : Hook SIDE RAIL (F) TO HEAD BOARD (A) closely and push down to fit. repeat step 2 with other end of rail to hook onto FOOTBOARD (C).



STEP 3 : Fix the Bed Slats Support (E) to Bed Slats (D) as Shown and fix the Bed Slats to Side Rail (F) by using L bracket (7) and Pan Head Chipboard Screw (8). Loosen or Tighten the Adjuster as necessary to level the bed. Bed assembly should be done in final location to ensure stability.



Fix Slat (D) flush against Side Rail (F) using screw driver & Pan Head Screw screw (9).