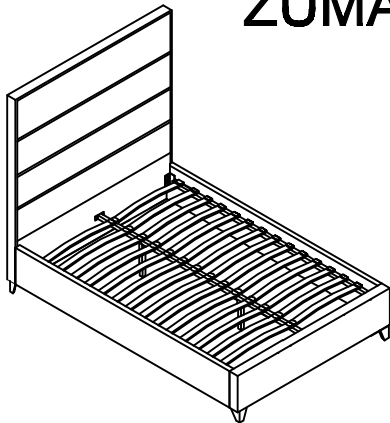


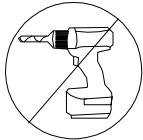
# ASSEMBLY INSTRUCTIONS

## ZUMA BED - FULL

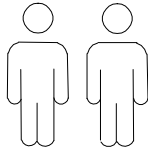
**meridian.**  
furniture



**+ Do Not Use Power Tools**



**+ Suggested Adults**



**NOTE:** For questions about parts or assembly please email [support@meridianfurnitureusa.com](mailto:support@meridianfurnitureusa.com) or call us at 718-758-4455.

- 1 Read instructions cover to cover.
- 2 Save all packaging until assembly is completed.

### 1 IMPORTANT SAFETY INFORMATION

Do not assemble the product if any of the following parts arrived damaged:

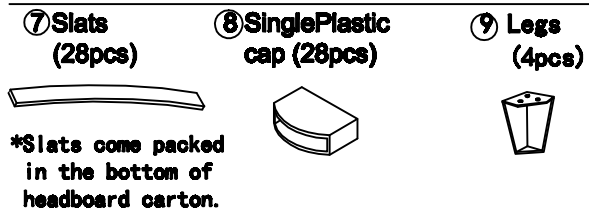
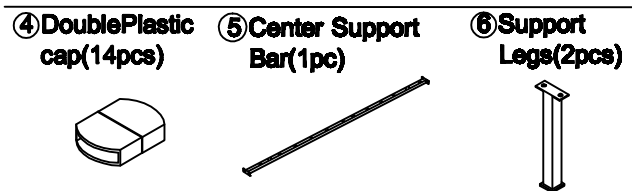
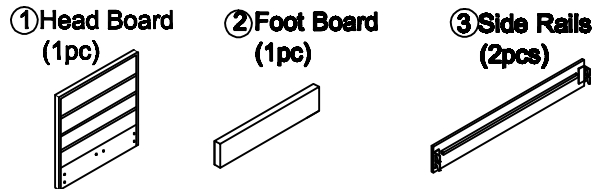
- Part #③ -Side Rails
- Part #⑤ -Center Support Bar
- Part #⑥ -Support Legs
- Part #⑦ -Slats

### 2 IMPORTANT ASSEMBLY INFORMATION

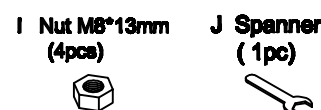
**Assembly Step ③** Ensure the side rail bracket is fully hooked onto bolt A loosely threaded with both washers on the OUTSIDE of the bracket first, then proceed to fully tightening all 4 corners.

**Assembly Step ④** When installing slats, ensure that the curve is facing upwards. (↖) (↘)  
\*Slats come packed in the bottom of headboard carton.

### + Parts Included

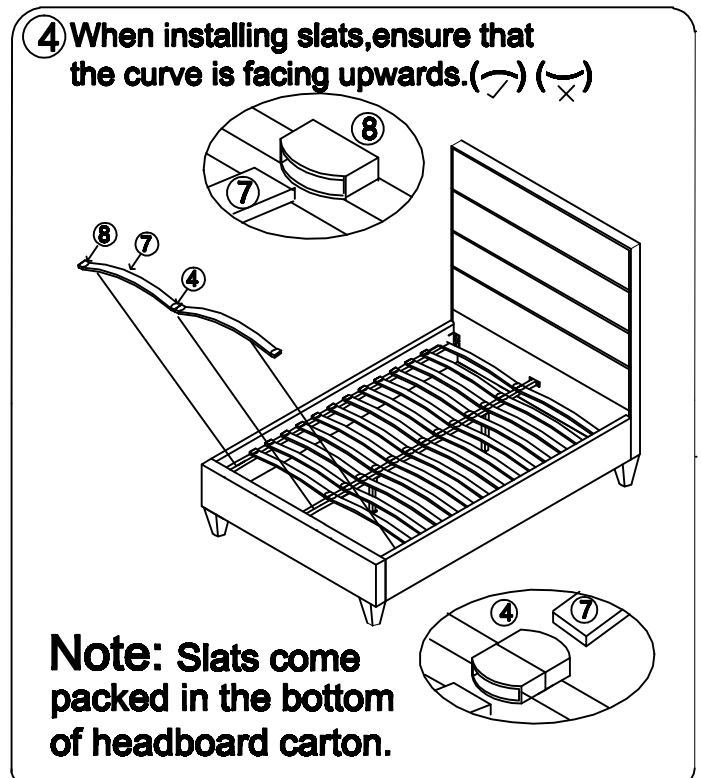
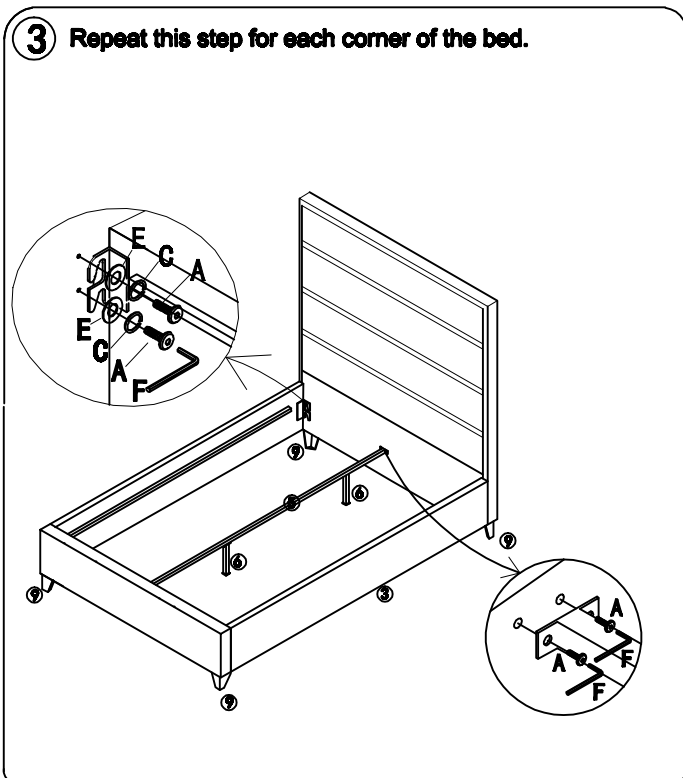
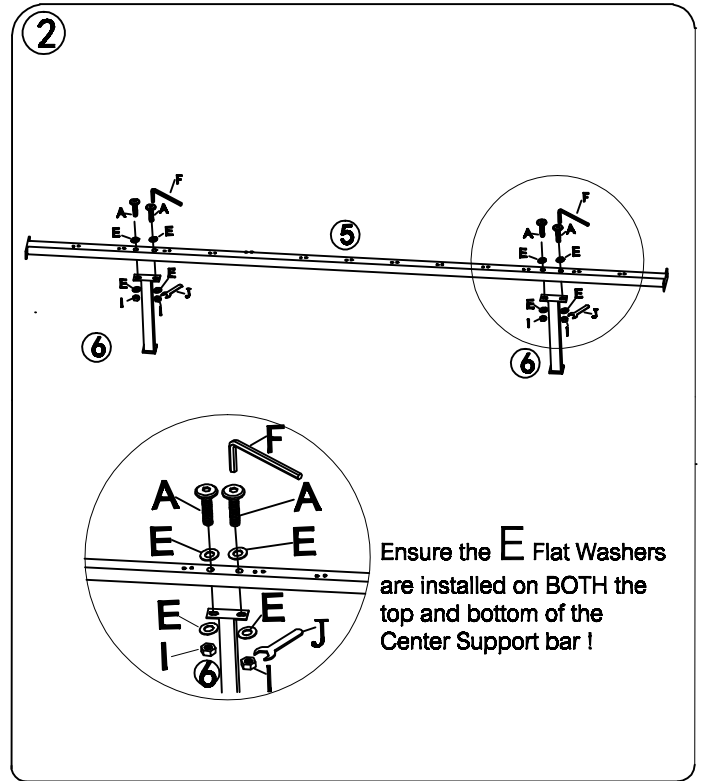
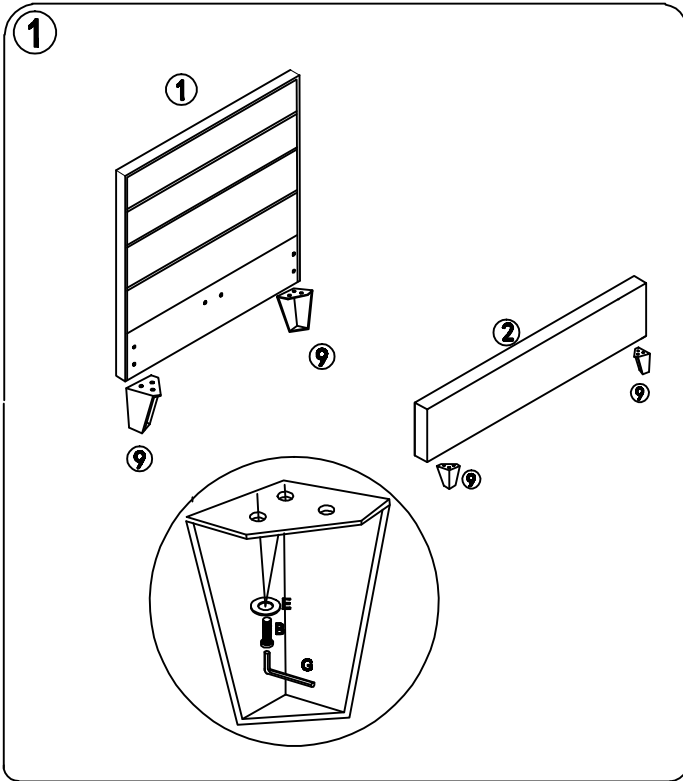


### + Hardware Included



# ASSEMBLY INSTRUCTIONS **meridian.** furniture

## ZUMA BED - FULL



**NOTE:** For questions about parts or assembly please email [support@meridianfurnitureusa.com](mailto:support@meridianfurnitureusa.com) or call us at 718-758-4455.

[www.MeridianFurnitureUSA.com](http://www.MeridianFurnitureUSA.com) | [support@meridianfurnitureusa.com](mailto:support@meridianfurnitureusa.com)