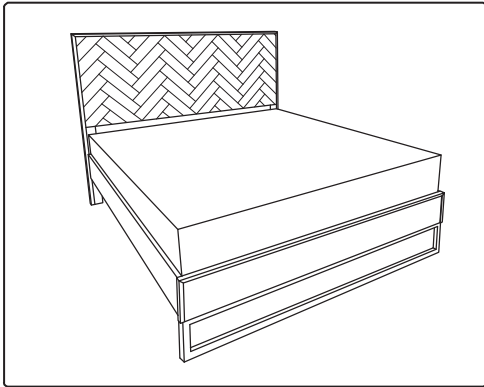


ASSEMBLY INSTRUCTIONS

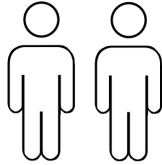
WESTON - Q (Downing Stone Colour)



+ Do Not Use Power Tools



+ Suggested Adults



NOTE: For questions about parts or assembly please email support@meridianfurnitureusa.com or call us at 718-758-4455.

- 1 Read instructions cover to cover.
- 2 Save all packaging until assembly is completed.

1 IMPORTANT SAFETY INFORMATION

Do not assemble the product if any of the following parts arrived damaged:

- Part # - Side Rails
- Part # - Center Support Bar
- Part # - Support Legs
- Part # - Slats

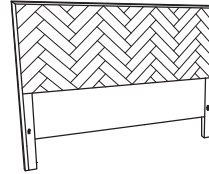
2 IMPORTANT ASSEMBLY INFORMATION

Assembly Step Ensure the side rail bracket is fully hooked onto bolt loosely threaded with both washers on the **OUTSIDE** of the bracket first, then proceed to fully tightening all 4 corners.

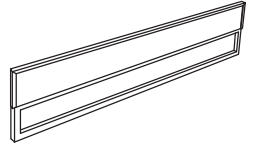
*Slats come packed in the bottom of footboard carton.

+ Parts Included

① HEADBOARD
(1 Pcs)



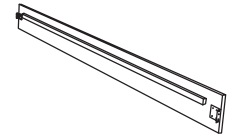
② FOOTBOARD
(1 Pcs)



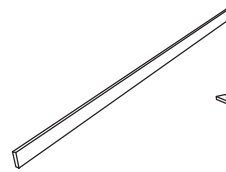
③ SIDE RAIL (left)
(1 Pcs)



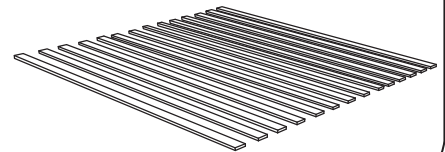
④ SIDE RAIL (right)
(1 Pcs)



⑤ CENTER SUPPORT
(1 Pcs)



⑥ BED SLAT
(14 Pcs)

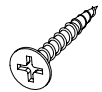


+ Hardware Included

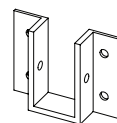
A BOLT M8 X 18MM
(8 PCS)



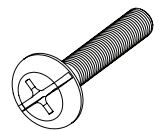
B SCREW M4 X 16MM
(8 PCS)



C U BRACKET
(2 PCS)



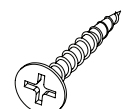
D BOLT M4 X 50MM
(2 PCS)



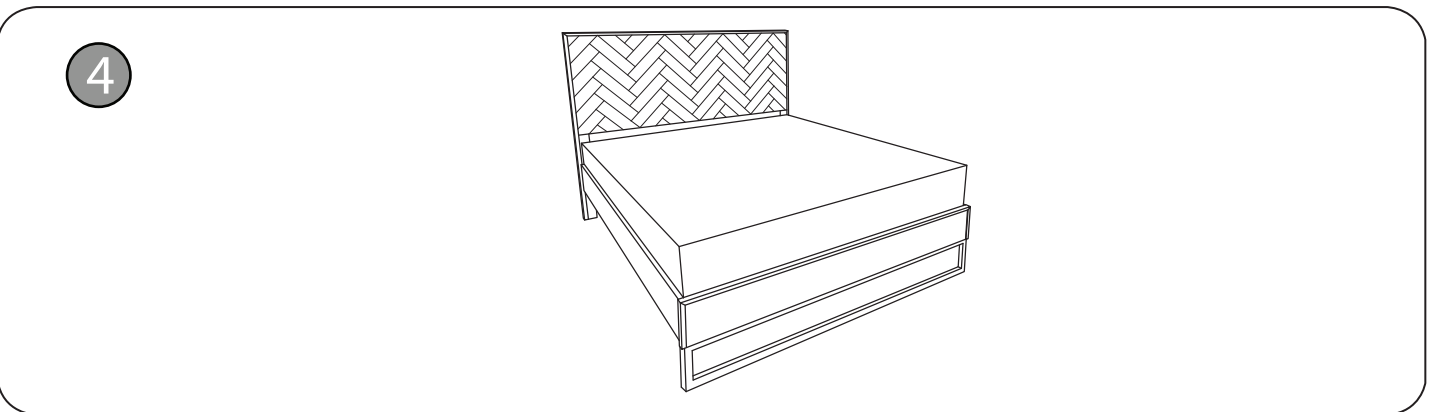
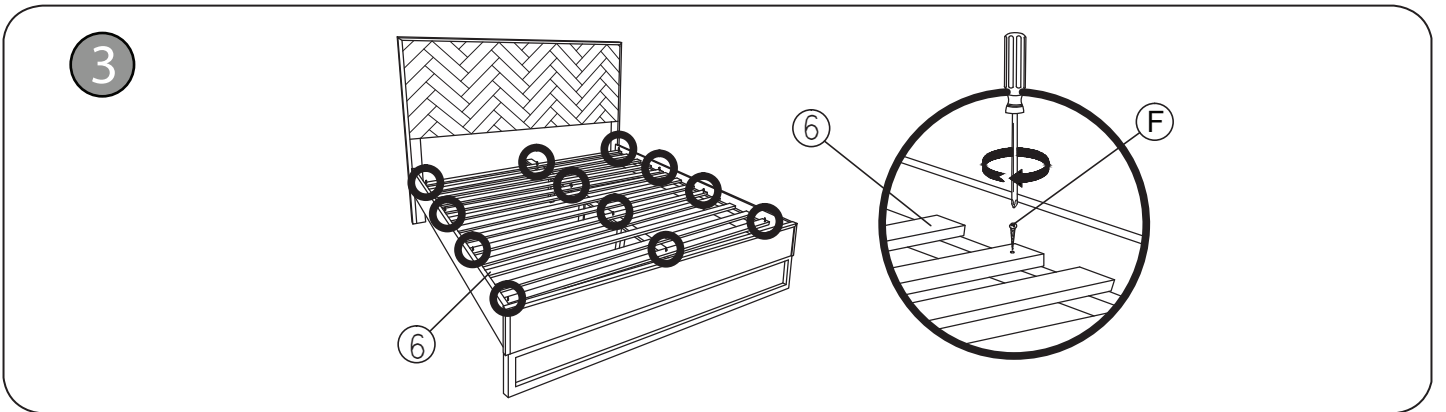
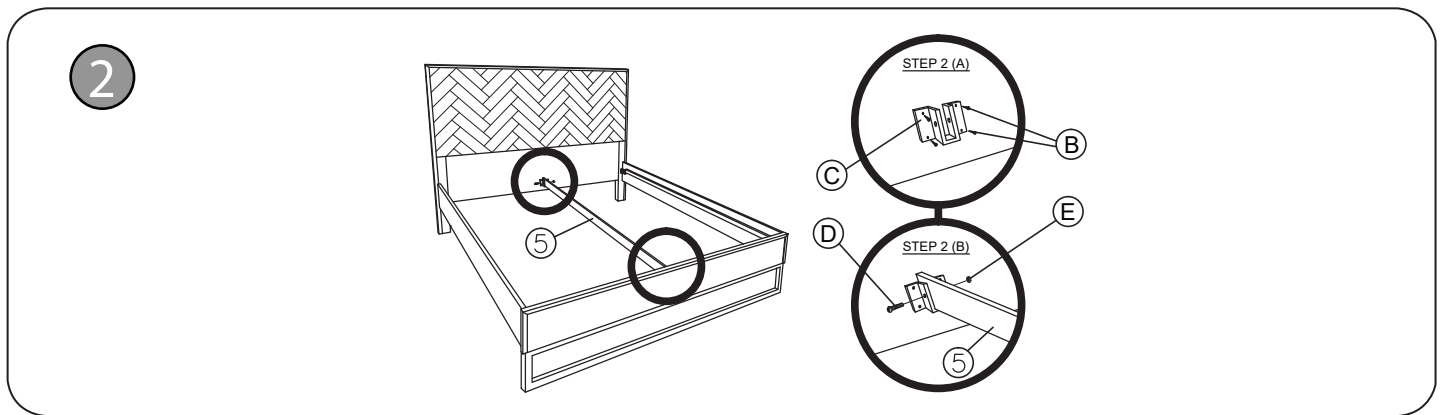
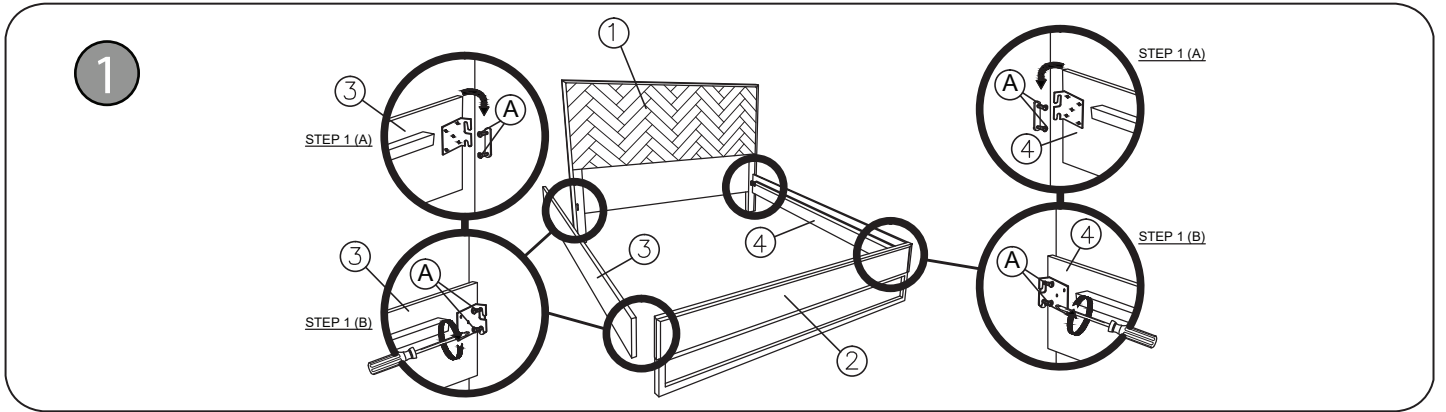
E NUT
(2 PCS)



F SCREW M4 X 38MM
(12 PCS)



ASSEMBLY INSTRUCTIONS **meridian.** WESTON - Q (Downing Stone Colour) furniture



NOTE: For questions about parts or assembly please email support@meridianfurnitureusa.com or call us at 718-758-4455.

www.MeridianFurnitureUSA.com | support@meridianfurnitureusa.com