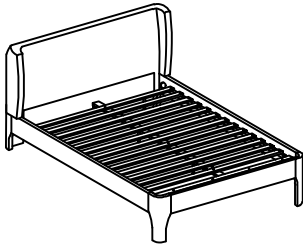


ASSEMBLY INSTRUCTION

meridian.
furniture

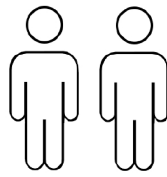
VENTURA FULL



+ Do Not Use Power Tools



+ Suggested Adults



NOTE: For questions about parts or assembly please email support@meridianfurnitureusa.com or call us at 718-758-4455.

- 1 Read instructions cover to cover.
- 2 Save all packaging until assembly is completed.

1 IMPORTANT SAFETY INFORMATION

Do not assemble the product if any of the following parts arrived damaged:

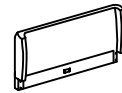
- Part # - Side Rails
- Part # - Center Support Bar
- Part # - Support Legs
- Part # - Slats

2 IMPORTANT ASSEMBLY INFORMATION

Assembly Step Ensure the side rail bracket is fully hooked onto bolt loosely threaded with both washers on the **OUTSIDE** of the bracket first, then proceed to fully tightening all 4 corners.

+ Parts Included

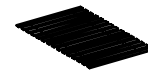
- | | | |
|--------------------------|--------------------------|---------------------------|
| ① Headboard
(1 of pc) | ② Footboard
(1 of pc) | ③ Side Rail
(2 of pcs) |
|--------------------------|--------------------------|---------------------------|



- | | | |
|-------------------------------------|-------------------------------|----------------------------|
| ④ Headboard Leg (L/R)
(2 of pcs) | ⑤ Footboard Leg
(2 of pcs) | ⑥ Center Rail
(1 of pc) |
|-------------------------------------|-------------------------------|----------------------------|

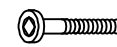


- | | | |
|-----------------------------|-----------------------------|-------------------------|
| ⑦ Support Leg
(2 of pcs) | ⑧ 13 Pcs Slat
(1 of set) | ⑨ Top Slat
(1 of pc) |
|-----------------------------|-----------------------------|-------------------------|

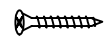


+ Hardware Included

- | | | |
|---------------------------------|---------------------------------|---------------------------------------|
| A JCBC
M6x40mm
(6 of pcs) | B JCBC
M6x50mm
(6 of pcs) | C Allen Key
M4 x 65mm
(1 of pc) |
|---------------------------------|---------------------------------|---------------------------------------|



- | | | |
|---|-------------------------------------|-----------------------------------|
| D Plastic Dowell
25mm
(12 of pcs) | E CSK
M3.5 x 16mm
(38 of pcs) | F CSK
M4 x 32mm
(33 of pcs) |
|---|-------------------------------------|-----------------------------------|



- | | | |
|--------------------------------|-----------------------------|-------------------------|
| G Spring Washer
(10 of pcs) | H Flat Washer
(4 of pcs) | I Cap Nut
(6 of pcs) |
|--------------------------------|-----------------------------|-------------------------|



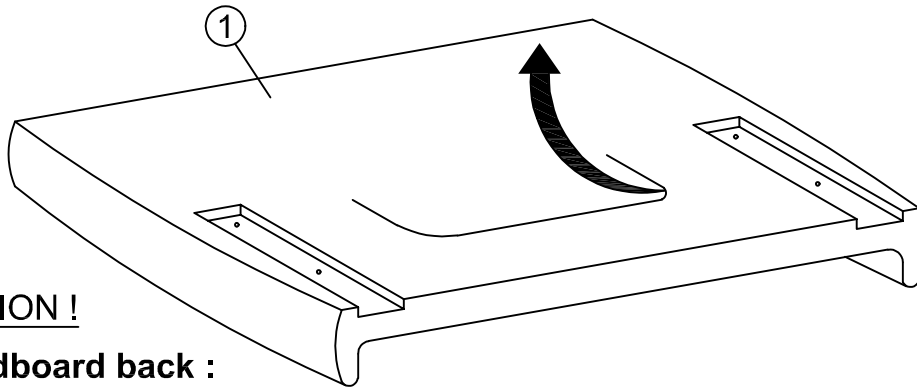
- | | |
|--------------------------|-----------------------------|
| J Adjuster
(2 of pcs) | K Metal Plate
(6 of pcs) |
|--------------------------|-----------------------------|



ASSEMBLY INSTRUCTION

VENTURA FULL

①

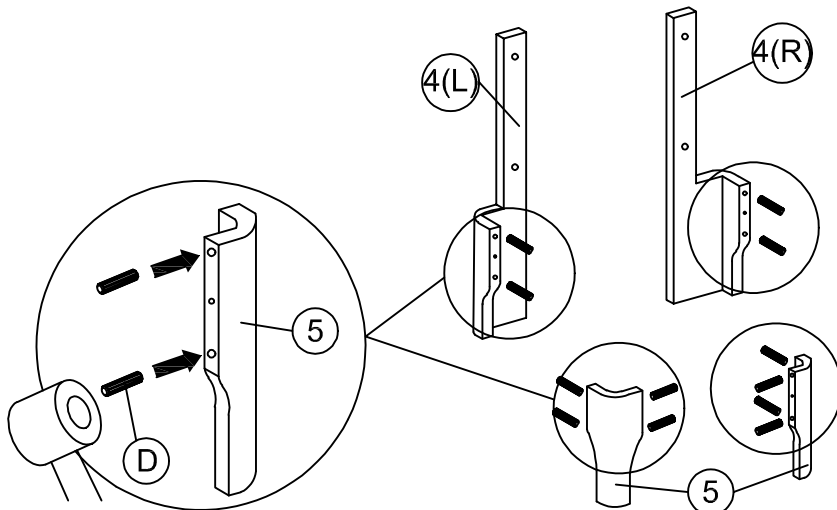


ATTENTION !

Inside Headboard back :
Headboard Leg, Footboard Leg
Support Leg, Hardware, Ai

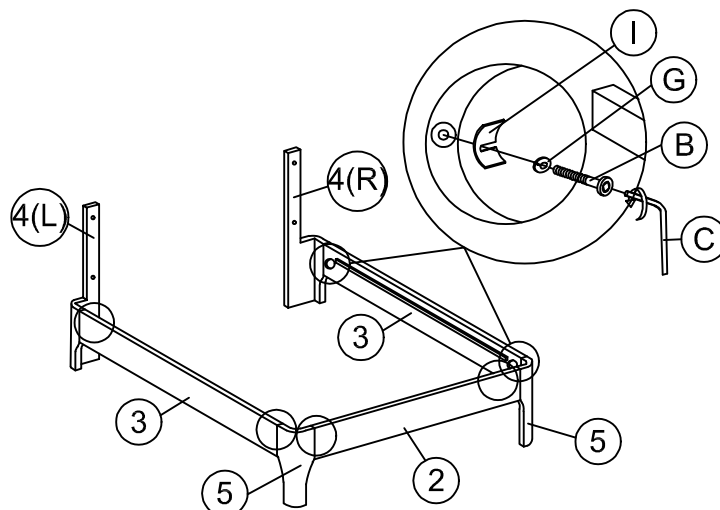
BACK VIEW

②



FRONT VIEW

③



FRONT VIEW

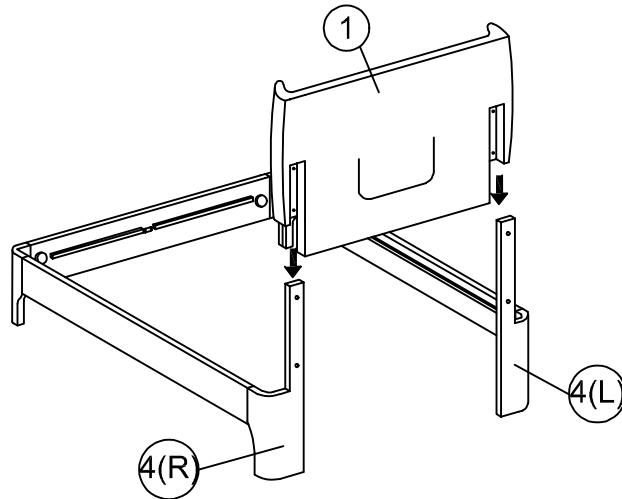
NOTE: For questions about parts or assembly please email

ASSEMBLY INSTRUCTION

meridian.
furniture

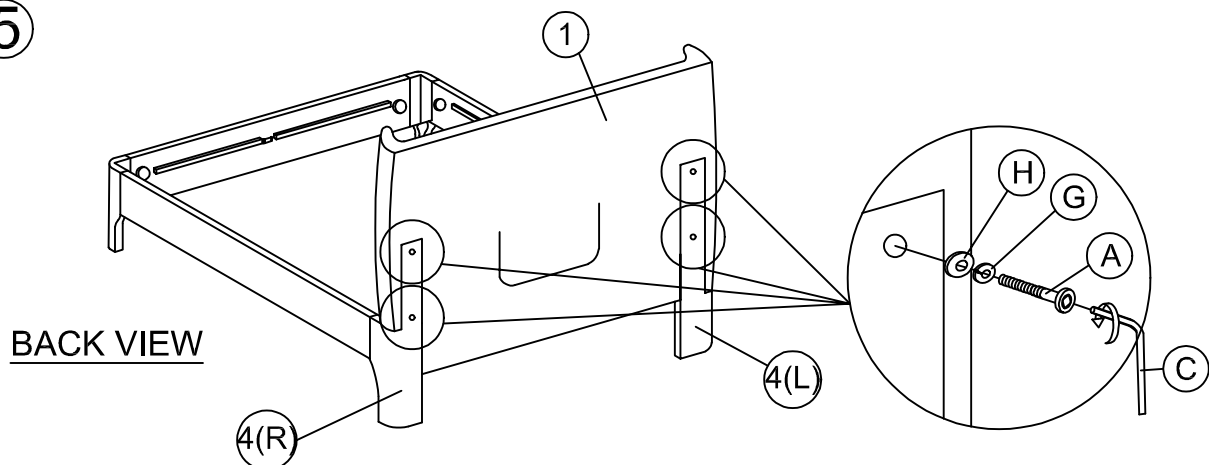
VENTURA FULL

④



BACK VIEW

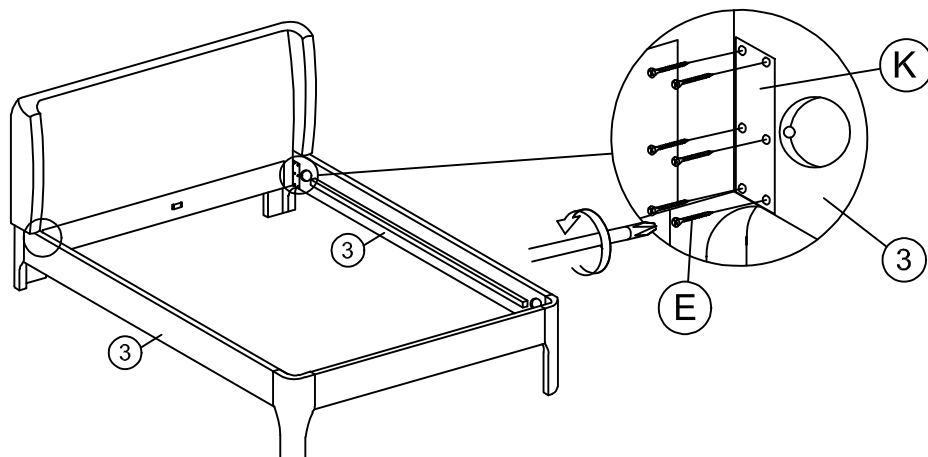
⑤



BACK VIEW

⑥

Attention : Make sure metal plate at bottom side rail and headboard bottom !



NOTE: For questions about parts or assembly please email support@meridianfurnitureusa.com or call us at 718-7584455

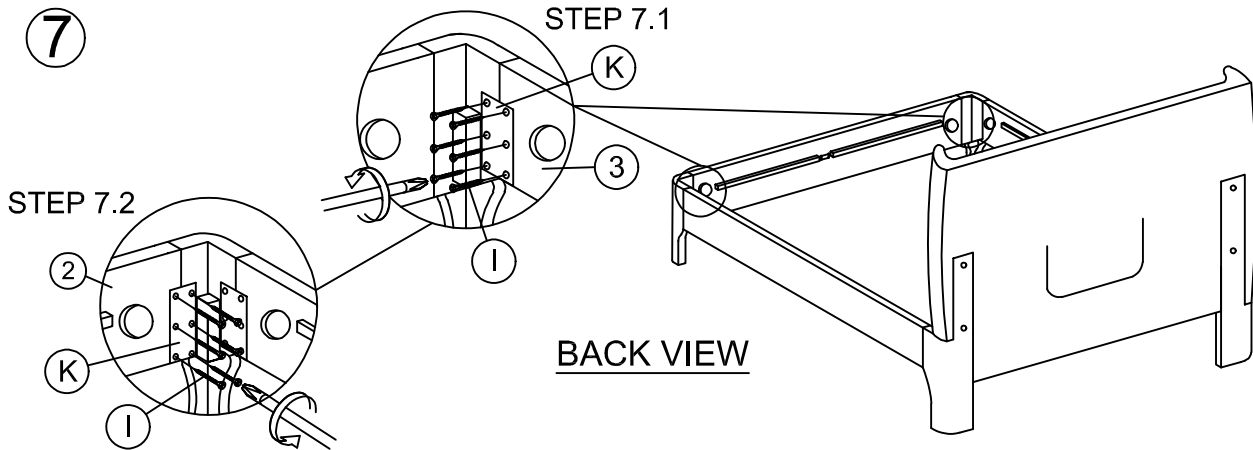
www.MeridianFurnitureUSA.com | support@meridianfurnitureusa.com

ASSEMBLY INSTRUCTION

meridian.
furniture

VENTURA FULL

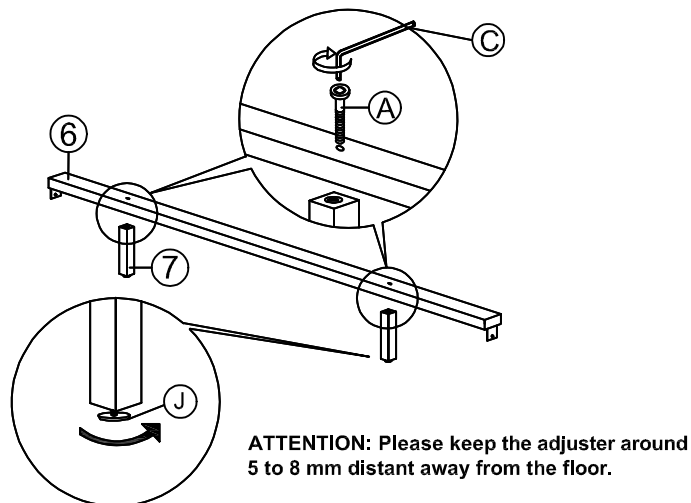
7



BACK VIEW

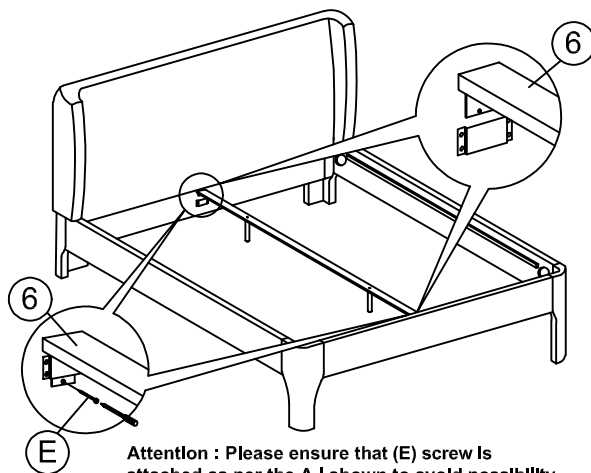
Attention : Make sure metal plate at bottom side rail and footboard bottom !

8



ATTENTION: Please keep the adjuster around 5 to 8 mm distant away from the floor.

9



Attention : Please ensure that (E) screw is attached as per the A.I shown to avoid possibility of base collapsing.

NOTE: For questions about parts or assembly please email support@meridianfurnitureusa.com or call us at 718-7584455

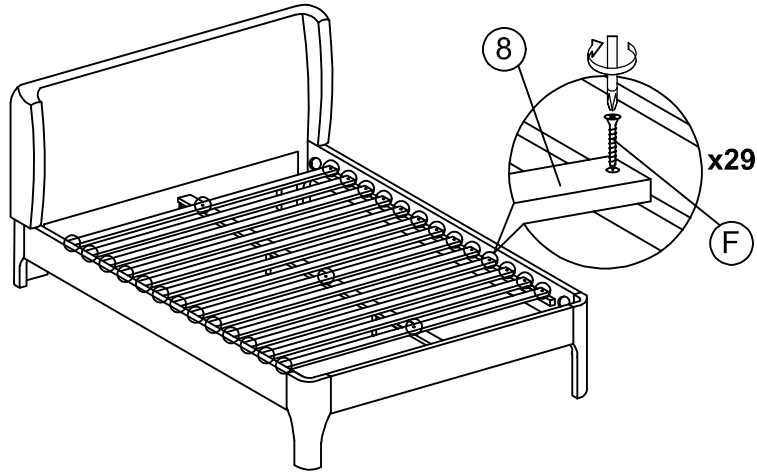
www.MeridianFurnitureUSA.com | support@meridianfurnitureusa.com

ASSEMBLY INSTRUCTION

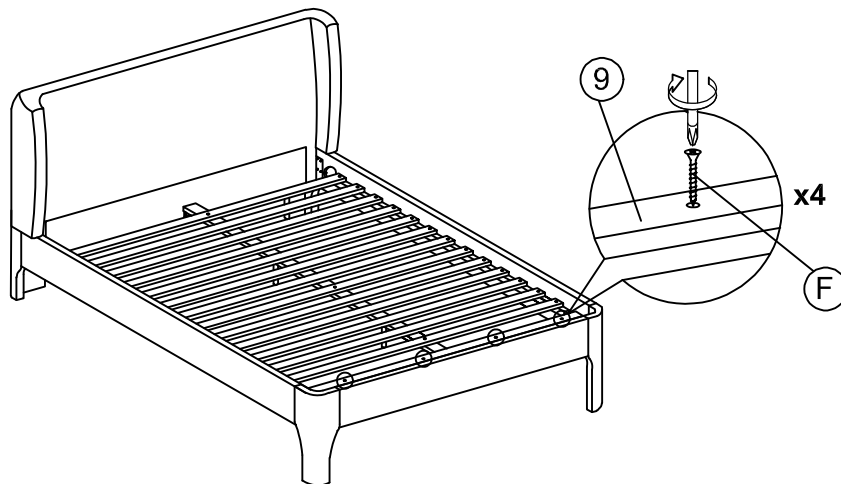
meridian.
furniture

VENTURA FULL

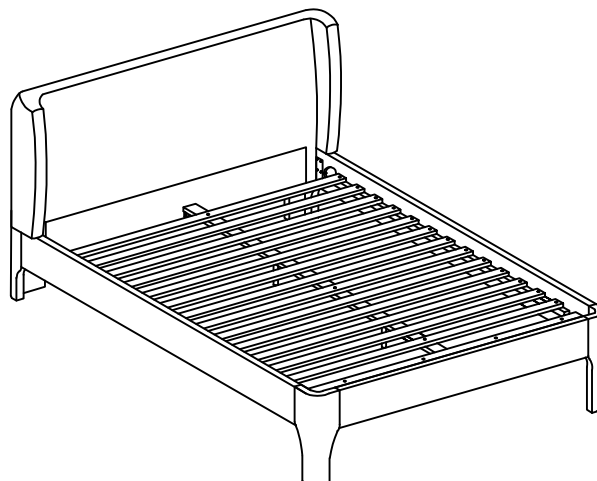
10



11



12



NOTE: For questions about parts or assembly please email support@meridianfurnitureusa.com or call us at 718-7584455

www.MeridianFurnitureUSA.com | support@meridianfurnitureusa.com