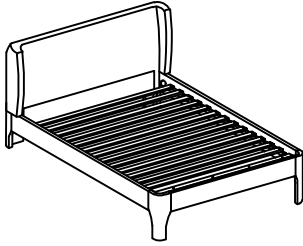


ASSEMBLY INSTRUCTION **meridian.** furniture

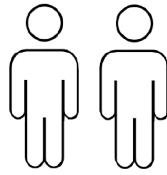
VENTURA TWIN



+ Do Not Use Power Tools



+ Suggested Adults



NOTE: For questions about parts or assembly please email support@meridianfurnitureusa.com or call us at 718-758-4455.

- 1 Read instructions cover to cover.
- 2 Save all packaging until assembly is completed.

1 **IMPORTANT SAFETY INFORMATION**

Do not assemble the product if any of the following parts arrived damaged:

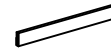
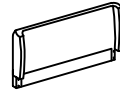
- Part # - Side Rails
- Part # - Center Support Bar
- Part # - Support Legs
- Part # - Slats

2 **IMPORTANT ASSEMBLY INFORMATION**

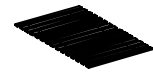
Assembly Step Ensure the side rail bracket is fully hooked onto bolt loosely threaded with both washers on the **OUTSIDE** of the bracket first, then proceed to fully tightening all 4 corners.

+ Parts Included

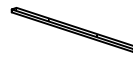
- | | | |
|--------------------------|--------------------------|---------------------------|
| ① Headboard
(1 of pc) | ② Footboard
(1 of pc) | ③ Side Rail
(2 of pcs) |
|--------------------------|--------------------------|---------------------------|



- | | | |
|-------------------------------------|-------------------------------|-----------------------------|
| ④ Headboard Leg (L/R)
(2 of pcs) | ⑤ Footboard Leg
(2 of pcs) | ⑥ 13 Pcs Slat
(1 of set) |
|-------------------------------------|-------------------------------|-----------------------------|

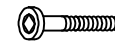


- ⑦ Top Slat
(1 of pc)

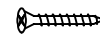


+ Hardware Included

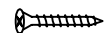
- | | | |
|---------------------------------|---------------------------------|---------------------------------------|
| A JCBC
M6x40mm
(4 of pcs) | B JCBC
M6x50mm
(6 of pcs) | C Allen Key
M4 x 65mm
(1 of pc) |
|---------------------------------|---------------------------------|---------------------------------------|



- | | | |
|-----------------------------------------|-----------------------------------|-------------------------|
| D Plastic Dowell
25mm
(12 of pcs) | E CSK
M4 x 32mm
(30 of pcs) | F Cap Nut
(6 of pcs) |
|-----------------------------------------|-----------------------------------|-------------------------|



- | | | |
|--------------------------------|-----------------------------|-------------------------------------|
| G Spring Washer
(10 of pcs) | H Flat Washer
(4 of pcs) | I CSK
M3.5 x 16mm
(36 of pcs) |
|--------------------------------|-----------------------------|-------------------------------------|



- J Metal Plate
(6 of pcs)

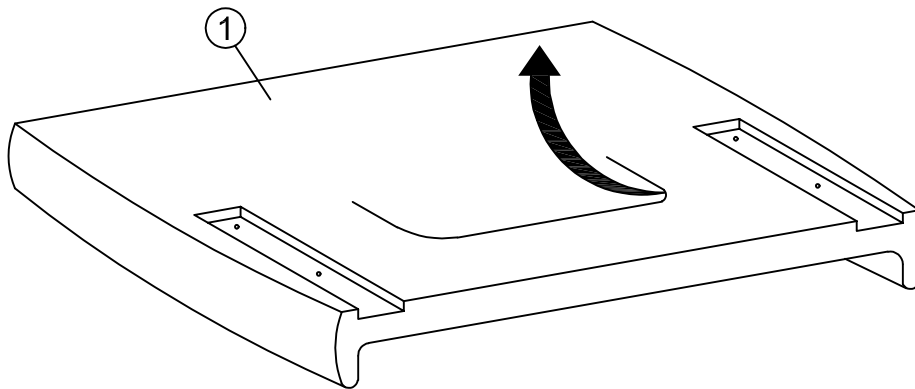


ASSEMBLY INSTRUCTION

meridian.
furniture

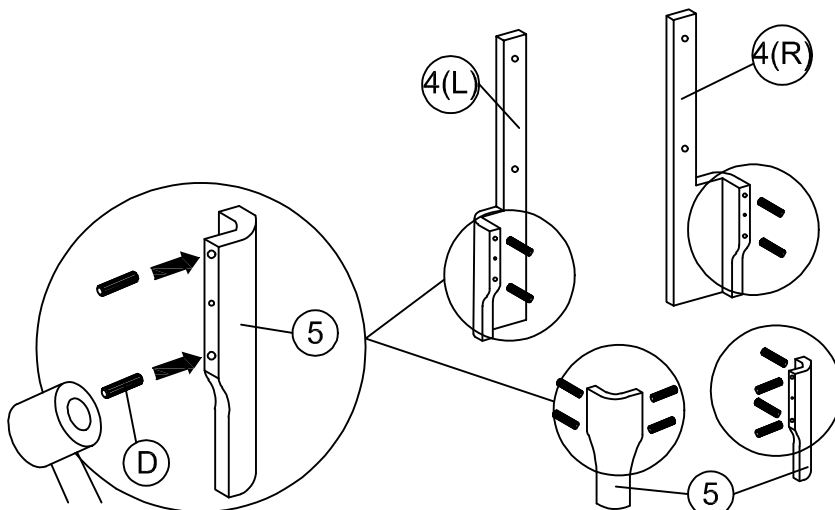
VENTURA TWIN

1



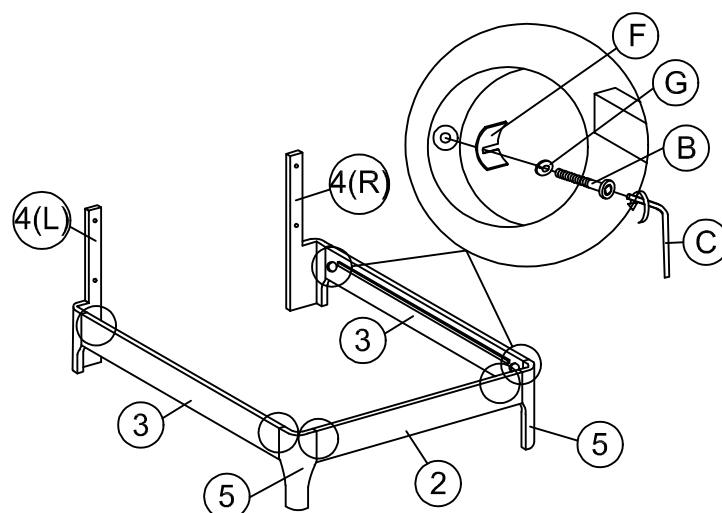
BACK VIEW

2



FRONT VIEW

3



FRONT VIEW

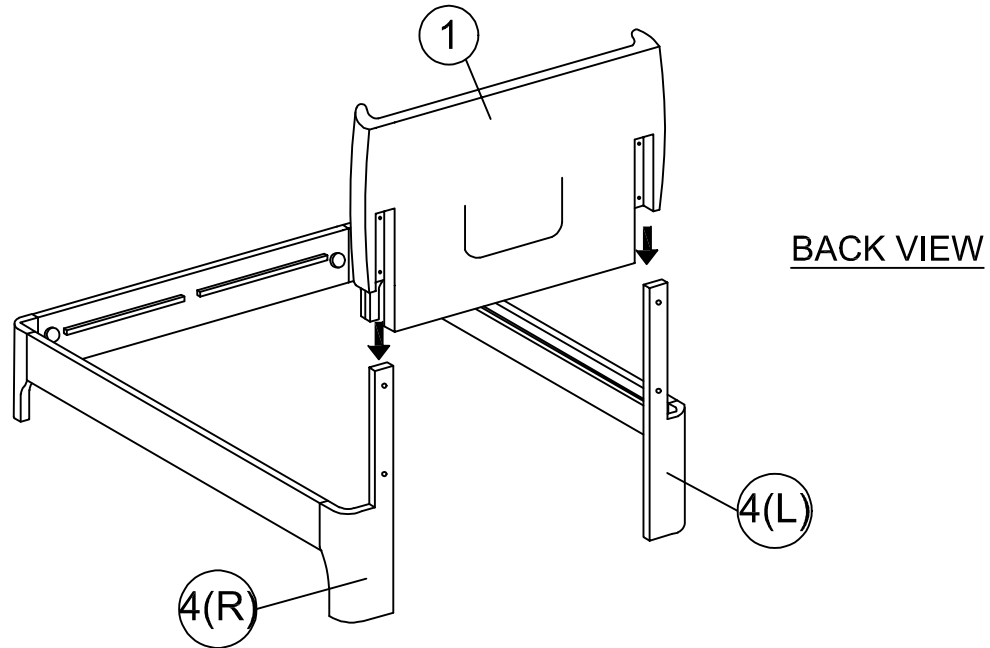
NOTE: For questions about parts or assembly please email

ASSEMBLY INSTRUCTION

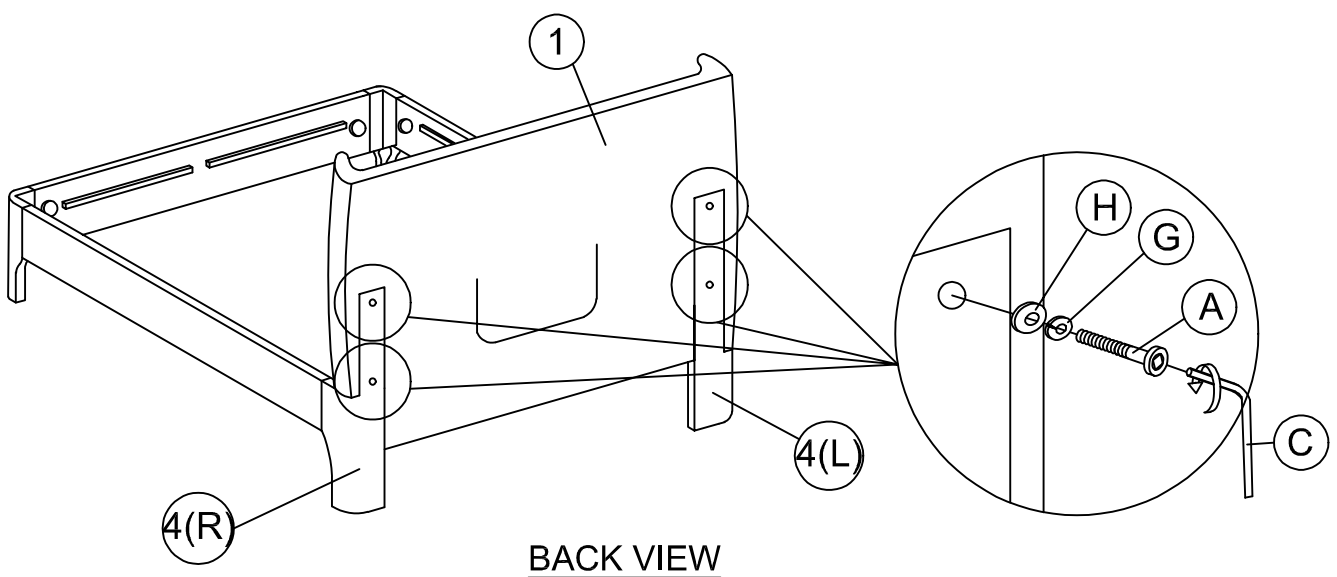
meridian.
furniture

VENTURA TWIN

4



5



NOTE: For questions about parts or assembly please email support@meridianfurnitureusa.com or call us at 718-7584455

www.MeridianFurnitureUSA.com | support@meridianfurnitureusa.com

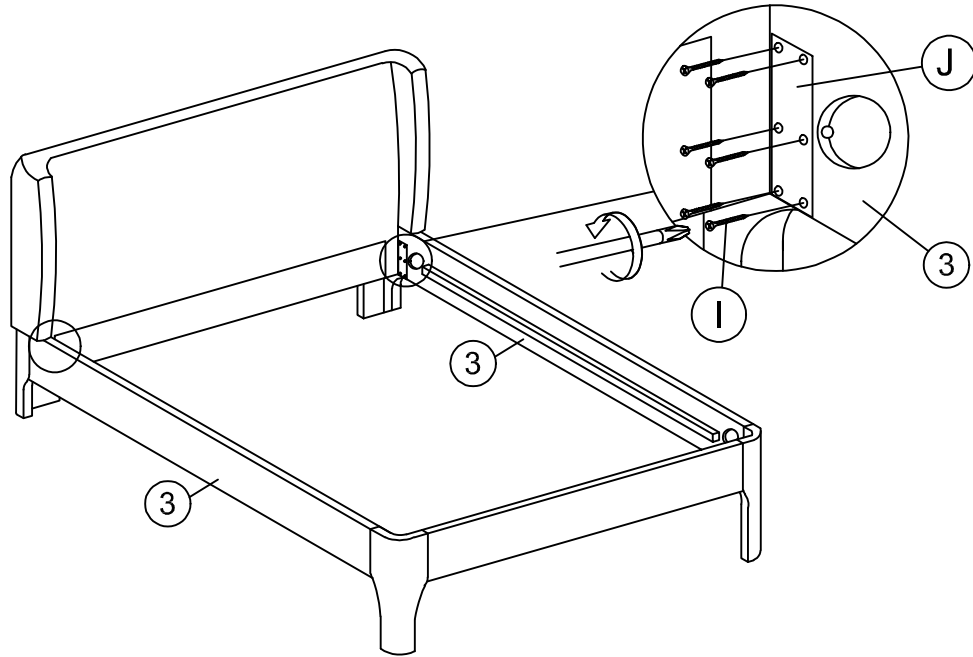
ASSEMBLY INSTRUCTION

meridian.
furniture

VENTURA TWIN

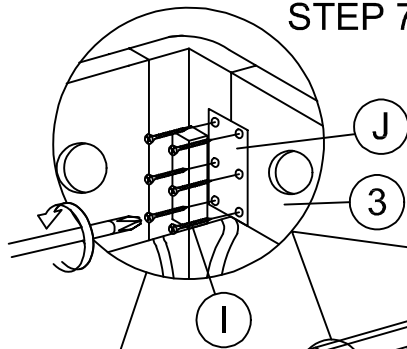
6

Attention : Make sure metal plate at bottom side rail and headboard bottom !

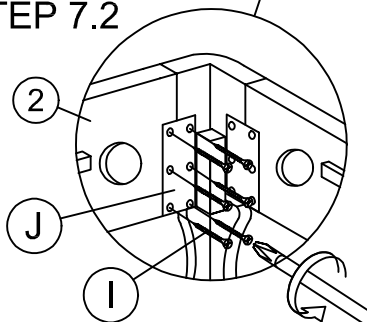


7

STEP 7.1



STEP 7.2



BACK VIEW

Attention : Make sure metal plate at bottom side rail and footboard bottom !

NOTE: For questions about parts or assembly please email
support@meridianfurnitureusa.com or call us at 718-7584455

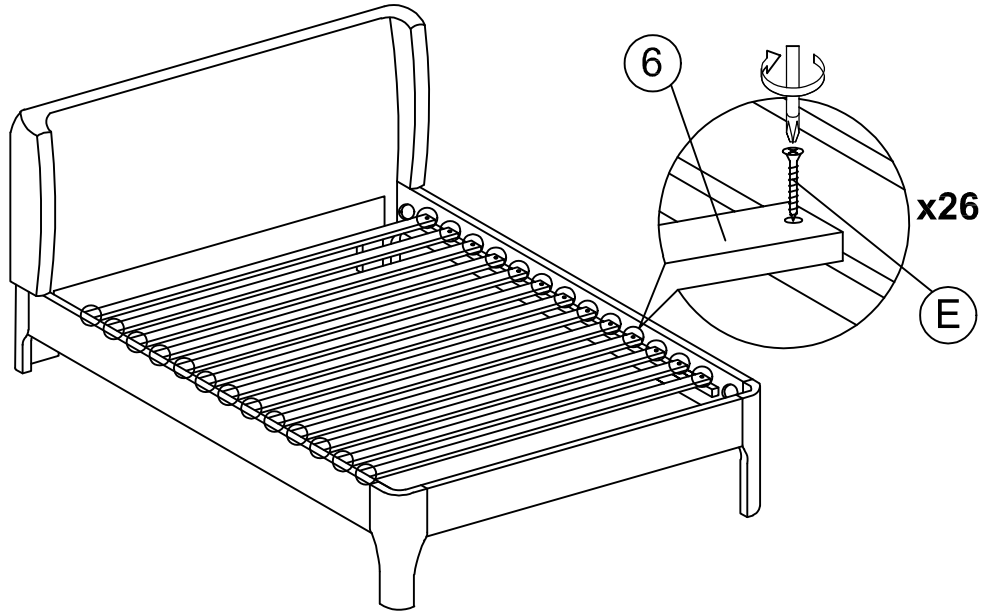
www.MeridianFurnitureUSA.com | support@meridianfurnitureusa.com

ASSEMBLY INSTRUCTION

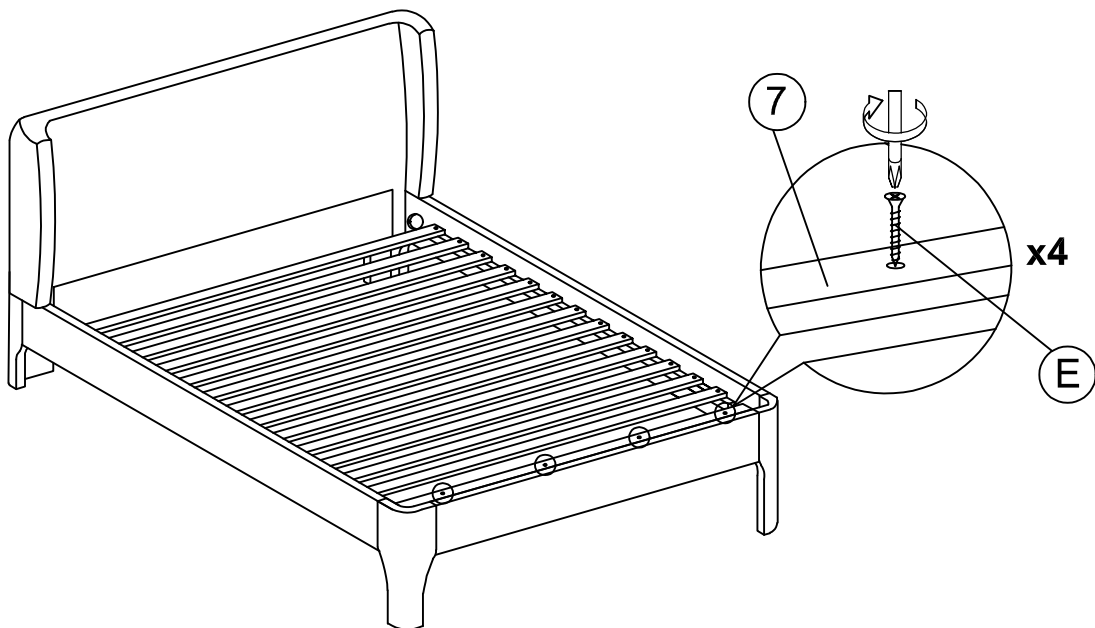
meridian.
furniture

VENTURA TWIN

8



9



NOTE: For questions about parts or assembly please email support@meridianfurnitureusa.com or call us at 718-7584455

www.MeridianFurnitureUSA.com | support@meridianfurnitureusa.com