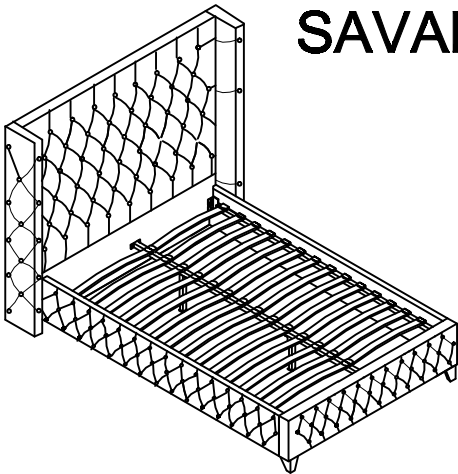


# ASSEMBLY INSTRUCTIONS

## SAVAN BED - QUEEN

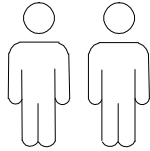
**meridian.**  
furniture



+ Do Not Use Power Tools



+ Suggested Adults

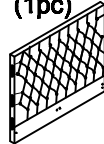


**NOTE:** For questions about parts or assembly please email [support@meridianfurnitureusa.com](mailto:support@meridianfurnitureusa.com) or call us at 718-758-4455.

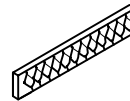
- 1 Read instructions cover to cover.
- 2 Save all packaging until assembly is completed.

### + Parts Included

① Head Board (1pc)



② Foot Board (1pc)



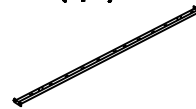
③ Side Rails (2pcs)



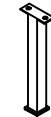
④ Double Plastic cap (15pcs)



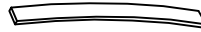
⑤ Center Support Bar (1pc)



⑥ Support Legs (2pcs)



⑦ Slats (30pcs)



⑧ Single Plastic cap (30pcs)



⑨ Legs (4pcs)



\*Slats come packed in the bottom of headboard carton.

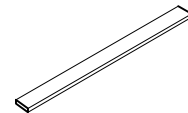
⑩ Left wing (1pc)



⑪ Right wing (1pc)



⑫ Slats (1pc)



### 1 IMPORTANT SAFETY INFORMATION

Do not assemble the product if any of the following parts arrived damaged:

- Part #③ -Side Rails
- Part #⑤ -Center Support Bar
- Part #⑥ -Support Legs
- Part #⑦ -Slats

### 2 IMPORTANT ASSEMBLY INFORMATION

Assembly Step ③ Ensure the side rail bracket is fully hooked onto bolt A loosely threaded with both washers on the OUTSIDE of the bracket first, then proceed to fully tightening all 4 corners.

Assembly Step ⑥ When installing slats, ensure that the curve is facing upwards. (↖) (↘)  
\*Slats come packed in the bottom of headboard carton.

### + Hardware Included

A Bolt M8\*30mm (16pcs)



B Bolt M8\*75mm (6pcs)



C Bolt M6\*25mm (8pcs)



D Spring Washer (8pcs)



E Flat Washer  $\phi 20$  (24pcs)



F M8 Allen Key (1pc)



G Flat Washer  $\phi 22$  (6pcs)



H M4 Allen Key (1pc)



I Nut M8\*13mm (4pcs)



J Spanner (1pc)

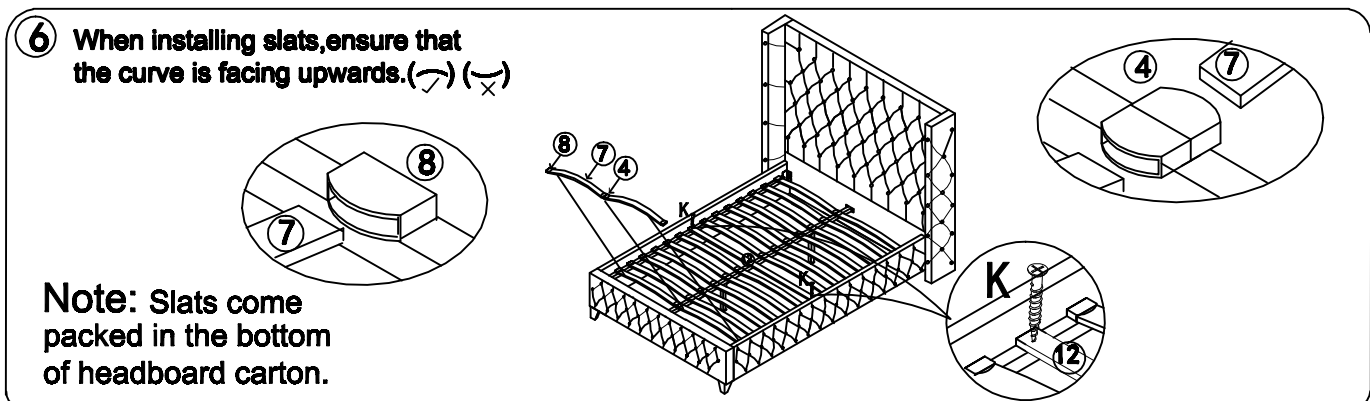
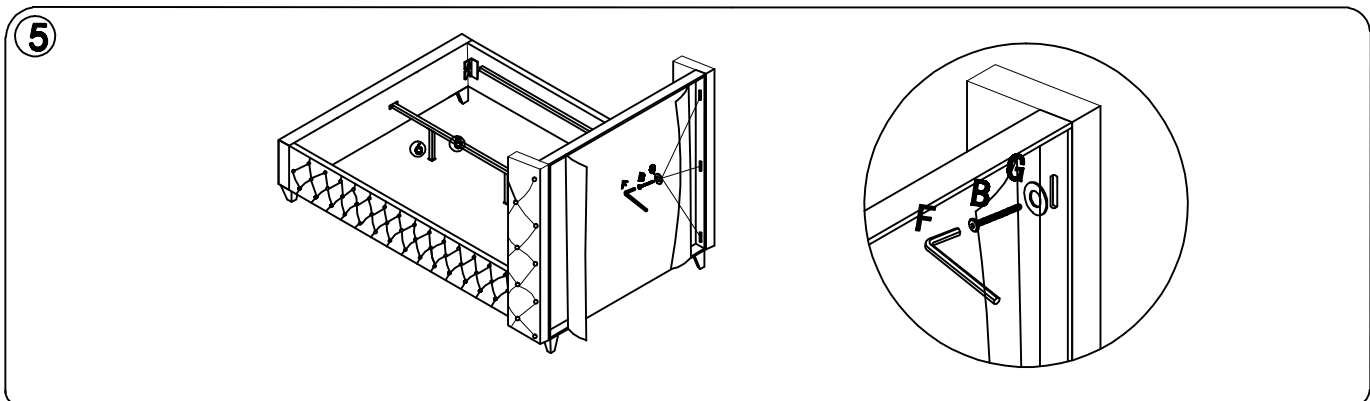
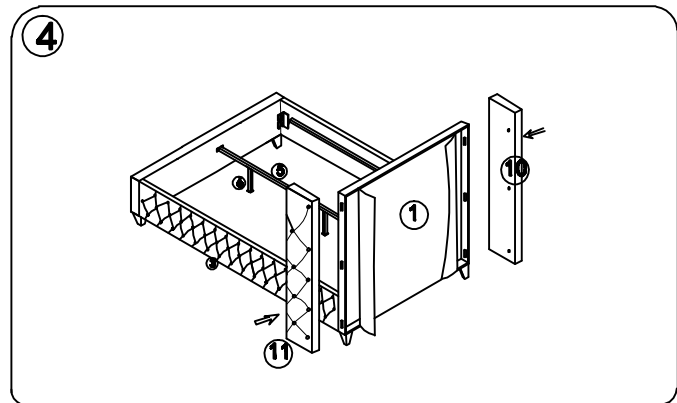
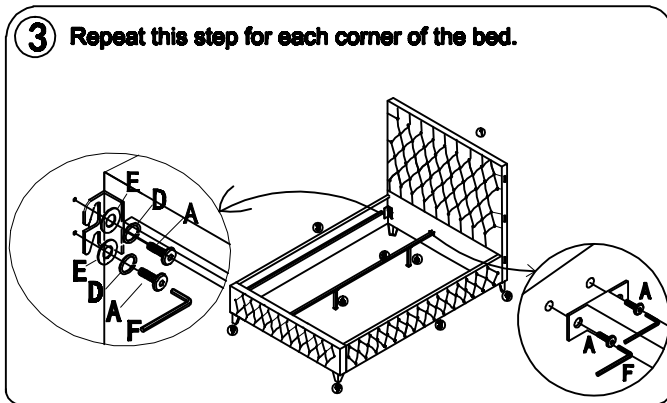
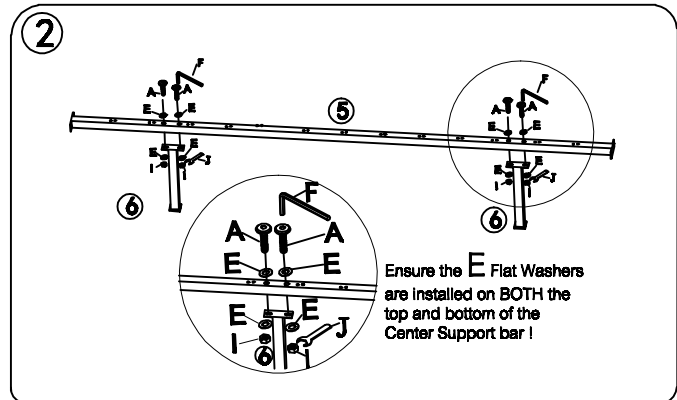
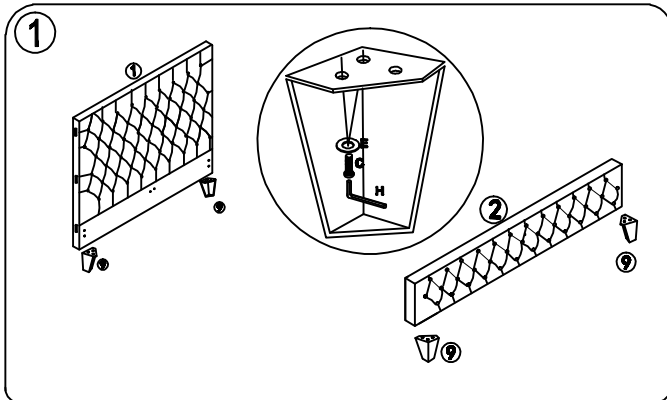


K Tapping screw M4\*35mm (2pcs)



# ASSEMBLY INSTRUCTIONS SAVAN BED - QUEEN

**meridian.**  
furniture



**NOTE:** For questions about parts or assembly please email [support@meridianfurnitureusa.com](mailto:support@meridianfurnitureusa.com) or call us at 718-758-4455.

[www.MeridianFurnitureUSA.com](http://www.MeridianFurnitureUSA.com) | [support@meridianfurnitureusa.com](mailto:support@meridianfurnitureusa.com)